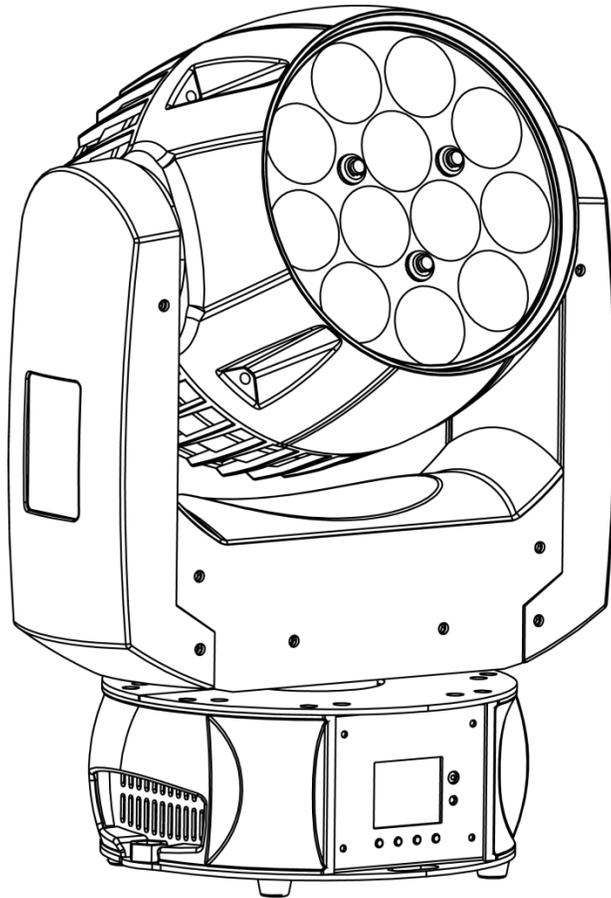

INTIMIDATOR

WASH ZOOM 450 IRC

User Manual



CHAUVET

TABLE OF CONTENTS

| | |
|--|-----------|
| 1. Before You Begin | 3 |
| What Is Included | 3 |
| Unpacking Instructions..... | 3 |
| Claims..... | 3 |
| Text Conventions..... | 3 |
| Symbols..... | 3 |
| Disclaimer..... | 3 |
| Safety Notes | 4 |
| 2. Introduction | 5 |
| Product Overview | 5 |
| Product Dimensions..... | 6 |
| 3. Setup | 7 |
| AC Power..... | 7 |
| Fuse Replacement..... | 7 |
| Power Linking..... | 7 |
| Mounting | 8 |
| Orientation | 8 |
| Rigging | 8 |
| 4. Operation | 9 |
| Control Panel Operation | 9 |
| Menu Map..... | 9 |
| Configuration (DMX) | 10 |
| Starting Address | 10 |
| DMX Personalities | 10 |
| DMX Channel Assignments and Values | 11 |
| Intimidator Wash Zoom 450 IRC Zones of Control | 11 |
| 29CH | 11 |
| 14CH | 15 |
| Configuration (Standalone)..... | 18 |
| Automatic Mode..... | 18 |
| Sound-Active Mode | 18 |
| Sound Sensitivity..... | 18 |
| Pan/Tilt Orientation..... | 19 |
| Pan/Tilt Angle Range..... | 19 |
| Pan/Tilt Speed | 19 |
| Dimmer Curve | 19 |
| Dimmer Speed..... | 19 |
| Color Balance | 20 |
| Display Timeout..... | 20 |
| Display Orientation | 20 |
| Fans..... | 20 |
| Reset | 20 |
| Load Factory Defaults..... | 20 |
| System Info..... | 20 |
| IR Mode | 21 |
| IRC-6 Operation..... | 21 |
| Master/Slave Mode..... | 22 |
| 5. Maintenance | 23 |
| Product Maintenance | 23 |
| 6. Technical Specifications | 24 |
| Returns | 25 |
| Contact Us | 26 |

1. BEFORE YOU BEGIN

What Is Included

- Intimidator Wash Zoom 450 IRC
- Hanging Bracket with Mounting Hardware
- Power Cord
- Quick Reference Guide

Unpacking Instructions

Carefully unpack the product immediately and check the container to make sure all the parts are in the package and are in good condition.

Claims

If the box or the contents (the product and included accessories) appear damaged from shipping, or show signs of mishandling, notify the carrier immediately, not Chauvet. Failure to report damage to the carrier immediately may invalidate your claim. In addition, keep the box and contents for inspection.

For other issues, such as missing components or parts, damage not related to shipping, or concealed damage, file a claim with Chauvet within 7 days of delivery.

Text Conventions

| Convention | Meaning |
|-----------------|--|
| 1—512 | A range of values |
| 50/60 | A set of values of which only one can be chosen |
| Settings | A menu option not to be modified |
| Menu > Settings | A sequence of menu options to be followed |
| <ENTER> | A key to be pressed on the product's control panel |
| ON | A value to be entered or selected |

Symbols

| Symbol | Meaning |
|---|---|
|  | Critical installation, configuration, or operation information. Not following these instructions may make the product not work, cause damage to the product, or cause harm to the operator. |
|  | Important installation or configuration information. The product may not function correctly if this information is not used. |
|  | Useful information. |

Disclaimer

Chauvet believes that the information contained in this manual is accurate in all respects. However, Chauvet assumes no responsibility and specifically disclaims any and all liability to any party for any loss, damage or disruption caused by any errors or omissions in this document, whether such errors or omissions result from negligence, accident or any other cause. Chauvet reserves the right to revise the content of this document without any obligation to notify any person or company of such revision, however, Chauvet has no obligation to make, and does not commit to make, any such revisions. Download the latest version from www.chauvetlighting.com.

The works of authorship contained in this manual, including, but not limited to, all design, text and images are owned by Chauvet.

© Copyright 2020 Chauvet & Sons, Inc. All rights reserved.

Electronically published by Chauvet in the United States of America.

CHAUVET, the Chauvet logo, Intimidator Wash Zoom 450 IRC, and Intimidator Wash Zoom are registered trademarks or trademarks of Chauvet & Sons Inc. (d/b/a Chauvet and Chauvet Lighting) in the United States and other countries. Other company and product names and logos referred to herein may be trademarks of their respective companies.

Safety Notes

Please read the following Safety Notes carefully before working with the product. The Notes include important safety information about installation, usage, and maintenance.



- Always connect the product to a grounded circuit to avoid the risk of electrocution.
- Always disconnect the product from the power source before cleaning or replacing the fuse.
- Avoid direct eye exposure to the light source while the product is on.
- Make sure the power cord is not crimped or damaged.
- Never disconnect the product from power cord by pulling or tugging on the cord.
- If mounting the product overhead, always secure to a fastening device using a safety cable.
- Make sure there are no flammable materials close to the product when operating.
- Do not touch the product's housing when operating because it may be very hot.



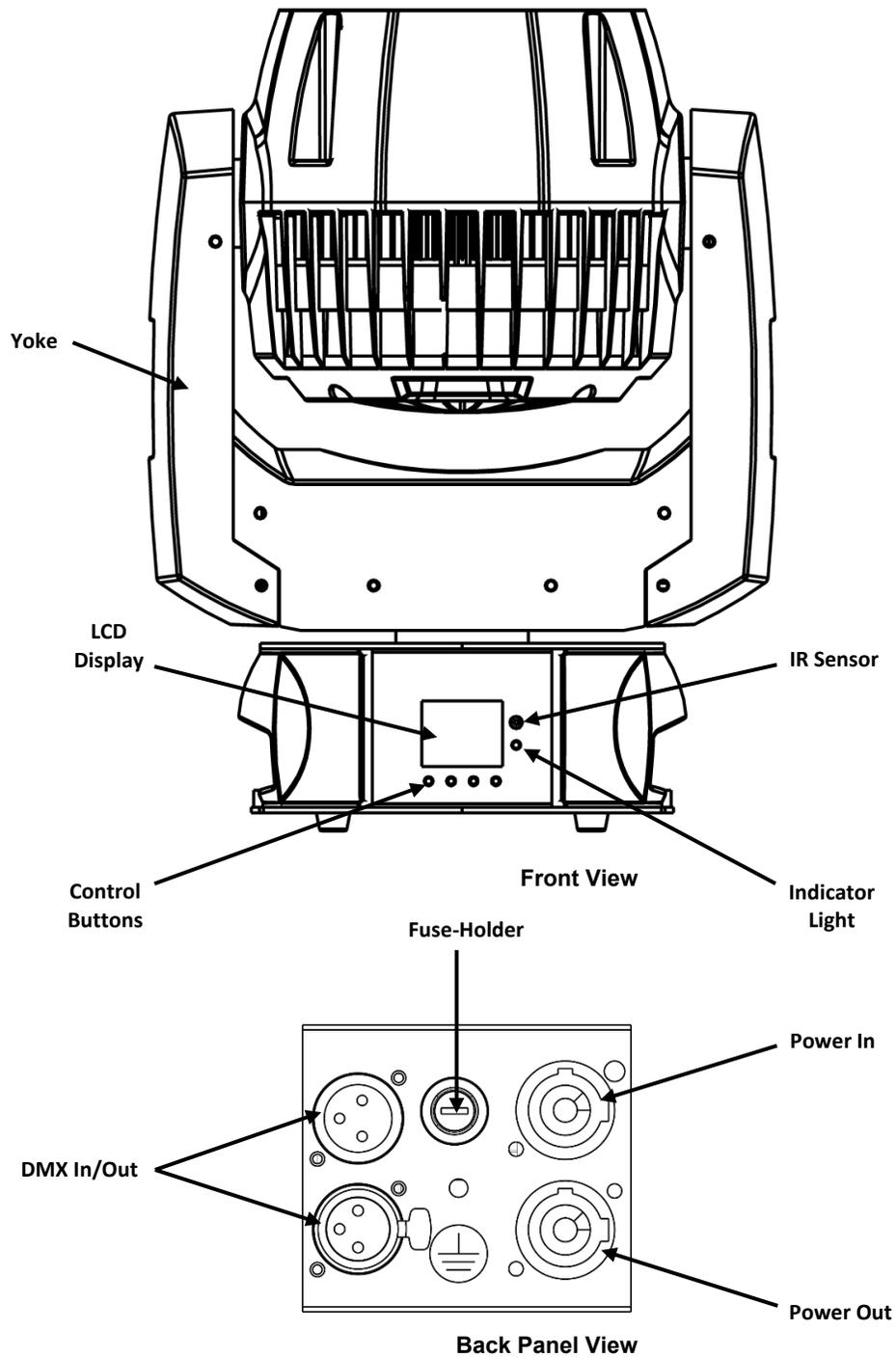
- Always make sure that the voltage of the outlet to which you are connecting the product is within the range stated on the decal or rear panel of the product.
- The product is for indoor use only! (IP20) To prevent risk of fire or shock, do not expose the product to rain or moisture.
- Always install the product in a location with adequate ventilation, at least 20 in (50 cm) from adjacent surfaces.
- Be sure that no ventilation slots on the product's housing are blocked.
- Never connect the product to a dimmer.
- Make sure to replace the fuse with another of the same type and rating.
- Never carry the product from the power cord or any moving part. Always use the hanging/mounting bracket.
- The maximum ambient temperature (Ta) is 104 °F (40 °C). Do not operate the product at higher temperatures.
- In the event of a serious operating problem, stop using the product immediately.
- Never try to repair the product. Repairs carried out by unskilled people can lead to damage or malfunction. Please contact the nearest authorized technical assistance center.
- To eliminate unnecessary wear and improve its lifespan, during periods of non-use completely disconnect the product from power via breaker or by unplugging it.



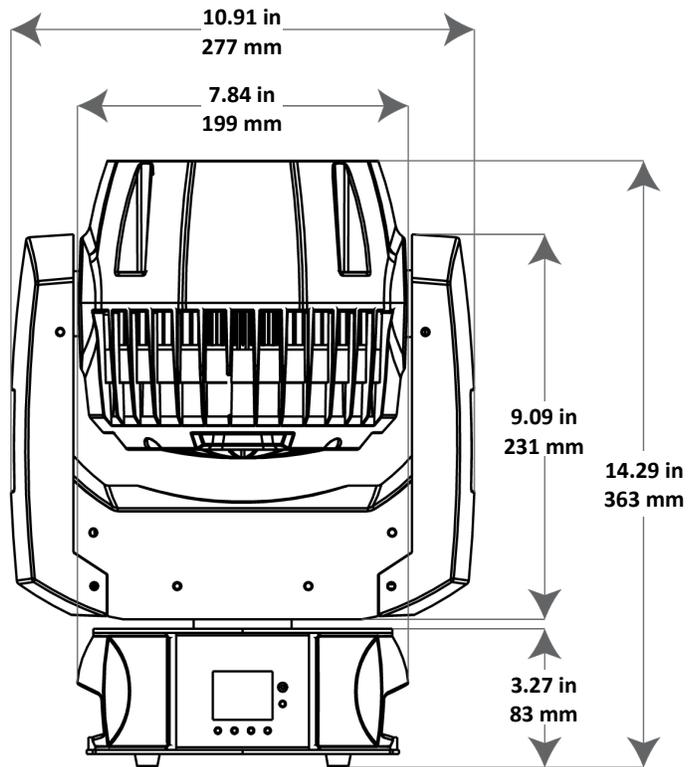
Keep this User Manual for future use. If you sell the product to someone else, be sure that they also receive this document.

2. INTRODUCTION

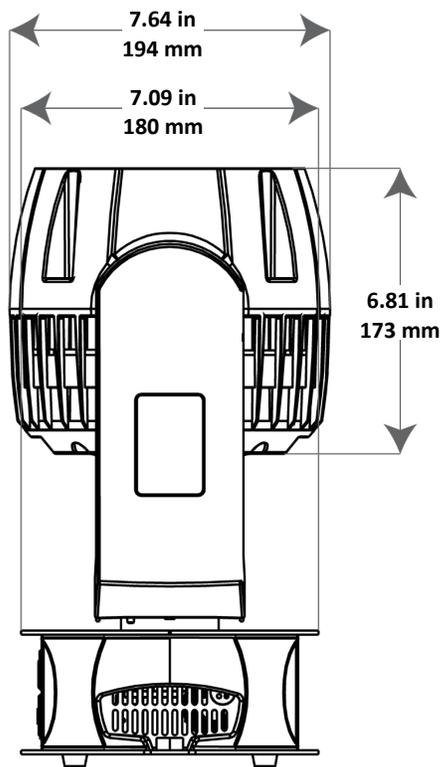
Product Overview



Product Dimensions



Front View



Side View

3. SETUP

AC Power

The Intimidator Wash Zoom 450 IRC has an auto-ranging power supply and it can work with an input voltage range of 100 to 240 VAC, 50/60 Hz. To determine the product's power requirements (circuit breaker, power outlet, and wiring), use the current value listed on the label affixed to the product's back panel, or refer to the product's specifications chart. The listed current rating indicates the product's average current draw under normal conditions.



- **Always connect the product to a protected circuit (circuit breaker or fuse). Make sure the product has an appropriate electrical ground to avoid the risk of electrocution or fire.**
- **To eliminate unnecessary wear and improve its lifespan, during periods of non-use completely disconnect the product from power via breaker or by unplugging it.**



Never connect the product to a rheostat (variable resistor) or dimmer circuit, even if the rheostat or dimmer channel serves only as a 0 to 100% switch.

Fuse Replacement

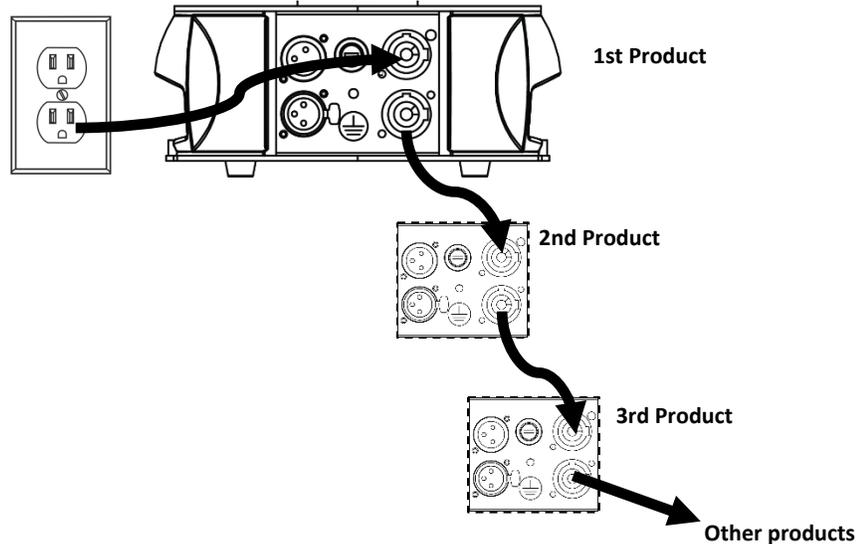
1. Disconnect the product from power.
2. Using a flat-head screwdriver, unscrew the fuse holder cap from the housing.
3. Remove the blown fuse.
4. Replace with a fuse of the same type and rating.
5. Screw the fuse holder cap back in place and reconnect power.



- **Disconnect the product from the power outlet before replacing the fuse.**
- **Always replace a blown fuse with another of the same type and rating.**

Power Linking

The product provides power linking via the powerCON®-compatible outlet located in the back of the product. Please see the diagram below for further explanation.



Power Linking Diagram

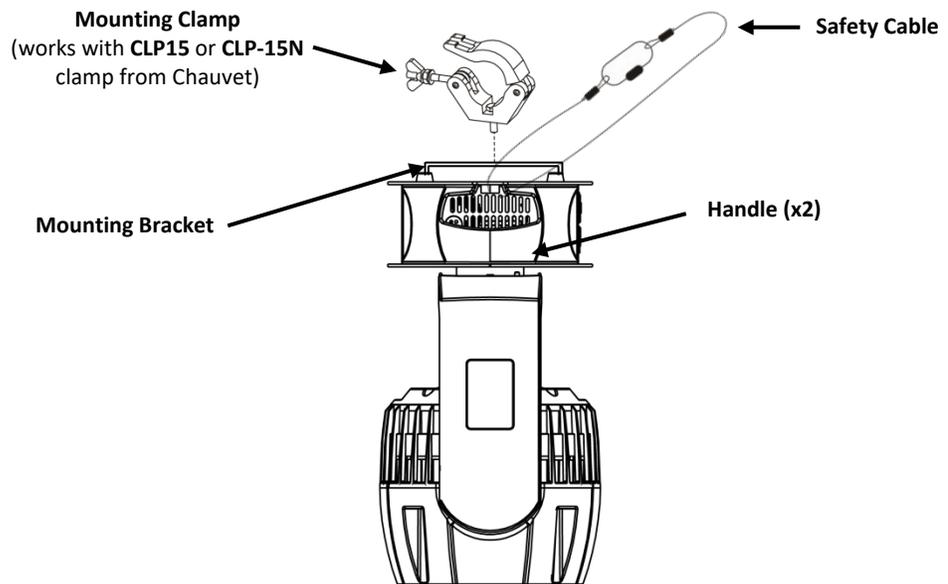


You can power link up to 4 Intimidator Wash Zoom 450 IRC products on 120 VAC or up to 8 Intimidator Wash Zoom 450 IRC products on 230 VAC.

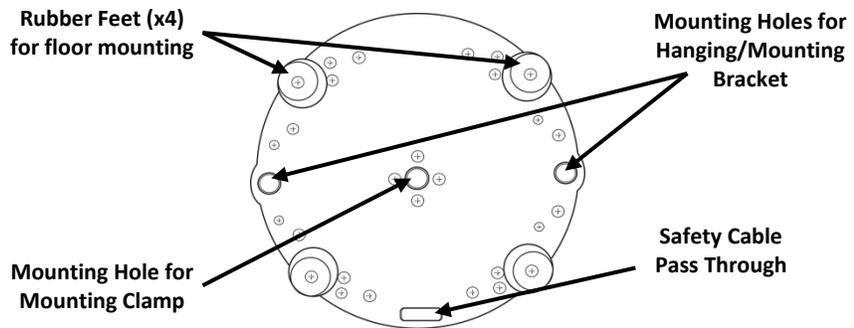
Mounting Before mounting the product, read and follow the safety recommendations indicated in the [Safety Notes](#).

Orientation The Intimidator Wash Zoom 450 IRC may be mounted in any position; however, make sure adequate ventilation is provided around the product.

- Rigging**
- Before deciding on a location for the product, always make sure there is easy access to the product for maintenance and programming purposes.
 - Make sure that the structure or surface onto which you are mounting the product can support the product's weight. See the [Technical Specifications](#) for weight information. The CLP-15 clamp from Chauvet is appropriate for this product.
 - When mounting the product overhead, always use a safety cable. Mount the product securely to a rigging point, whether an elevated platform or a truss.
 - When rigging the product onto a truss, you should use a mounting clamp of appropriate weight capacity.
 - When power linking multiple products, you must always consider the length of the power linking cable and mount the products close enough for the cable to reach.
 - The rubber feet also serve as floor supports. When mounting the product on the floor, make sure that the product and cables are away from people and vehicles.



Mounting Diagram



When using only one mounting clamp with this fixture, you must use a clamp with a captive bolt to prevent accidental loosening.

4. OPERATION

Control Panel Operation To access the control panel functions, use the four buttons located underneath the display. Please refer to the [Product Overview](#) to see the button locations on the control panel.

| Button | Function |
|---------|---|
| <MENU> | Press to find an operation mode or to back out of the current menu option |
| <UP> | Press to scroll up the list of options or to find a higher value |
| <DOWN> | Press to scroll down the list of options or to find a lower value |
| <ENTER> | Press to activate a menu option or a selected value |

Menu Map

| Main Function | Programming Levels | | Description | |
|---------------|--------------------|------------------------------------|---|---|
| Address | 001–512 | | Sets the DMX starting address | |
| Run Mode | DMX | 14CH | Selects DMX mode | |
| | | 29CH | | |
| | Slave | Slave 1–4 | Selects slave mode | |
| | Sound | | Selects sound-active mode | |
| | Auto | | Selects auto program | |
| | IR | | Selects infrared control | |
| Setup | Pan Reverse | OFF | Normal pan operation | |
| | | ON | Reverse pan operation | |
| | Tilt Reverse | OFF | Normal tilt operation | |
| | | ON | Reverse tilt operation | |
| | Pan Angle | 540 | Selects the 540° pan angle range | |
| | | 360 | Selects the 360° pan angle range | |
| | | 180 | Selects the 180° pan angle range | |
| | Tilt Angle | 270 | Selects the 270° tilt angle range | |
| | | 180 | Selects the 180° tilt angle range | |
| | | 90 | Selects the 90° tilt angle range | |
| | P/T Speed | Normal | Selects the panning/tilting speed | |
| | | Fast | | |
| | | Slow | | |
| | Fans | Auto | Sets fan speed according to temperature | |
| | | Full | Fan speed set to full speed | |
| | Display | OFF | Display background light turns off after inactivity | |
| | | ON | Display background light stays on | |
| Screen Rev | OFF | Normal display | | |
| | ON | Reverse display | | |
| Dimmer Curve | Square | Selects the dimmer curve mode | | |
| | I Square | | | |
| | SCurve | | | |
| | Linear | | | |
| Dimmer Speed | Fast | Selects the dimmer speed | | |
| | Smooth | | | |
| Color Balance | RED | Selects color balance (100 to 255) | | |
| | GREEN | | | |
| | BLUE | | | |
| | WHITE | | | |
| Sensitivity | 001–100 | | Sets sound sensitivity | |
| Reset | | | Resets the product | |
| Factory Set | | | Loads factory defaults | |
| Sys Info | Ver VX | | | Displays the software version |
| | Running Mode XXXXX | | | Displays the current running mode |
| | DMX Address XXX | | | Displays the current DMX address |
| | Temperature XXX | | | Displays the LED temperature in Celsius |

Configuration (DMX)

Set the product in DMX mode to control with a DMX controller.

1. Connect the product to a suitable power outlet.
2. Connect a DMX cable from the DMX output of the DMX controller to the DMX input socket on the product.

Starting Address

When selecting a starting DMX address, always consider the number of DMX channels the selected DMX mode uses. If you choose a starting address that is too high, you could restrict the access to some of the product's channels.

The Intimidator Wash Zoom 450 IRC uses up to 29 DMX channels in its 29-channel DMX mode, which defines the highest configurable address to **484**.

If you are not familiar with the DMX protocol, download the DMX Primer from www.chauvetlighting.com.

To select the starting address, do the following:

1. Press **<MENU>**.
2. Use **<UP>** or **<DOWN>** to choose **Address**.
3. Press **<ENTER>**.
4. Use **<UP>** or **<DOWN>** to select the starting address.
5. Press **<ENTER>**.

DMX Personalities

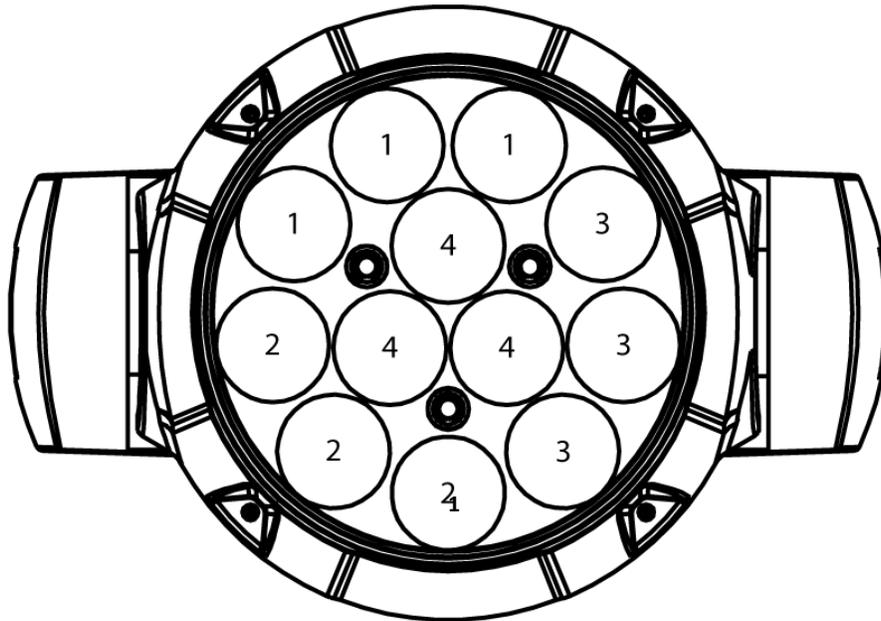
The Intimidator Wash Zoom 450 IRC has two DMX personalities, a 29-channel personality and a 14-channel personality.

To choose which DMX personality to use, follow the steps below:

1. Press **<MENU>**.
2. Use **<UP>** or **<DOWN>** to choose **Run Mode**.
3. Press **<ENTER>**.
4. Use **<UP>** or **<DOWN>** to select **DMX**.
5. Press **<ENTER>**.
6. Use **<UP>** or **<DOWN>** to choose either **29CH** (to choose the 29-channel personality) or **14CH** (to choose the 14-channel personality).
7. Press **<ENTER>**.

DMX Channel Assignments and Values

Intimidator Wash Zoom 450 IRC Zones of Control



| 29CH | Channel | Function | Value | Percent/Setting | |
|------|---------|-----------|-----------|-------------------------------|--------|
| | 1 | Pan | 000 ⇄ 255 | 0–540° | |
| | 2 | Fine Pan | 000 ⇄ 255 | Fine control of pan | |
| | 3 | Tilt | 000 ⇄ 255 | 0–270° | |
| | 4 | Fine Tilt | 000 ⇄ 255 | Fine control of tilt | |
| | 5 | Speed | 000 ⇄ 255 | Pan/Tilt speed (fast to slow) | |
| | 6 | Red | 000 ⇄ 255 | 0–100% | Zone 1 |
| | 7 | Green | 000 ⇄ 255 | 0–100% | |
| | 8 | Blue | 000 ⇄ 255 | 0–100% | |
| | 9 | White | 000 ⇄ 255 | 0–100% | |
| | 10 | Red | 000 ⇄ 255 | 0–100% | Zone 2 |
| | 11 | Green | 000 ⇄ 255 | 0–100% | |
| | 12 | Blue | 000 ⇄ 255 | 0–100% | |
| | 13 | White | 000 ⇄ 255 | 0–100% | |
| | 14 | Red | 000 ⇄ 255 | 0–100% | Zone 3 |
| | 15 | Green | 000 ⇄ 255 | 0–100% | |
| | 16 | Blue | 000 ⇄ 255 | 0–100% | |
| | 17 | White | 000 ⇄ 255 | 0–100% | |
| | 18 | Red | 000 ⇄ 255 | 0–100% | Zone 4 |
| | 19 | Green | 000 ⇄ 255 | 0–100% | |
| | 20 | Blue | 000 ⇄ 255 | 0–100% | |
| | 21 | White | 000 ⇄ 255 | 0–100% | |

29CH
(cont.)

| Channel | Function | Value | Percent/Setting |
|-----------|---|-----------|-----------------|
| 22 | Colors | 000 ⇔ 004 | No function |
| | | 005 ⇔ 009 | Color 1 |
| | | 010 ⇔ 014 | Color 2 |
| | | 015 ⇔ 019 | Color 3 |
| | | 020 ⇔ 024 | Color 4 |
| | | 025 ⇔ 029 | Color 5 |
| | | 030 ⇔ 034 | Color 6 |
| | | 035 ⇔ 039 | Color 7 |
| | | 040 ⇔ 044 | Color 8 |
| | | 045 ⇔ 049 | Color 9 |
| | | 050 ⇔ 054 | Color 10 |
| | | 055 ⇔ 059 | Color 11 |
| | | 060 ⇔ 064 | Color 12 |
| | | 065 ⇔ 069 | Color 13 |
| | | 070 ⇔ 074 | Color 14 |
| | | 075 ⇔ 079 | Color 15 |
| | | 080 ⇔ 084 | Color 16 |
| | | 085 ⇔ 089 | Color 17 |
| | | 090 ⇔ 094 | Color 18 |
| | | 095 ⇔ 099 | Color 19 |
| | | 100 ⇔ 104 | Color 20 |
| | | 105 ⇔ 109 | Color 21 |
| | | 110 ⇔ 114 | Color 22 |
| | | 115 ⇔ 119 | Color 23 |
| | | 120 ⇔ 124 | Color 24 |
| | | 125 ⇔ 129 | Color 25 |
| | | 130 ⇔ 134 | Color 26 |
| | | 135 ⇔ 139 | Color 27 |
| | | 140 ⇔ 144 | Color 28 |
| | | 145 ⇔ 149 | Color 29 |
| | | 150 ⇔ 154 | Color 30 |
| | | 155 ⇔ 159 | Color 31 |
| | | 160 ⇔ 164 | Color 32 |
| | | 165 ⇔ 169 | Color 33 |
| 170 ⇔ 174 | Color 34 | | |
| 175 ⇔ 179 | No function | | |
| 180 ⇔ 201 | Clockwise color change (fast to slow) | | |
| 202 ⇔ 207 | Stop (color stays in the current color) | | |
| 208 ⇔ 229 | Counter-clockwise color change (fast to slow) | | |
| 230 ⇔ 234 | No function | | |
| 235 ⇔ 249 | Color jump (fast to slow) | | |
| 250 ⇔ 255 | Sound-Active colors | | |

29CH
(cont.)

| Channel | Function | Value | Percent/Setting |
|-----------|-------------------------------------|---------|--|
| 23 | Built in Control | 000⇔015 | No function |
| | | 016⇔031 | Zone macro 1 |
| | | 032⇔047 | Zone macro 2 |
| | | 048⇔063 | Zone macro 3 |
| | | 064⇔079 | Zone macro 4 |
| | | 080⇔095 | Zone macro 5 |
| | | 096⇔111 | Zone macro 6 |
| | | 112⇔127 | Zone macro 7 (zone macros 1–6) |
| | | 128⇔143 | Built-in Auto 1 |
| | | 144⇔159 | Built-in Auto 2 |
| | | 160⇔175 | Built-in Auto 3 |
| | | 176⇔191 | Built-in Auto 4 |
| | | 192⇔207 | Built-in Auto 5 |
| | | 208⇔223 | Built-in Auto 6 |
| | | 224⇔239 | Built-in Auto 7 |
| 240⇔255 | Built-in Auto 8 (built-in auto 1–7) | | |
| 24 | Built in Speed | 000⇔255 | Zone macros and built-in auto speed (slow to fast) |
| 25 | Dimmer | 000⇔255 | 0–100% |
| 26 | Shutter | 000⇔019 | Closed |
| | | 020⇔024 | Open |
| | | 025⇔064 | Strobe effect (fast to slow) |
| | | 065⇔069 | Open |
| | | 070⇔084 | Fast on, slow off (fast to slow) |
| | | 085⇔089 | Open |
| | | 090⇔104 | Slow on, fast off (fast to slow) |
| | | 105⇔109 | Open |
| | | 110⇔124 | Random shutter (fast to slow) |
| | | 125⇔129 | Open |
| | | 130⇔144 | Random fast on, slow off (fast to slow) |
| | | 145⇔149 | Open |
| | | 150⇔164 | Random slow on, fast off (fast to slow) |
| | | 165⇔169 | Open |
| | | 170⇔184 | Pulse effect 1 (fast to slow) |
| | | 185⇔189 | Open |
| | | 190⇔204 | Pulse effect 2 (fast to slow) |
| | | 205⇔209 | Open |
| | | 210⇔224 | Gradually on and off (fast to slow) |
| | | 225⇔229 | Open |
| 230⇔244 | Pulse effect 3 (fast to slow) | | |
| 245⇔255 | Open | | |
| 27 | Zoom | 000⇔255 | Zoom in and out |

29CH
(cont.)

| Channel | Function | Value | Percent/Setting |
|---------|-------------------|---------|--------------------------------|
| 28 | Control Functions | 000⇔009 | No function |
| | | 010⇔014 | Blackout while panning/tilting |
| | | 015⇔019 | No function |
| | | 020⇔049 | Reserved for future use |
| | | 050⇔054 | Reset pan |
| | | 055⇔059 | Reset tilt |
| | | 060⇔064 | Reset zoom |
| | | 065⇔069 | Reset rotation |
| | | 070⇔074 | Reset all |
| | | 075⇔079 | No function |
| | | 080⇔084 | Reverse pan/tilt |
| | | 085⇔089 | Reverse pan |
| | | 090⇔094 | Reverse tilt |
| | | 095⇔099 | Cancel reverse pan |
| | | 100⇔104 | Cancel reverse tilt |
| | | 105⇔109 | Cancel reverse pan/tilt |
| | | 110⇔114 | Pan/Tilt normal speed |
| | | 115⇔119 | Pan/Tilt fast speed |
| | | 120⇔124 | Pan/Tilt slow speed |
| | | 125⇔129 | Fan full speed |
| 130⇔134 | Fan auto speed | | |
| 135⇔139 | Dimmer fast | | |
| 140⇔144 | Dimmer smooth | | |
| 145⇔255 | No function | | |
| 29 | Movement Macros | 000⇔007 | No function |
| | | 008⇔023 | Automatic movement macro 1 |
| | | 024⇔039 | Automatic movement macro 2 |
| | | 040⇔055 | Automatic movement macro 3 |
| | | 056⇔071 | Automatic movement macro 4 |
| | | 072⇔087 | Automatic movement macro 5 |
| | | 088⇔103 | Automatic movement macro 6 |
| | | 104⇔119 | Automatic movement macro 7 |
| | | 120⇔135 | Automatic movement macro 8 |
| | | 136⇔151 | Sound-Active movement macro 1 |
| | | 152⇔167 | Sound-Active movement macro 2 |
| | | 168⇔183 | Sound-Active movement macro 3 |
| | | 184⇔199 | Sound-Active movement macro 4 |
| | | 200⇔215 | Sound-Active movement macro 5 |
| | | 216⇔231 | Sound-Active movement macro 6 |
| | | 232⇔247 | Sound-Active movement macro 7 |
| | | 248⇔255 | Sound-Active movement macro 8 |

| 14CH | Channel | Function | Value | Percent/Setting |
|-------------|----------------|-------------------------------------|--------------|--|
| | 1 | Pan | 000⇔255 | 0–540° |
| | 2 | Tilt | 000⇔255 | 0–270° |
| | 3 | Pan/Tilt Speed | 000⇔255 | Pan/Tilt speed (fast to slow) |
| | 4 | Red | 000⇔255 | 0–100% |
| | 5 | Green | 000⇔255 | 0–100% |
| | 6 | Blue | 000⇔255 | 0–100% |
| | 7 | White | 000⇔255 | 0–100% |
| | 8 | Built-in Control | 000⇔015 | No function |
| | | | 016⇔031 | Zone macro 1 |
| | | | 032⇔047 | Zone macro 2 |
| | | | 048⇔063 | Zone macro 3 |
| | | | 064⇔079 | Zone macro 4 |
| | | | 080⇔095 | Zone macro 5 |
| | | | 096⇔111 | Zone macro 6 |
| | | | 112⇔127 | Zone macro 7 (zone macros 1–6) |
| | | | 128⇔143 | Built-in Auto 1 |
| | | | 144⇔159 | Built-in Auto 2 |
| | | | 160⇔175 | Built-in Auto 3 |
| | | | 176⇔191 | Built-in Auto 4 |
| | | | 192⇔207 | Built-in Auto 5 |
| | | | 208⇔223 | Built-in Auto 6 |
| | 224⇔239 | Built-in Auto 7 | | |
| | 240⇔255 | Built-in Auto 8 (built-in auto 1–7) | | |
| | 9 | Built-in Speed | 000⇔255 | Zone macros and built-in auto speed (slow to fast) |
| | 10 | Dimmer | 000⇔255 | 0–100% |

| 14CH (cont.) | Channel | Function | Value | Percent/Setting |
|------------------------|-------------------------------|-----------------|---|------------------------|
| 11 | Shutter | 000⇔019 | Closed | |
| | | 020⇔024 | Open | |
| | | 025⇔064 | Strobe effect (fast to slow) | |
| | | 065⇔069 | Open | |
| | | 070⇔084 | Fast on, slow off (fast to slow) | |
| | | 085⇔089 | Open | |
| | | 090⇔104 | Slow on, fast off (fast to slow) | |
| | | 105⇔109 | Open | |
| | | 110⇔124 | Random shutter (fast to slow) | |
| | | 125⇔129 | Open | |
| | | 130⇔144 | Random fast on, slow off (fast to slow) | |
| | | 145⇔149 | Open | |
| | | 150⇔164 | Random slow on, fast off (fast to slow) | |
| | | 165⇔169 | Open | |
| | | 170⇔184 | Pulse effect 1 (fast to slow) | |
| | | 185⇔189 | Open | |
| | | 190⇔204 | Pulse effect 2 (fast to slow) | |
| | | 205⇔209 | Open | |
| | | 210⇔224 | Gradually on and off (fast to slow) | |
| | | 225⇔229 | Open | |
| 230⇔244 | Pulse effect 3 (fast to slow) | | | |
| 245⇔255 | Open | | | |
| 12 | Zoom | 000⇔255 | Zoom in and out | |
| 13 | Control Functions | 000⇔009 | No function | |
| | | 010⇔014 | Blackout while panning/tilting | |
| | | 015⇔019 | No function | |
| | | 020⇔049 | Reserved for future use | |
| | | 050⇔054 | Reset pan | |
| | | 055⇔059 | Reset tilt | |
| | | 060⇔064 | Reset zoom | |
| | | 065⇔069 | Reset rotation | |
| | | 070⇔074 | Reset all | |
| | | 075⇔079 | No function | |
| | | 080⇔084 | Reverse pan/tilt | |
| | | 085⇔089 | Reverse pan | |
| | | 090⇔094 | Reverse tilt | |
| | | 095⇔099 | Cancel reverse pan | |
| | | 100⇔104 | Cancel reverse tilt | |
| | | 105⇔109 | Cancel reverse pan/tilt | |
| | | 110⇔114 | Pan/Tilt normal speed | |
| | | 115⇔119 | Pan/Tilt fast speed | |
| | | 120⇔124 | Pan/Tilt slow speed | |
| | | 125⇔129 | Fan full speed | |
| 130⇔134 | Fan auto speed | | | |
| 135⇔139 | Dimmer fast | | | |
| 140⇔144 | Dimmer smooth | | | |
| 145⇔255 | No function | | | |

| 14CH (cont.) | Channel | Function | Value | Percent/Setting |
|------------------------|----------------|------------------------|--------------|-------------------------------|
| | | | 000⇔007 | No function |
| | | | 008⇔023 | Automatic movement macro 1 |
| | | | 024⇔039 | Automatic movement macro 2 |
| | | | 040⇔055 | Automatic movement macro 3 |
| | | | 056⇔071 | Automatic movement macro 4 |
| | | | 072⇔087 | Automatic movement macro 5 |
| | | | 088⇔103 | Automatic movement macro 6 |
| | | | 104⇔119 | Automatic movement macro 7 |
| | 14 | Movement Macros | 120⇔135 | Automatic movement macro 8 |
| | | | 136⇔151 | Sound-Active movement macro 1 |
| | | | 152⇔167 | Sound-Active movement macro 2 |
| | | | 168⇔183 | Sound-Active movement macro 3 |
| | | | 184⇔199 | Sound-Active movement macro 4 |
| | | | 200⇔215 | Sound-Active movement macro 5 |
| | | | 216⇔231 | Sound-Active movement macro 6 |
| | | | 232⇔247 | Sound-Active movement macro 7 |
| | | | 248⇔255 | Sound-Active movement macro 8 |

Configuration (Standalone)

Set the product in one of the standalone modes to control without a DMX controller.

- Connect the product to power.



Never connect a product that is operating in any standalone mode (Automatic, Sound-Active, or Manual) to a DMX string connected to a DMX controller. Products in standalone mode may transmit DMX signals that could interfere with the DMX signals from the controller.

Automatic Mode

To enable the Automatic mode, do the following:

1. Press **<MENU>**.
2. Use **<UP>** or **<DOWN>** to choose **Run Mode**.
3. Press **<ENTER>**.
4. Use **<UP>** or **<DOWN>** to select **Auto**.
5. Press **<ENTER>**.

Sound-Active Mode

To enable the Sound-Active mode, follow the instructions below:

1. Press **<MENU>**.
2. Use **<UP>** or **<DOWN>** to choose **Run Mode**.
3. Press **<ENTER>**.
4. Use **<UP>** or **<DOWN>** to select **Sound**.
5. Press **<ENTER>**.



The product will only respond to low frequencies of music (bass and drums).

Sound Sensitivity

To set the sound sensitivity, do the following:

1. Press **<MENU>**.
2. Use **<UP>** or **<DOWN>** to choose **Setup**.
3. Press **<ENTER>**.
4. Use **<UP>** or **<DOWN>** to select **Sensitivity**.
5. Press **<ENTER>**.
6. Use **<UP>** or **<DOWN>** to select **001-100**, low to high.
7. Press **<ENTER>**.

Pan/Tilt Orientation

To select whether the Intimidator Wash Zoom 450 IRC will operate with normal panning or inverted panning, follow the instructions below:

1. Press **<MENU>**.
2. Use **<UP>** or **<DOWN>** to choose **Setup**.
3. Press **<ENTER>**.
4. Use **<UP>** or **<DOWN>** to select **Pan Reverse**.
5. Press **<ENTER>**.
6. Use **<UP>** or **<DOWN>** to select **ON** or **OFF**.
7. Press **<ENTER>**.

To select whether the Intimidator Wash Zoom 450 IRC will operate with normal tilting or inverted tilting, do the following:

1. Press **<MENU>**.
2. Use **<UP>** or **<DOWN>** to choose **Setup**.
3. Press **<ENTER>**.
4. Use **<UP>** or **<DOWN>** to select **Tilt Reverse**.
5. Press **<ENTER>**.
6. Use **<UP>** or **<DOWN>** to select **ON** or **OFF**.
7. Press **<ENTER>**.

Pan/Tilt Angle Range

To select which pan angle range to use, follow the instructions below:

1. Press **<MENU>**.
2. Use **<UP>** or **<DOWN>** to choose **Setup**.
3. Press **<ENTER>**.
4. Use **<UP>** or **<DOWN>** to select **Pan Angle**.
5. Press **<ENTER>**.
6. Use **<UP>** or **<DOWN>** to select **540**, **360**, or **180**.
7. Press **<ENTER>**.

To select which tilt angle range to use, do the following.

1. Press **<MENU>**.
2. Use **<UP>** or **<DOWN>** to choose **Setup**.
3. Press **<ENTER>**.
4. Use **<UP>** or **<DOWN>** to select **Tilt Angle**.
5. Press **<ENTER>**.
6. Use **<UP>** or **<DOWN>** to select **240**, **180**, or **90**.
7. Press **<ENTER>**.

Pan/Tilt Speed

To set the pan/tilt speed, follow the instructions below:

1. Press **<MENU>**.
2. Use **<UP>** or **<DOWN>** to choose **Setup**.
3. Press **<ENTER>**.
4. Use **<UP>** or **<DOWN>** to select **P/T Speed**.
5. Press **<ENTER>**.
6. Use **<UP>** or **<DOWN>** to select **Normal**, **Fast**, or **Slow**.
7. Press **<ENTER>**.

Dimmer Curve

To set the dimmer curve, do the following:

1. Press **<MENU>**.
2. Use **<UP>** or **<DOWN>** to choose **Setup**.
3. Press **<ENTER>**.
4. Use **<UP>** or **<DOWN>** to select **Dimmer Curve**.
5. Press **<ENTER>**.
6. Use **<UP>** or **<DOWN>** to select **Square**, **I Squa**, **sCurve**, or **Linear**.
7. Press **<ENTER>**.

Dimmer Speed

To set the dimmer speed, follow the instructions below:

1. Press **<MENU>**.
2. Use **<UP>** or **<DOWN>** to choose **Setup**.
3. Press **<ENTER>**.
4. Use **<UP>** or **<DOWN>** to select **Dimmer Speed**.
5. Press **<ENTER>**.
6. Use **<UP>** or **<DOWN>** to select **Fast** or **Smooth**.
7. Press **<ENTER>**.

-
- Color Balance** To set the color balance, do the following:
1. Press **<MENU>**.
 2. Use **<UP>** or **<DOWN>** to choose **Setup**.
 3. Press **<ENTER>**.
 4. Use **<UP>** or **<DOWN>** to select **Color Balance**.
 5. Press **<ENTER>**.
 6. Use **<UP>** or **<DOWN>** to select **RED, GREEN, BLUE, or WHITE**.
 7. Press **<ENTER>**.
 8. Use **<UP>** or **<DOWN>** to increase or decrease the color value (**100–255**).
 9. Press **<ENTER>**.
 10. Repeat steps 6-9 until the desired color balance is set.

- Display Timeout** To select whether the display backlight should turn off after inactivity, follow the instructions below:
1. Press **<MENU>**.
 2. Use **<UP>** or **<DOWN>** to choose **Setup**.
 3. Press **<ENTER>**.
 4. Use **<UP>** or **<DOWN>** to select **Display**.
 5. Press **<ENTER>**.
 6. Use **<UP>** or **<DOWN>** to select **ON** or **OFF**.
 7. Press **<ENTER>**.

- Display Orientation** To set the display orientation on the Intimidator Wash Zoom 450 IRC, do the following:
1. Press **<MENU>**.
 2. Use **<UP>** or **<DOWN>** to choose **Setup**.
 3. Press **<ENTER>**.
 4. Use **<UP>** or **<DOWN>** to select **Screen Rev**.
 5. Press **<ENTER>**.
 6. Use **<UP>** or **<DOWN>** to select **ON** or **OFF**.
 7. Press **<ENTER>**.

- Fans** To set the fan speed, follow the instructions below:
1. Press **<MENU>**.
 2. Use **<UP>** or **<DOWN>** to choose **Setup**.
 3. Press **<ENTER>**.
 4. Use **<UP>** or **<DOWN>** to select **Fans**.
 5. Press **<ENTER>**.
 6. Use **<UP>** or **<DOWN>** to select **Auto** or **Full**.
 7. Press **<ENTER>**.

- Reset** To restart the Intimidator Wash Zoom 450 IRC, do the following:
1. Press **<MENU>**.
 2. Use **<UP>** or **<DOWN>** to choose **Setup**.
 3. Press **<ENTER>**.
 4. Use **<UP>** or **<DOWN>** to select **Reset**.
 5. Press **<ENTER>**.

- Load Factory Defaults** To reset the Intimidator Wash Zoom 450 IRC to factory default settings, follow the instructions below:
1. Press **<MENU>**.
 2. Use **<UP>** or **<DOWN>** to choose **Setup**.
 3. Press **<ENTER>**.
 4. Use **<UP>** or **<DOWN>** to select **Factory Set**.
 5. Press **<ENTER>**.

- System Info** To view system information, do the following:
1. Press **<MENU>**.
 2. Use **<UP>** or **<DOWN>** to choose **Sys Info**.
 3. Press **<ENTER>**. The version number, running mode, DMX address, and current product temperature will show on the display.

IR Mode

IR mode allows the product to be controlled with an infrared remote controller. The IRC-6 can remotely set the product to various modes; adjust the color, speed and sensitivity; and set the strobe.

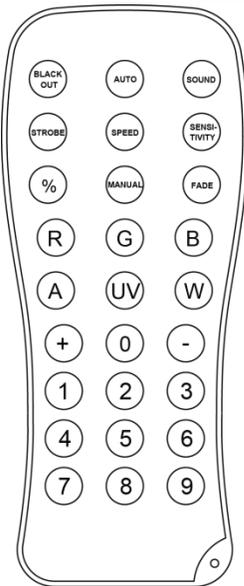
To set the product to IR mode, do the following:

1. Make sure the product is plugged into a power source and not connected to a DMX cable.
2. Press **<MENU>**.
3. Use **<UP>** or **<DOWN>** to choose **Run Mode**.
4. Press **<ENTER>**. Use **<UP>** or **<DOWN>** to choose **IR**.
5. Press **<ENTER>** and the indicator on the front of the Intimidator Wash Zoom 450 IRC blinks.

IRC-6 Operation



Be sure the IRC-6 remote is pointing directly at the product and there is nothing in between the remote and the product.



The list below describes which features each button controls.

- **<BLACKOUT>** - Turns LED on and off.
- **<AUTO>** - Activates Auto mode. Use the **<+>** and **<->** buttons to cycle through Auto programs.
- **<SOUND>** - Activates Sound mode.
- **<STROBE>** - Activates the strobe. Use the **<+>** and **<->** buttons to increase or decrease strobe speed.
- **<SPEED>** - Adjusts the movement speed. Use the **<+>** and **<->** buttons to increase or decrease the pan/tilt speed.
- **<SENSITIVITY>** - Adjusts sound sensitivity. Use the **<+>** and **<->** buttons to increase or decrease the sound sensitivity.
- **<%>** - Adjusts the brightness of the LEDs. Use the **<+>** and **<->** buttons to increase or decrease the brightness of the LEDs.
- **<FADE/SNAP>** or **<FADE>** - Activates Color Fade mode and Color Snap mode. Press **<FADE>/SNAP>** to toggle Fade and Snap. Use the **<+>** and **<->** buttons to increase or decrease the Fade/Snap speed (fast to slow).
- **<MANUAL>** - Activates Manual mode.
- **<R>** - Adjusts the red LEDs. Use the **<+>** and **<->** buttons to increase or decrease the red output.
- **<G>** - Adjusts the green LEDs. Use the **<+>** and **<->** buttons to increase or decrease the green output.
- **** - Adjusts the blue LEDs. Use the **<+>** and **<->** buttons to increase or decrease the blue output.
- **<W>** - Adjusts the white LEDs. Use the **<+>** and **<->** buttons to increase or decrease the white output.
- **<A>** - Adjusts the Pan/Tilt manually. Press **<A>** to toggle between Pan and Tilt. Use the **<+>** and **<->** buttons to increase or decrease the Pan/Tilt value.
- **<UV>** or **<P>** - Adjusts the Zoom manually. Use the **<+>** and **<->** buttons to increase or decrease the Zoom value.
- **<+>** - Increases values for controls as described above.
- **<->** - Decreases values for controls as described above.
- **<0>-<9>** - Activates specific Auto modes. Can be used as a shortcut for the combination of the **<AUTO>** button and the **<+>** and **<->** buttons.

Master/Slave Mode

The Master/Slave mode allows a single Intimidator Wash Zoom 450 IRC (the master) to control the actions of one or more Intimidator Wash Zoom 450 IRC products (the slaves) without the need of a DMX controller. The master will be set to operate in either Stand-Alone mode or with the IRC-6, while the slaves will be set to operate in Slave mode. Once set and connected, the slaves will operate in unison with the master.

Configure the products as indicated below.

Slaves:

1. Press **<MENU>**.
2. Use **<UP>** or **<DOWN>** to select **Run Mode**.
3. Press **<ENTER>**.
4. Use **<UP>** or **<DOWN>** to select **Slave**.
5. Press **<ENTER>**.
6. Use **<UP>** or **<DOWN>** to select **Slave 1, Slave 2, Slave 3, or Slave 4**.
 - Select **Slave 1** for 100% synchronized actions.
 - Select **Slave 2, Slave 3, or Slave 4** for a delayed show with all heads in the same direction but with a delay creating a wave effect.
7. Press **<ENTER>**.
8. Connect the DMX input of the first slave product to the DMX output of the master.
9. Connect the DMX input of the subsequent slaves to the DMX output of the previous slave.
10. Finish setting and connecting all the slaves.

Master:

1. Set the master to operate in either Stand-Alone mode or with the IRC-6.
2. Make the master the first product in the DMX daisy chain.

When including Intimidator Wash Zoom products in Master/Slave configuration with Intimidator Wash Zoom 450 IRC products, you must observe the following:



- **When the Intimidator Wash Zoom product is the master and the Intimidator Wash Zoom 450 IRC is connected as a slave, the Intimidator Wash Zoom 450 IRC must be set to DMX mode with a starting address of 001. DO NOT set the Intimidator Wash Zoom 450 IRC in Slave mode when an Intimidator Wash Zoom product is the master.**
- **The Intimidator Wash Zoom 450 IRC will not operate as the master to an Intimidator Wash Zoom product connected as a slave.**



- **Configure all the slaves before connecting the master to the DMX daisy chain.**
- **Never connect a DMX controller to a DMX string configured for Master/Slave operation because the controller may interfere with the signals from the master.**
- **Do not connect more than 31 slave products to the master.**

5. MAINTENANCE

Product Maintenance

Dust build-up reduces light output performance and can cause overheating. This can lead to reduction of the light source's life and/or mechanical wear. To maintain optimum performance and minimize wear, clean your lighting products at least twice a month. However, be aware that usage and environmental conditions could be contributing factors to increase the cleaning frequency.

To clean the product, follow the instructions below:

1. Unplug the product from power.
2. Wait until the product is at room temperature.
3. Use a vacuum (or dry compressed air) and a soft brush to remove dust collected on the external surface/vents.
4. Clean all transparent surfaces with a mild soap solution, ammonia-free glass cleaner, or isopropyl alcohol.
5. Apply the solution directly to a soft, lint free cotton cloth or a lens cleaning tissue.
6. Softly drag any dirt or grime to the outside of the transparent surface.
7. Gently polish the transparent surfaces until they are free of haze and lint.



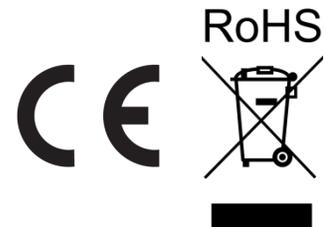
Always dry the transparent surfaces carefully after cleaning them.



Do not spin the cooling fans using compressed air because you could damage them.

6. TECHNICAL SPECIFICATIONS

| | | | | |
|---|----------------------------------|--------------------------|---------------------------------|------------------|
| Dimensions and Weight | Length | Width | Height (pointing upward) | Weight |
| | 7.6 in (194 mm) | 10.9 in (277 mm) | 14.3 in (363 mm) | 15.8 lb (7.2 kg) |
| Note: Dimensions in inches are rounded. | | | | |
| Power | Power Supply Type | Range | Voltage Selection | |
| | Switching (internal) | 100 to 240 VAC, 50/60 Hz | Auto-ranging | |
| | Parameter | 120 V, 60 Hz | 230 V, 50 Hz | |
| | Consumption | 219 W | 207 W | |
| | Operating | 1.9 A | 1 A | |
| | Power linking current (products) | 13.6 A (4 products) | 13.6 A (8 products) | |
| | Fuse | F 5 A, 250 V | F 5 A, 250 V | |
| Power I/O | Power I/O | US/Worldwide | UK/Europe | |
| | Power input connector | powerCON®-compatible | powerCON®-compatible | |
| | Power output connector | powerCON®-compatible | powerCON®-compatible | |
| | Power Cord plug | Edison (US) | Local plug | |
| Light Source | Type | Power | Lifespan | |
| | LED | 20 W | 50,000 hours | |
| | Color | Quantity | Current | |
| Quad-color RGBW | 12 | 3.7 A | | |
| Photometrics | Parameter | | | |
| | Illuminance @ 2 m (7°) | 21,560 lux | | |
| | Illuminance @ 2 m (34°) | 2,320 lux | | |
| | Zoom Angle | 7° to 34° | | |
| | Strobe Rate | 0 to 20 Hz | | |
| | Pan and Tilt | 540° Pan | 270° Tilt | |
| | Pan/Tilt Ranges | 180°, 360°, 540° Pan | 90°, 180°, 270° Tilt | |
| Thermal | Maximum External Temp. | Cooling System | | |
| | 104 °F (40 °C) | Fan-Assisted Convection | | |
| DMX | I/O Connectors | Connector Type | Channel Range | |
| | 3-pin XLR | Sockets | 14 or 29 | |
| Ordering | Product Name | Item Code | UPC Number | |
| | Intimidator Wash Zoom 450 IRC | 08010983 | 781462213312 | |



RETURNS

To get support or return a product:

- If you are located in the US, contact Chauvet World Headquarters.
- If you are located in the UK or Ireland, contact Chauvet Europe Ltd.
- If you are located in France, contact Chauvet France.
- If you are located in Germany, contact Chauvet Germany.
- If you are located in Mexico, contact Chauvet Mexico.
- If you are located in Benelux, contact Chauvet Europe BVBA.
- If you are located in any other country, DO NOT contact Chauvet. Instead, contact your local distributor. See www.chauvetdj.com for distributors outside the US, UK, Ireland, Mexico, or Benelux.



If you are located outside the US, UK, Ireland, Benelux, France, Germany, or Mexico, contact your distributor of record and follow their instructions on how to return Chauvet products to them. Visit our website www.chauvetlighting.com for contact details.

Call the corresponding Chauvet Technical Support office and request a Return Merchandise Authorization (RMA) number before shipping the product. Be prepared to provide the model number, serial number, and a brief description of the cause for the return.

To submit a service request online, go to www.chauvetdj.com/service-request.

Send the merchandise prepaid, in its original box, and with its original packing and accessories. Chauvet will not issue call tags.

Clearly label the package with the RMA number. Chauvet will refuse any product returned without an RMA number.



Write the RMA number on a properly affixed label. DO NOT write the RMA number directly on the box.

Before sending the product, clearly write the following information on a piece of paper and place it inside the box:

- Your name
- Your address
- Your phone number
- RMA number
- A brief description of the problem

Be sure to pack the product properly. Any shipping damage resulting from inadequate packaging will be your responsibility. FedEx packing or double-boxing are recommended.



Chauvet reserves the right to use its own discretion to repair or replace returned product(s).

CONTACT Us

| General Information | Technical Support |
|---|---|
| Chauvet World Headquarters | |
| Address: 5200 NW 108th Avenue Sunrise, FL 33351 Voice: (954) 577-4455 Fax: (954) 929-5560 Toll free: (800) 762-1084 | Voice: (844) 393-7575 Fax: (954) 756-8015 Email: chauvetcs@chauvetlighting.com Website www.chauvetdj.com |
| Chauvet Europe Ltd | |
| Address: Unit 1C Brookhill Road Industrial Estate Pinxton, Nottingham, UK NG16 6NT Voice: +44 (0)1773 511115 Fax: +44 (0)1773 511110 | Email: UKtech@chauvetlighting.eu Website: www.chauvetdj.eu |
| Chauvet Europe BVBA | |
| Address: Stokstraat 18 9770 Kruishoutem Belgium Voice: +32 9 388 93 97 | Email: BNLtech@chauvetlighting.eu Website: www.chauvetdj.eu |
| Chauvet France | |
| Address: 3, Rue Ampère 91380 Chilly-Mazarin France Voice: +33 1 78 85 33 59 | Email: FRtech@chauvetlighting.fr Website: www.chauvetdj.eu |
| Chauvet Germany | |
| Address: Bruno-Bürgel-Str. 11 28759 Bremen Germany Voice: +49 421 62 60 20 | Email: DEtech@chauvetlighting.de Website: www.chauvetdj.eu |
| Chauvet Mexico | |
| Address: Av. de las Partidas 34-3B (Entrance by Calle 2) Zona Industrial Lerma Lerma, Mexico C.P. 52000 Voice: +52 (728) 690-2010 | Email: servicio@chauvet.com.mx Website: www.chauvetdj.mx |

Visit the applicable website above to verify our contact information and instructions to request support. Outside the US, UK, Ireland, Mexico, France, Germany, or Benelux, contact the dealer of record.