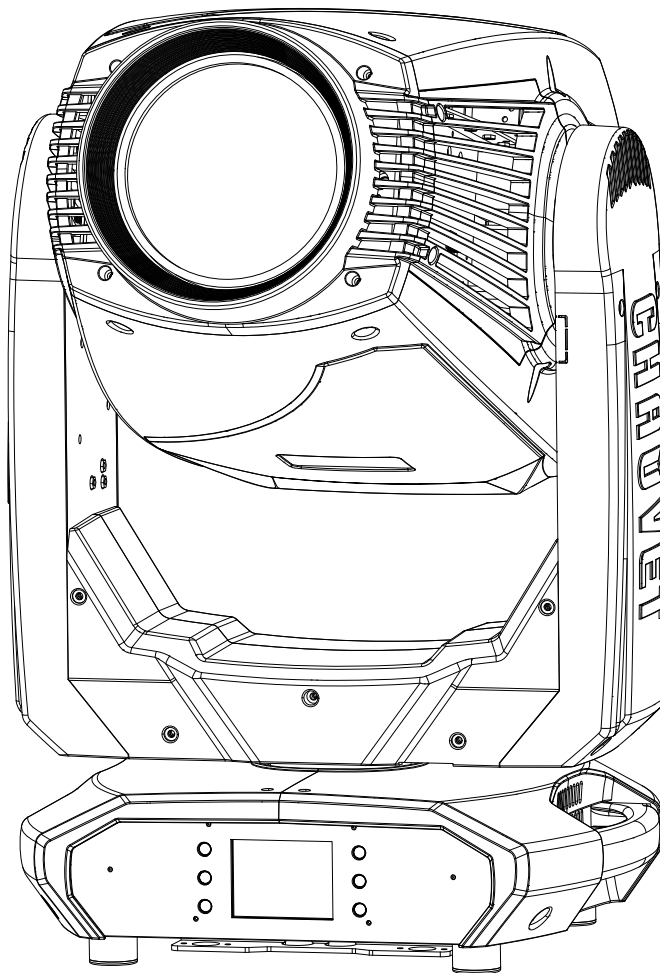


MAVERICK

MK3 SPOT

Quick Reference Guide

English	EN
Español	ES
Français	FR
Deutsch	DE
Nederlands	NL



About This Guide

The Maverick MK3 Spot Quick Reference Guide (QRG) has basic product information such as connection, mounting, menu options, and DMX values. Download the User Manual from www.chauvetprofessional.com for more details.

Disclaimer

The information and specifications contained in this QRG are subject to change without notice.

LIMITED WARRANTY

FOR WARRANTY REGISTRATION AND COMPLETE TERMS AND CONDITIONS PLEASE VISIT OUR WEBSITE.

For Customers in the United States and Mexico: www.chauvetlighting.com/warranty-registration.

For Customers in the United Kingdom, Republic of Ireland, Belgium, the Netherlands, Luxembourg, France, and Germany: www.chauvetlighting.eu/warranty-registration.

Chauvet warrants that this product shall be free from defects in material and workmanship under normal use, for the period specified in, and subject to the exclusions and limitations set forth in the full limited warranty on our website. This warranty extends only to the original purchaser of the product and is not transferable. To exercise rights under this warranty, you must provide proof of purchase in the form of an original sales receipt from an authorized dealer that shows the product name and date of purchase. THERE ARE NO OTHER EXPRESS OR IMPLIED WARRANTIES. This warranty gives you specific legal rights. You may also have other rights that vary from state to state and country to country. This warranty is valid only in the United States, United Kingdom, Republic of Ireland, Belgium, the Netherlands, Luxembourg, France, Germany and Mexico. For warranty terms in other countries, please consult your local distributor.

Safety Notes

These Safety Notes include important information about installation, use, and maintenance.

- DO NOT open this product. It contains no user-serviceable parts.
- DO NOT look at the light source when the product is on.
- CAUTION: Flashing light is known to trigger epileptic seizures. User must comply with local laws regarding notification of strobe use.
- To eliminate unnecessary wear and improve its lifespan, during periods of non-use completely disconnect the product from power via breaker or by unplugging it.
- CAUTION: When transferring product from extreme temperature environments, (e.g. cold truck to warm humid ballroom) condensation may form on the internal electronics of the product. To avoid causing a failure, allow product to fully acclimate to the surrounding environment before connecting it to power.
- CAUTION: This product's housing may be hot when lights are operating.
- Mount this product in a location with adequate ventilation, at least 20 in (50 cm) from adjacent surfaces.
- DO NOT leave any flammable material within 50 cm of this product while operating or connected to power.
- USE a safety cable when mounting this product overhead.
- DO NOT operate this product outdoors or in any location where dust, excessive heat, water, or humidity may affect it. (IP20)
- DO NOT operate this product if the housing, lenses, or cables appear damaged.
- DO NOT connect this product to a dimmer or rheostat.
- ONLY connect this product to a grounded and protected circuit.
- ONLY use the hanging/mounting bracket or the handles to carry this product.
- In the event of a serious operating problem, stop using immediately.
- The maximum ambient temperature is 113 °F (45 °C). Do not operate this product at higher temperatures.

FCC Compliance

This device complies with Part 15 Part B of the FCC Rules. Operation is subject to the following two conditions:

1. This device may not cause harmful interference, and
2. This device must accept any interference received, including interference that may cause undesired operation.

Any changes or modifications not expressly approved by the party responsible for compliance could void the user's authority to operate the equipment.

RF Exposure Warning for North America, and Australia

Warning! This equipment complies with FCC radiation exposure limits set forth for an uncontrolled environment. This equipment should be installed and operated with a minimum distance of 20cm between the radiator and your body. This transmitter must not be co-located or operating in conjunction with any other antenna or transmitter.

Contact

Outside the US, United Kingdom, Ireland, Benelux, France, Germany, or Mexico, contact your distributor to request support or return a product. Refer to [Contact Us](#) at the end of this QRG for contact information.

What is Included

- Maverick MK3 Spot
- Seetronic Powerkon IP65 power cord
- 2 Omega brackets with mounting hardware
- Quick Reference Guide

AC Power

This product has an auto-ranging power supply that can work with an input voltage range of 100–240 VAC, 50/60 Hz.

AC Plug

Connection	Wire (U.S.)	Wire (Europe)	Screw Color
AC Live	Black	Brown	Yellow/Brass
AC Neutral	White	Blue	Silver
AC Ground	Green/Yellow	Green/Yellow	Green



To eliminate unnecessary wear and improve its lifespan, during periods of non-use completely disconnect the product from power via breaker or by unplugging it.

Replacing The Fuse

1. Disconnect this product from power
2. Using a flat head screwdriver, unscrew the fuse holder cap from the housing.
3. Remove blown fuse and replace with a good fuse of the same type and rating.
4. Screw the fuse holder cap back in place and reconnect power.

DMX Linking

The Maverick MK3 Spot will work with a DMX controller using a 3- or 5-pin DMX serial connection. A DMX Primer is available from www.chauvetprofessional.com.

DMX Connection

The Maverick MK3 Spot uses a 3- or 5-pin DMX data connection for its DMX personalities: **39Ch** and **31Ch**. See the User Manual for information about connecting and configuring the product for DMX operation.

Signal Connection

The Maverick MK3 Spot can link to controller software using an Ethernet connection. If using other Art-Net™ or sACN - compatible products with the Maverick MK3 Spot you can control each individually on a single network. See the User Manual for information about how to connect and configure the product for these signals.

Art-Net™ Connection

Art-Net™ is an Ethernet protocol that uses TCP/IP which transfers a large amount of DMX512 data using an Neutrik® etherCON® RJ45 connection over a large network. An Art-Net™ protocol document is available from www.chauvetprofessional.com. Chauvet Professional recommends using unicast Art-Net™ for best results.

Art-Net™ designed by and copyright Artistic Licence Holdings Ltd.

sACN Connection

Also known as ANSI E1.31, Streaming-ACN is an Ethernet protocol that uses the layering and formatting of Architecture for Control Networks to transport DMX512 data over IP or any other ACN compatible network.

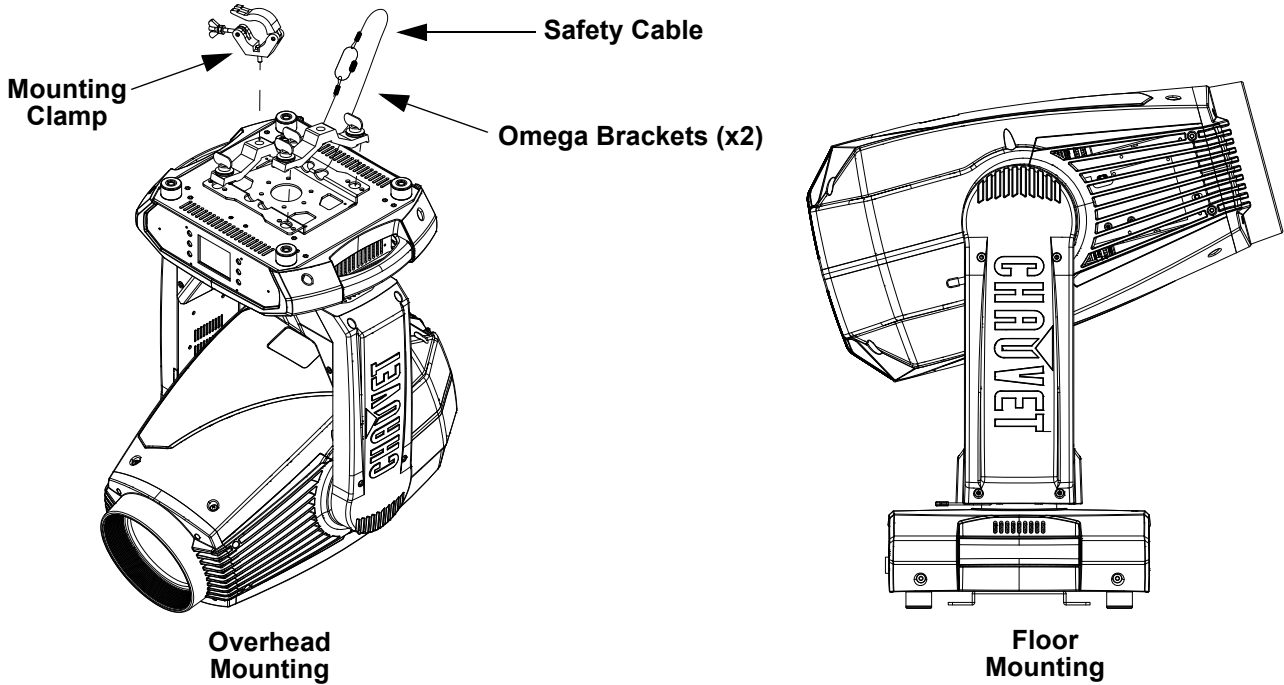
RDM (Remote Device Management)

Remote Device Management, or RDM, is a standard for allowing DMX-enabled devices to communicate bi-directionally along existing DMX cabling. Check the DMX controller's User Manual or with the manufacturer as not all DMX controllers have this capability. The Maverick MK3 Spot supports RDM protocol that allows feedback to make changes to menu map options. Download the User Manual from www.chauvetprofessional.com for more details.

Mounting

Before mounting this product, read the [Safety Notes](#). Use at least two mounting points per product. Make sure the mounting clamps are capable of supporting the weight of the product. For our Chauvet line of mounting clamps, go to <http://trusst.com/productcategory/truss-clamps/>.

Product Mounting Diagram

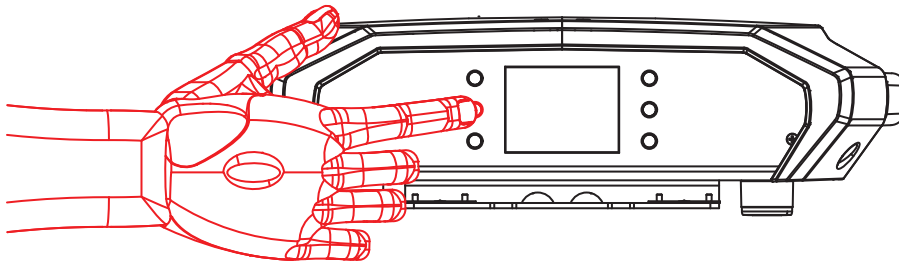


Control Panel Description

Button	Name	Function
< ↑ >	<UP>	Navigates upwards through the menu list or increases the numeric value when in a function
< ≡ >	<MENU>	Exits from the current menu or function
< ↓ >	<DOWN>	Navigates downwards through the menu list or decreases the numeric value when in a function
< ← >	<LEFT>	Navigates leftwards through the menu list
< ↵ >	<ENTER>	Enables the currently displayed menu or sets the currently selected value into the selected function
< → >	<RIGHT>	Navigates rightwards through the menu list

Battery Powered Display

Press and hold until menu screen appears (approximately 15 seconds).



Menu Map

Main Level	Programming Levels		Description
Address	000–512		Network Setting
Network Setup	IP Mode	Manual	Selection of IP mode
		DHCP	
		Static	
	Universe	000–255	Set the Universe
Ip	002.243.075.222	IP setting	
SubMask	255.000.000.000	Subnet Mask	
Personality	DMX 31CH	YES NO	Choose 31 Channels of DMX
	DMX 39CH	NO YES	Choose 39 Channels of DMX
Settings	Control Mode	DMX	Signal Selection
		WDMX	
		ArtNet	
		sACN	
	Pan Reverse	NO	Reverse the Pan
		YES	
	Tilt Reverse	NO	Reverse the Tilt
		YES	
	Screen Reverse	NO	Manually or automatically reverse the screen
		YES	
		AUTO	
	Pan Angle	540	Change the Pan angle
		360	
		180	
	Tilt Angle	270	Change the Tilt angle
		180	
		90	
	BL. O. P/T Move	NO	Enable/disable XY blackout
		YES	
	BL. O. Color Move	NO	Enable/disable color blackout
		YES	
	BL. O. Gobo Move	NO	Enable/disable gobo blackout
		YES	
	Calibration	NO	Turn on Calibration
YES			
Touchscreen Lock	NO	Lock the touchscreen	
	YES		
Lock Screen	NO	Lock the buttons and touchscreen	
	YES		
Swap XY	NO	Swap the pan and tilt	
	YES		
WDMX Reset	NO	Reset the wireless DMX	
	YES		
Backlight Timer	30S	Set the backlight to turn off automatically after a chosen time	
	1M		
	5M		
	ON		
Loss of Data	Hold	Loss of data setting	
	Close		
Fans	Auto	Change the fan speed mode	
	Full		
	ECO		

QUICK REFERENCE GUIDE



EN

Main Level	Programming Levels		Description
Settings (cont.)	Dimmer Curve	Linear	Set the dimmer curve
		Square	
		I Squa	
		SCurve	
	PWM Option	600Hz	PWM selection
		1200Hz	
		2000Hz	
		4000Hz	
		6000Hz	
		15000Hz	
	Preset Select	PRESET A	Recorded preset menu options
		PRESET B	
		PRESET C	
	Preset Sync	NO	Allows recorded preset menu options to be transferred to other Maverick MK3 Spots in the DMX daisy chain
		YES	
Reset Function	Pan/Tilt	YES/NO	Reset individual functions to factory
	Iris/ Prism		
	Color/ CMY		
	Gobo/ Gobo Rotate		
	Frost/ Animation		
	All		
Factory Settings	NO	Reset all functions to factory	
	YES		

Main Level	Programming Levels		Description
	Auto Test		Auto test the product
Test	Manual Test	Pan	000–255 Individually test each function/channel
		Pan Fine	
		Tilt	
		Tilt Fine	
		P/T Speed	
		Dimmer	
		Dimmer Fine	
		Shutter	
		Virtual Shaking	
		Cyan	
		Magenta	
		Yellow	
		CTO	
		Color	
		Gobo	
		Gobo Rotate	
		Gobo Index	
		Gobo2	
		Gobo3	
		Gobo3 Rotate	
		Gobo3 Index	
		Animation	
		Animation Rotate	
		Focus	
		Focus Fine	
		Focus Auto	
		Zoom	
		Zoom Fine	
		Prism	
		Prism Rotate	
		Prism2	
		Prism2 Rotate	
Iris			
Frost			
Frost2			
CRI Filter			
CMY Macro			
CMY Macro Speed			
Special Function			

QUICK REFERENCE GUIDE



EN

Main Level	Programming Levels		Description	
Information	Fixture Information	Ver	Current Version	
		Running Mode	Current Mode	
		DMX Address		
		Temperature	Current Temperature	
		Fixture Hours	Current active hours	
		Ip	Current IP address	
		SubMask	Current subnet mask	
		MAC	MAC address	
	Fan Information	head Fan1 Speed	View speed setting	
		head Fan2 Speed		
		head Fan3 Speed		
		head Fan4 Speed		
		head Fan5 Speed		
		head Fan6 Speed		
	Error Information		Will appear on screen	
	Channel Information	Frequency	Hz	Status of individual channel
		Pan	000–255	
		Pan Fine		
		Tilt		
		Tilt Fine		
		P/T Speed		
		Dimmer		
		Dimmer Fine		
		Shutter		
		Virtual Shaking		
		Cyan		
		Magenta		
		Yellow		
		CTO		
		Color		
		Gobo		
		Gobo Rotate		
		Gobo Index		
Gobo2				
Gobo3				
Gobo3 Rotate				
Gobo3 Index				
Animation				
Animation Rotate				
Focus				
Focus Fine				
Focus Auto				
Zoom				
Zoom Fine				
Prism				
Prism Rotate				
Prism2				
Prism2 Rotate				
Iris				
Frost				
Frost2				
CRI Filter				
CMY Macro				
CMY Macro Speed				
Special Function				

DMX Values
Dmx Mode 39 CH

Channel	Function	Value	Percent/Setting
1	Pan	000 ⇔ 255	0–100%
2	Fine Pan	000 ⇔ 255	Fine control (16-bit)
3	Tilt	000 ⇔ 255	0–100%
4	Fine Tilt	000 ⇔ 255	Fine control (16-bit)
5	Pan/Tilt Speed	000 ⇔ 255	0–100%
6	Dimmer	000 ⇔ 255	0–100%
7	Fine Dimmer	000 ⇔ 255	Fine control (16-bit)
8	Strobe	000 ⇔ 003	Closed
		004 ⇔ 007	Open
		008 ⇔ 076	Slow to fast
		077 ⇔ 145	Pulse effect from slow to fast
		146 ⇔ 215	Random effect from slow to fast
		216 ⇔ 255	Closed
9	Virtual Strobe	000 ⇔ 001	No function
		002 ⇔ 128	Shaking strobe, slow to fast
		129 ⇔ 255	Fade in/out, slow to fast
10	Cyan	000 ⇔ 255	0–100%
11	Magenta	000 ⇔ 255	0–100%
12	Yellow	000 ⇔ 255	0–100%
13	CTO	000 ⇔ 255	0–100%
14	Color Wheel	000 ⇔ 007	White
		008 ⇔ 015	Red
		016 ⇔ 023	Orange
		024 ⇔ 031	Green
		032 ⇔ 039	Yellow
		040 ⇔ 047	Blue
		048 ⇔ 059	CTB 8000K
		060 ⇔ 187	Split colors
		188 ⇔ 219	Clockwise color scroll, fast to slow
		220 ⇔ 223	Stop
		224 ⇔ 255	Counter-clockwise color scroll, slow to fast
15	Rotating Gobo Wheel 1	000 ⇔ 007	Open
		008 ⇔ 015	Gobo 1 (Sailboats)
		016 ⇔ 023	Gobo 2 (Radial Dot)
		024 ⇔ 031	Gobo 3 (Mower Blade)
		032 ⇔ 039	Gobo 4 (Bolts)
		040 ⇔ 047	Gobo 5 (Shower Glass)
		048 ⇔ 055	Gobo 6 (Ballistic Clouds)
		056 ⇔ 063	Gobo 7 (4 Eyes)
		064 ⇔ 071	Gobo 7 Shaking
		072 ⇔ 079	Gobo 6 Shaking
		080 ⇔ 087	Gobo 5 Shaking
		088 ⇔ 095	Gobo 4 Shaking
		096 ⇔ 103	Gobo 3 Shaking
		104 ⇔ 111	Gobo 2 Shaking
		112 ⇔ 119	Gobo 1 Shaking
		120 ⇔ 127	Open
		128 ⇔ 191	Clockwise gobo scroll, slow to fast
192 ⇔ 255	Counter-clockwise gobo scroll, slow to fast		
16	Gobo 1 Rotating	000 ⇔ 063	Rotating gobo index
		064 ⇔ 145	Clockwise rotating, fast to slow
		146 ⇔ 151	Stop
		152 ⇔ 231	Counter-clockwise rotating, slow to fast
		232 ⇔ 255	Bounce effect
17	Fine Gobo Wheel 1 Index	000 ⇔ 255	Fine control (16-bit)

QUICK REFERENCE GUIDE



EN

Channel	Function	Value	Percent/Setting
18	Static Gobo Wheel 2	000 ⇔ 005	Open
		006 ⇔ 011	Gobo 1 (Beam)
		012 ⇔ 017	Gobo 2 (Bars)
		018 ⇔ 023	Gobo 3 (Circles)
		024 ⇔ 029	Gobo 4 (Breakup)
		030 ⇔ 035	Gobo 5 (Dots)
		036 ⇔ 041	Gobo 6 (Circuits)
		042 ⇔ 047	Gobo 7 (Triangles)
		048 ⇔ 053	Gobo 8 (Forest)
		054 ⇔ 063	Gobo 9 (Rainbows)
		064 ⇔ 069	Gobo 9 Shaking
		070 ⇔ 075	Gobo 8 Shaking
		076 ⇔ 081	Gobo 7 Shaking
		082 ⇔ 087	Gobo 6 Shaking
		088 ⇔ 093	Gobo 5 Shaking
		094 ⇔ 099	Gobo 4 Shaking
		100 ⇔ 105	Gobo 3 Shaking
106 ⇔ 111	Gobo 2 Shaking		
112 ⇔ 117	Gobo 1 Shaking		
118 ⇔ 127	Open		
128 ⇔ 191	Clockwise gobo scroll, slow to fast		
192 ⇔ 255	Counter-clockwise gobo scroll, slow to fast		
19	Rotating Gobo Wheel 3	000 ⇔ 007	Open
		008 ⇔ 015	Gobo 1 (Spiral)
		016 ⇔ 023	Gobo 2 (Abstracts)
		024 ⇔ 031	Gobo 3 (Brick Wall)
		032 ⇔ 039	Gobo 4 (Chess)
		040 ⇔ 047	Gobo 5 (Granny Sue)
		048 ⇔ 055	Gobo 6 (Color Weave)
		056 ⇔ 063	Gobo 7 (Indigo Square Breakup)
		064 ⇔ 071	Gobo 7 Shaking
		072 ⇔ 079	Gobo 6 Shaking
		080 ⇔ 087	Gobo 5 Shaking
		088 ⇔ 095	Gobo 4 Shaking
		096 ⇔ 103	Gobo 3 Shaking
		104 ⇔ 111	Gobo 2 Shaking
		112 ⇔ 119	Gobo 1 Shaking
		120 ⇔ 127	Open
		128 ⇔ 191	Clockwise gobo scroll, slow to fast
192 ⇔ 255	Counter-clockwise gobo scroll, slow to fast		
20	Gobo 3 Rotating	000 ⇔ 063	Rotating gobo index
		064 ⇔ 145	Clockwise rotating, fast to slow
		146 ⇔ 151	Stop
		152 ⇔ 231	Counter-clockwise rotating, slow to fast
		232 ⇔ 255	Bounce effect
21	Fine Gobo Wheel 3 Index	000 ⇔ 255	Fine control (16-bit)
22	Animation Wheel	000 ⇔ 255	Animation effect
23	Animation Wheel Rotating	000 ⇔ 124	Clockwise rotating, fast to slow
		125 ⇔ 130	Stop
		131 ⇔ 255	Counter-clockwise rotating, slow to fast
24	Focus	000 ⇔ 255	0–100%
25	Fine Focus	000 ⇔ 255	Fine control (16-bit)
26	Auto Focus	000 ⇔ 010	No function
		011 ⇔ 030	0–5 m
		031 ⇔ 050	6 m
		051 ⇔ 070	7 m
		071 ⇔ 090	8 m
		091 ⇔ 110	9 m
		111 ⇔ 130	10 m
		131 ⇔ 150	12.5 m
		151 ⇔ 170	15 m
		171 ⇔ 190	17.5 m
		191 ⇔ 210	20–60 m
211 ⇔ 255	Auto-detect distance		

Channel	Function	Value	Percent/Setting
27	Zoom	000 ⇔ 255	0–100%
28	Fine Zoom	000 ⇔ 255	Fine control (16-bit)
29	Prism	000 ⇔ 004	No function
		005 ⇔ 255	Prism Effect
30	Prism Rotating	000 ⇔ 127	Rotating position
		128 ⇔ 189	Clockwise rotating, fast to slow
		190 ⇔ 193	Stop
		194 ⇔ 255	Counter-clockwise rotating, slow to fast
31	Prism 2	000 ⇔ 004	No function
		005 ⇔ 255	Prism Effect
32	Prism Rotating 2	000 ⇔ 127	Rotating position
		128 ⇔ 189	Clockwise rotating, fast to slow
		190 ⇔ 193	Stop
		194 ⇔ 255	Counter-clockwise rotating, slow to fast
33	Iris	000 ⇔ 063	0–100%
		064 ⇔ 127	Auto change, slow to fast
		128 ⇔ 191	Slow zoom out, fast zoom in (slow to fast)
		192 ⇔ 255	Slow zoom in, fast zoom out (slow to fast)
34	Frost 1	000 ⇔ 255	0–100%
35	Frost 2	000 ⇔ 255	0–100%
36	CRI Filter	000 ⇔ 004	No function
		005 ⇔ 255	CRI filter
37	CMY Macro	000 ⇔ 009	No function
		010 ⇔ 255	CMY macro
38	CMY Macro Speed	000 ⇔ 255	100%–0
39	Control	000 ⇔ 007	No function
		008 ⇔ 015	Pan/tilt blackout
		016 ⇔ 023	Color blackout
		024 ⇔ 031	Gobo blackout
		032 ⇔ 039	Pan/tilt/color blackout
		040 ⇔ 047	Pan/tilt/gobo blackout
		048 ⇔ 055	Pan/tilt/color/gobo blackout
		056 ⇔ 095	No function
		096 ⇔ 103	Pan reset
		104 ⇔ 111	Tilt reset
		112 ⇔ 119	Color reset
		120 ⇔ 127	Gobo reset
		128 ⇔ 135	No function
		136 ⇔ 143	Prism reset
		144 ⇔ 151	No function
		152 ⇔ 159	All reset
		160 ⇔ 167	Iris reset
		168 ⇔ 175	Frost reset
		176 ⇔ 183	Zoom reset
		184 ⇔ 191	CMY reset
		192 ⇔ 199	Fan low speed (eco)
		200 ⇔ 207	Fan full speed
		208 ⇔ 215	Fan auto
		216 ⇔ 220	No function
		221 ⇔ 225	Iris fast mode
		226 ⇔ 230	Iris smooth mode
231 ⇔ 235	Pan/tilt swap on		
236 ⇔ 240	Pan/tilt swap off		
241 ⇔ 245	No function		
246 ⇔ 250	Pan/tilt smooth mode		
251 ⇔ 255	Pan/tilt fast mode		

QUICK REFERENCE GUIDE



EN

Dmx Mode 31 CH

Channel	Function	Value	Percent/Setting
1	Pan	000 ⇔ 255	0–100%
2	Fine Pan	000 ⇔ 255	Fine control (16-bit)
3	Tilt	000 ⇔ 255	0–100%
4	Fine Tilt	000 ⇔ 255	Fine control (16-bit)
5	Pan/Tilt Speed	000 ⇔ 255	0–100%
6	Dimmer	000 ⇔ 255	0–100%
7	Strobe	000 ⇔ 003	Closed
		004 ⇔ 007	Open
		008 ⇔ 076	Slow to fast
		077 ⇔ 145	Pulse effect from slow to fast
		146 ⇔ 215	Random effect from slow to fast
		216 ⇔ 255	Closed
8	Virtual Strobe	000 ⇔ 001	No function
		002 ⇔ 128	Shaking strobe, slow to fast
		129 ⇔ 255	Fade in/out, slow to fast
9	Cyan	000 ⇔ 255	0–100%
10	Magenta	000 ⇔ 255	0–100%
11	Yellow	000 ⇔ 255	0–100%
12	CTO	000 ⇔ 255	0–100%
13	Color Wheel	000 ⇔ 007	Open
		008 ⇔ 015	Red
		016 ⇔ 023	Orange
		024 ⇔ 031	Green
		032 ⇔ 039	Yellow
		040 ⇔ 047	Blue
		048 ⇔ 059	CTB 8000K
		060 ⇔ 187	Split colors
		188 ⇔ 219	Clockwise color scroll, fast to slow
		220 ⇔ 223	Stop
224 ⇔ 255	Counter-clockwise color scroll, slow to fast		
14	Rotating Gobo Wheel 1	000 ⇔ 007	Open
		008 ⇔ 015	Gobo 1 (Sailboats)
		016 ⇔ 023	Gobo 2 (Radial Dot)
		024 ⇔ 031	Gobo 3 (Mower Blade)
		032 ⇔ 039	Gobo 4 (Bolts)
		040 ⇔ 047	Gobo 5 (Shower Glass)
		048 ⇔ 055	Gobo 6 (Ballistic Clouds)
		056 ⇔ 063	Gobo 7 (4 Eyes)
		064 ⇔ 071	Gobo 7 Shaking
		072 ⇔ 079	Gobo 6 Shaking
		080 ⇔ 087	Gobo 5 Shaking
		088 ⇔ 095	Gobo 4 Shaking
		096 ⇔ 103	Gobo 3 Shaking
		104 ⇔ 111	Gobo 2 Shaking
		112 ⇔ 119	Gobo 1 Shaking
		120 ⇔ 127	Open
128 ⇔ 191	Clockwise gobo scroll, slow to fast		
192 ⇔ 255	Counter-clockwise gobo scroll, slow to fast		
15	Gobo 1 Rotating	000 ⇔ 063	Rotating gobo index
		064 ⇔ 145	Clockwise rotating, fast to slow
		146 ⇔ 149	Stop
		150 ⇔ 231	Counter-clockwise rotating, slow to fast
		232 ⇔ 255	Bounce effect

Channel	Function	Value	Percent/Setting
16	Static Gobo Wheel 2	000 ⇔ 005	Open
		006 ⇔ 011	Gobo 1 (Beam)
		012 ⇔ 017	Gobo 2 (Bars)
		018 ⇔ 023	Gobo 3 (Circles)
		024 ⇔ 029	Gobo 4 (Breakup)
		030 ⇔ 035	Gobo 5 (Dots)
		036 ⇔ 041	Gobo 6 (Circuits)
		042 ⇔ 047	Gobo 7 (Triangles)
		048 ⇔ 053	Gobo 8 (Forest)
		054 ⇔ 063	Gobo 9 (Rainbows)
		064 ⇔ 069	Gobo 9 Shaking
		070 ⇔ 075	Gobo 8 Shaking
		076 ⇔ 081	Gobo 7 Shaking
		082 ⇔ 087	Gobo 6 Shaking
		088 ⇔ 093	Gobo 5 Shaking
		094 ⇔ 099	Gobo 4 Shaking
		100 ⇔ 105	Gobo 3 Shaking
106 ⇔ 111	Gobo 2 Shaking		
112 ⇔ 117	Gobo 1 Shaking		
118 ⇔ 127	Open		
128 ⇔ 191	Clockwise gobo scroll, slow to fast		
192 ⇔ 255	Counter-clockwise gobo scroll, slow to fast		
17	Rotating Gobo Wheel 3	000 ⇔ 007	Open
		008 ⇔ 015	Gobo 1 (Spiral)
		016 ⇔ 023	Gobo 2 (Abstracts)
		024 ⇔ 031	Gobo 3 (Brick Wall)
		032 ⇔ 039	Gobo 4 (Chess)
		040 ⇔ 047	Gobo 5 (Granny Sue)
		048 ⇔ 055	Gobo 6 (Color Weave)
		056 ⇔ 063	Gobo 7 (Indigo Square Breakup)
		064 ⇔ 071	Gobo 7 Shaking
		072 ⇔ 079	Gobo 6 Shaking
		080 ⇔ 087	Gobo 5 Shaking
		088 ⇔ 095	Gobo 4 Shaking
		096 ⇔ 103	Gobo 3 Shaking
		104 ⇔ 111	Gobo 2 Shaking
		112 ⇔ 119	Gobo 1 Shaking
		120 ⇔ 127	Open
		128 ⇔ 191	Clockwise gobo scroll, slow to fast
192 ⇔ 255	Counter-clockwise gobo scroll, slow to fast		
18	Gobo 3 Rotating	000 ⇔ 063	Rotating gobo index
		064 ⇔ 145	Clockwise rotating, fast to slow
		146 ⇔ 149	Stop
		150 ⇔ 231	Counter-clockwise rotating, slow to fast
		232 ⇔ 255	Bounce effect
19	Animation Wheel	000 ⇔ 255	Animation effect
20	Animation Wheel Rotating	000 ⇔ 124	Clockwise rotating, fast to slow
		125 ⇔ 130	Stop
		131 ⇔ 255	Counter-clockwise rotating, slow to fast
21	Focus	000 ⇔ 255	0–100%
22	Zoom	000 ⇔ 255	0–100%
23	Prism	000 ⇔ 004	No function
		005 ⇔ 255	Prism Effect
24	Prism Rotating	000 ⇔ 127	Rotating position
		128 ⇔ 189	Clockwise rotating, fast to slow
		190 ⇔ 193	Stop
		194 ⇔ 255	Counter-clockwise rotating, slow to fast
25	Prism 2	000 ⇔ 004	No function
		005 ⇔ 255	Prism Effect
26	Prism Rotating 2	000 ⇔ 127	Rotating position
		128 ⇔ 189	Clockwise rotating, fast to slow
		190 ⇔ 193	Stop
		194 ⇔ 255	Counter-clockwise rotating, slow to fast

QUICK REFERENCE GUIDE



EN

Channel	Function	Value	Percent/Setting
27	Iris	000 ⇔ 063	0–100%
		064 ⇔ 127	Auto change, slow to fast
		128 ⇔ 191	Slow zoom out, fast zoom in (slow to fast)
		192 ⇔ 255	Slow zoom in, fast zoom out (slow to fast)
28	Frost 1	000 ⇔ 255	0–100%
29	Frost 2	000 ⇔ 255	0–100%
30	CRI Filter	000 ⇔ 004	No function
		005 ⇔ 255	CRI filter
31	Control	000 ⇔ 007	No function
		008 ⇔ 015	Pan/tilt blackout
		016 ⇔ 023	Color blackout
		024 ⇔ 031	Gobo blackout
		032 ⇔ 039	Pan/tilt/color blackout
		040 ⇔ 047	Pan/tilt/gobo blackout
		048 ⇔ 055	Pan/tilt/color/gobo blackout
		056 ⇔ 095	No function
		096 ⇔ 103	Pan reset
		104 ⇔ 111	Tilt reset
		112 ⇔ 119	Color reset
		120 ⇔ 127	Gobo reset
		128 ⇔ 135	No function
		136 ⇔ 143	Prism reset
		144 ⇔ 151	No function
		152 ⇔ 159	All reset
		160 ⇔ 167	Iris reset
		168 ⇔ 175	Frost reset
		176 ⇔ 183	Zoom reset
		184 ⇔ 191	CMY reset
		192 ⇔ 199	Fan low speed (eco)
		200 ⇔ 207	Fan full speed
		208 ⇔ 215	Fan auto
		216 ⇔ 220	No function
		221 ⇔ 225	Iris fast mode
		226 ⇔ 230	Iris smooth mode
		231 ⇔ 235	Pan/tilt swap on
		236 ⇔ 240	Pan/tilt swap off
241 ⇔ 245	No function		
246 ⇔ 250	Pan/tilt smooth mode		
251 ⇔ 255	Pan/tilt fast mode		

Acerca de Esta Guía

La Guía de Referencia Rápida (GRR) del Maverick MK3 Spot contiene información básica sobre el producto, como montaje, opciones de menú y valores DMX. Descargue el Manual de Usuario de www.chauvetprofessional.com para información más detallada.

Exención de Responsabilidad

La información y especificaciones contenidas en esta GRR están sujetas a cambio sin previo aviso.

GARANTÍA LIMITADA

PARA VER EL REGISTRO DE GARANTÍA Y LOS TÉRMINOS Y CONDICIONES COMPLETOS, VISITE NUESTRO SITIO WEB.

Para clientes en los Estados Unidos y México: www.chauvetlighting.com/warranty-registration.

Para clientes en Reino Unido, República de Irlanda, Bélgica, Países Bajos, Luxemburgo, Francia y Alemania: www.chauvetlighting.eu/warranty-registration.

Chauvet garantiza que este producto estará libre de defectos de material y mano de obra en condiciones de uso normales, durante el periodo especificado, sujeto siempre a las exclusiones y limitaciones establecidas en la garantía limitada completa de nuestro sitio web. Esta garantía se concede únicamente al comprador original del producto y no es transferible. Para ejercer los derechos que otorga esta garantía, usted debe proporcionar una prueba de compra en forma de un recibo de compra original, expedido por un distribuidor autorizado, donde figure el nombre del producto y la fecha de compra. **NO EXISTEN OTRAS GARANTÍAS EXPRESAS NI IMPLÍCITAS.** Esta garantía le otorga derechos legales específicos. Es posible que a usted le asistan otros derechos, que variarán dependiendo del estado o del país. Esta garantía solamente es válida en los Estados Unidos, Reino Unido, República de Irlanda, Bélgica, Países Bajos, Luxemburgo, Francia, Alemania y México. Para conocer los términos de garantía en otros países, consulte a su distribuidor local.

Notas de Seguridad

- NO abra este producto. No contiene piezas reparables por el usuario.
- NO mire a la fuente de luz cuando el producto esté encendido.
- CUIDADO: Se sabe que la luz parpadeante puede desencadenar ataques epilépticos. El usuario debe cumplir con la legislación local con respecto a la notificación del uso de estroboscopio.
- Para evitar un desgaste innecesario y alargar su vida útil, desconecte complemente el producto de la alimentación, mediante el interruptor o desenchufándolo, durante los periodos en los que no se use.
- CUIDADO: La carcasa de este producto está caliente cuando las luces están en funcionamiento.
- Monte este producto en una ubicación con ventilación adecuada, al menos a 20" (50 cm) de superficies adyacentes.
- NO deje ningún material inflamable a menos de 50 cm de este producto mientras esté funcionando o conectado a la alimentación.
- Cuidado: cuando transfiera el producto desde ambientes con temperatura extrema (p. ej., del remolque frío de un camión a una sala de baile con calor y humedad), puede formarse condensación en la electrónica interna del producto. Para evitar que se produzca una avería, deje que el producto se aclimate completamente al ambiente antes de conectar la alimentación.
- USE un cable de seguridad cuando monte este producto en lo alto.
- NO ponga en funcionamiento este producto en el exterior o en cualquier ubicación en la que el polvo, calor excesivo, agua o humedad puedan afectarlo. (IP20)
- NO ponga en funcionamiento este producto si sospecha que la carcasa, lentes o cables están dañados.
- NO conecte este producto a un atenuador o reostato.
- Conecte este producto SOLO a un circuito con toma de tierra y protegido.
- Use SOLAMENTE los soportes de colgar/montar para mover este producto.
- En caso de un problema grave de funcionamiento, deje de usarlo inmediatamente.
- La máxima temperatura ambiente es de 113 °F (45 °C). No haga funcionar este producto a temperaturas más altas.

Cumplimiento de la FCC

Este dispositivo cumple la parte 15, parte B de las normas FCC. El funcionamiento está supeditado al cumplimiento de estas dos condiciones:

1. Este dispositivo no puede causar interferencias perjudiciales; y
2. Este dispositivo debe aceptar cualquier interferencia recibida, incluyendo las interferencias que puedan causar un funcionamiento no deseado.

Cualquier cambio o modificación que no haya sido expresamente autorizado por la parte responsable de conformidad puede anular la potestad del usuario para hacer funcionar el equipo.

Advertencia de exposición a RF para América del Norte y Australia

¡Advertencia! Este equipo cumple los límites FCC de exposición a radiación establecidos para un entorno no controlado. Este equipo debe instalarse y manejarse con una distancia mínima de 20 cm entre el radiador y su cuerpo. Este transmisor no se debe situar junto a ninguna otra antena o transmisor ni hacerse funcionar en combinación con ellos.

Contacto

Fuera de EE. UU., Reino Unido, Irlanda, Benelux, Francia, Alemania o México póngase en contacto con su distribuidor para solicitar asistencia o devolver un producto. Consulte [Contact Us](#) al final de este GRR para información de contacto.

Qué va Incluido

- Maverick MK3 Spot
- 2 soportes Omega con material de montaje
- Seetronic Powerkon IP65 cable de alimentación
- Guía de Referencia Rápida

Corriente Alterna

Este producto tiene una fuente de alimentación con detección automática que puede funcionar con un rango de tensión de entrada de 100 a 240 VCA, 50/60 Hz.

Enchufe CA

Conexión	Cable (EE.UU.)	Cable (Europa)	Color del tornillo
CA Cargado	Negro	Marrón	Amarillo/Latón
CA Neutro	Blanco	Azul	Plata
CA Tierra	Verde/Amarillo	Verde/Amarillo	Verde



Para evitar un desgaste innecesario y alargar su vida útil, desconecte complemente el producto de la alimentación, mediante el interruptor o desenchufándolo, durante los periodos en los que no se use.

Sustitución del Fusible

1. Desconecte este producto de la alimentación
2. Utilizando un destornillador plano, desatornille la tapa del portafusibles de la carcasa.
3. Quite el fusible fundido del portafusibles y sustitúyalo con uno nuevo del mismo tipo y categoría.
4. Vuelva a atornillar la tapa del portafusibles en su sitio y conecte de nuevo la alimentación.

Enlace DMX

El Maverick MK3 Spot funcionará con un controlador DMX usando una conexión serie DMX de 5 o 3 pines. Hay un Manual DMX disponible en www.chauvetprofessional.com.

Conexión DMX

El Maverick MK3 Spot usa una conexión de datos DMX normal para sus personalidades: **39Ch** y **31Ch**. Vea el Manual de Usuario para conectar y configurar para funcionamiento DMX.

Conexiones de señal

Puede enlazar el Maverick MK3 Spot a un controlador o software controlador usando una conexión DMX, una conexión Ethernet o ambas. Si está usando otros productos compatibles con Art-Net™ o sACN, el Maverick MK3 Spot puede controlar cada uno individualmente en una sola red. Consulte el Manual de usuario para obtener información sobre cómo conectar y configurar el producto para estas señales.

Conexión Art-Net™

Art-Net™ es un protocolo Ethernet que utiliza TCP/IP para transferir gran cantidad de datos DMX512 usando una conexión etherCON RJ45 sobre una red de gran tamaño. Hay disponible un documento sobre el protocolo Art-Net™ desde www.chauvetprofessional.com. Chauvet Professional recomienda la utilización de modo Unicast para mejores resultados. Art-Net™ diseñado y copyright por Artistic Licence Holdings Ltd.

Conexión sACN

También conocido como ANSI E1.31, el streaming ACN es un protocolo Ethernet que usa las capas y formato de Architecture for Control Networks (arquitectura para redes de control) para transportar datos DMX512 sobre IP o cualquier otra red compatible con ACN.

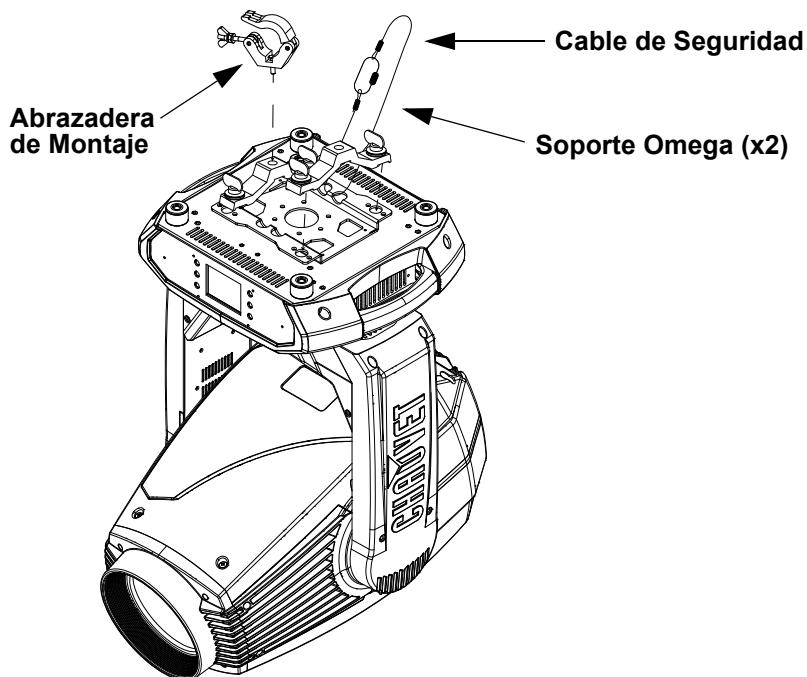
RDM (gestión remota del dispositivo)

Remote Device Management (gestión remota del dispositivo) o RDM, es un estándar que permite a los dispositivos con capacidad DMX una comunicación bidireccional por un cableado DMX existente. El Maverick MK3 Spot admite protocolo RDM, que posibilita información para supervisar cambiar las opciones del mapa de menú. Descargue el manual de usuario de www.chauvetprofessional.com para una información más detallada.

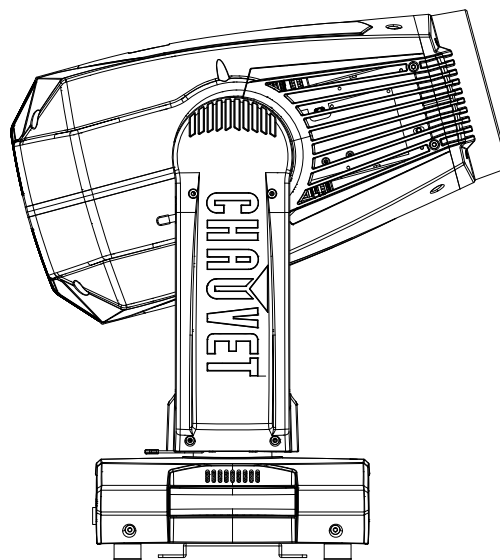
Montaje

Antes de montar este producto, lea las [Notas de Seguridad](#). Asegúrese de que las abrazaderas de montaje son capaces de soportar el peso del producto. Para nuestra línea Chauvet de abrazaderas de montaje, visite <http://trusst.com/productcategory/truss-clamps/>

Diagrama de Montaje del Producto



Montaje en Altura



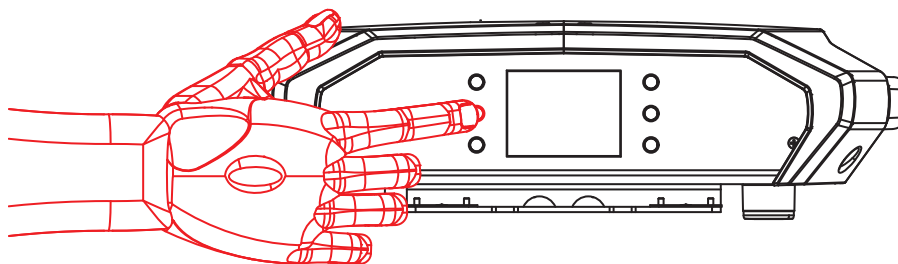
Montaje en el Suelo

Descripción del Panel de Control

Botón	Nombre	Función
< ↑ >	<UP>	Navega hacia arriba por la lista de menú o aumenta el valor numérico cuando está en una función
< ≡ >	<MENU>	Sale del menú o función actual
< ↓ >	<DOWN>	Navega hacia abajo por la lista de menú o disminuye el valor numérico cuando está en una función
< ← >	<LEFT>	Navega hacia la izquierda por la lista de menú
< ↵ >	<ENTER>	Habilita el menú actualmente en pantalla o configura el valor seleccionado actualmente dentro de la función seleccionada
< → >	<RIGHT>	Navega hacia la derecha por la lista de menú

Pantalla alimentada con batería

Pulse y mantenga pulsado hasta que aparezca la pantalla de menú (aproximadamente 15 segundos).



Mapa de Menú

Nivel principal	Niveles de Programación		Descripción
Address	000-512		Configuración de red
Network Setup	IP Mode	Manual	Selección del modo IP
		DHCP	
		Static	
	Universe	000-255	Configurar el universo
Ip	002.243.075.222	Configuración de IP	
SubMask	255.000.000.000	Máscara de subred	
Personality	DMX 31CH	YES NO	Escoger 31 canales de DMX
	DMX 39CH	NO YES	Escoger 39 canales de DMX
Settings	Control Mode	DMX	Selección de señal
		WDMX	
		ArtNet	
		sACN	
	Pan Reverse	NO	Invertir el movimiento panorámico
		YES	
	Tilt Reverse	NO	Invertir la inclinación
		YES	
	Screen Reverse	NO	Invertir la pantalla manual o automáticamente
		YES	
		AUTO	
	Pan Angle	540	Cambiar el angulo panoramico
		360	
		180	
	Tilt Angle	270	Cambiar el angulo de inclinacion
		180	
		90	
	BL. O. P/T Move	NO	Habilitar/deshabilitar el blackout XY
		YES	
	BL. O. Color Move	NO	Habilitar/deshabilitar el blackout de color
		YES	
	BL. O. Gobo Move	NO	Habilitar/deshabilitar el blackout de gobo
		YES	
	Calibration	NO	Encender calibracion
		YES	
	Touchscreen Lock	NO	Bloquear la pantalla
		YES	
	Lock Screen	NO	Bloqueo de los botones y pantalla tactil PASSCODE: 0920
		YES	
	Swap X/Y	NO	Intercambiar movimiento panorámico y de inclinación
YES			
WDMX Reset	NO	Reiniciar DMX inalámbrico	
	YES		
Backlight Timer	30S	Configura la retroiluminacion para que se apague transcurrido cierto tiempo	
	1M		
	5M		
	ON		
Loss of Data	Hold	Configuracion de perdida de datos	
	Close		
Fans	Auto	Cambiar el modo de velocidad del ventilador	
	Full		
	ECO		

Nivel principal	Niveles de Programación		Descripción	
Settings (cont.)	Dimmer Curve	Linear	Configurar la curva del atenuador	
		Square		
		I Squa		
		SCurve		
	PWM Option	600Hz	Selecciona la frecuencia de emisión PWM	
		1200Hz		
		2000Hz		
		4000Hz		
		6000Hz		
		25000Hz		
	Preset Select	PRESET A	Opciones de menú preconfiguradas grabadas	
		PRESET B		
PRESET C				
Preset Sync	NO	Permite transferir las opciones de menú preconfiguradas grabadas a otros Maverick MK3 Spots de la cadena DMX		
	YES			
Reset Function	Pan/Tilt	YES/NO	Restablecer las funciones individuales a los valores de fábrica	
	Iris/ Prism			
	Color/ CMY			
	Gobo/ Gobo Rotate			
	Frost/ Animation All			
Factory Settings	NO	Restablecer todas las funciones a los valores de fábrica		
	YES			
Test	Auto Test		Hacer una prueba automática del producto	
	Manual Test	Pan	000–255	Comprobar individualmente cada función/canal
		Pan Fine		
		Tilt		
		Tilt Fine		
		P/T Speed		
		Dimmer		
		Dimmer Fine		
		Shutter		
		Virtual Shaking		
		Cyan		
		Magenta		
		Yellow		
		CTO		
		Color		
		Gobo		
		Gobo Rotate		
		Gobo Index		
		Gobo2		
		Gobo3		
		Gobo3 Rotate		
		Gobo3 Index		
		Animation		
		Animation Rotate		

Nivel principal	Niveles de Programación		Descripción				
<p>Test (cont.)</p>	<p>Manual Test (cont.)</p>	<p>000-255</p>	<p>Comprobar individualmente cada función/canal</p>				
				Focus			
				Focus Fine			
				Focus Auto			
				Zoom			
				Zoom Fine			
				Prism			
				Prism Rotate			
				Prism2			
				Prism2 Rotate			
				Iris			
				Frost			
				Frost2			
				CRI Filter			
CMY Macro							
CMY Macro Speed							
Special Function							
<p>Information</p>	<p>Fixture Information</p>	<p>Ver</p>	<p>Versión actual</p>				
				Running Mode			
				DMX Address			
				Temperature			
				Fixture Hours			
				Ip			
				SubMask			
	MAC						
	<p>Fan Information</p>	<p>head Fan1 Speed head Fan2 Speed head Fan3 Speed head Fan4 Speed head Fan5 Speed head Fan6 Speed</p>	<p>Ver configuracion de velocidad</p>				
				<p>Error Information</p>	<p>Aparecerá en la pantalla</p>		
				<p>Channel Information</p>	<p>000-255</p>	<p>Estado del canal individual</p>	
							Frequency
							Pan
							Pan Fine
	Tilt						
	Tilt Fine						
	P/T Speed						
Dimmer							
Dimmer Fine							
Shutter							
Virtual Shaking							
Cyan							
Magenta							
Yellow							
CTO							
Color							
Gobo							
Gobo Rotate							
Gobo Index							
Gobo 2							
Gobo3							
Gobo3 Rotate							
Gobo3 Index							

Nivel principal	Niveles de Programación		Descripción
Information (cont.)	Channel Information (cont.)	Focus	000–255 Estado del canal individual
		Focus Fine	
		Focus Auto	
		Zoom	
		Zoom Fine	
		Prism	
		Prism Rotate	
		Prism2	
		Prism2 Rotate	
		Iris	
		Frost	
		Frost2	
		CRI Filter	
		CMY Macro	
		CMY Macro Speed	
Special Function			

Valores DMX
Dmx Mode 39 CH

Canal	Función	Valor	Porcentaje/Configuración
1	Movimiento panorámico	000 ⇔ 255	0–100%
2	Movimiento panorámico fino	000 ⇔ 255	0–100%
3	Inclinación	000 ⇔ 255	0–100%
4	Inclinación fina	000 ⇔ 255	0–100%
5	Velocidad movimiento panorámico/ Inclinación	000 ⇔ 255	0–100%
6	Atenuador	000 ⇔ 255	0–100%
7	Atenuador fino	000 ⇔ 255	0–100%
8	Obturador	000 ⇔ 003 Cerrado 004 ⇔ 007 Abierto 008 ⇔ 076 Lento a rápido 077 ⇔ 145 Efecto pulso de lento a rápido 146 ⇔ 215 Efecto aleatorio de lento a rápido 216 ⇔ 255 Abierto	
9	Obturador virtual	000 ⇔ 001 Sin función 002 ⇔ 128 Estroboscopia vibratoria, lento a rápido 129 ⇔ 255 Hacer aparecer gradualmente/desaparecer, lento a rápido	
10	Cian	000 ⇔ 255	0–100%
11	Magenta	000 ⇔ 255	0–100%
12	Amarillo	000 ⇔ 255	0–100%
13	CTO	000 ⇔ 255	0–100%
14	Rueda de color	000 ⇔ 007 Abierto 008 ⇔ 015 Rojo 016 ⇔ 023 Naranja 024 ⇔ 031 Verde 032 ⇔ 039 Amarillo 040 ⇔ 047 Azul 048 ⇔ 059 CTB 8000K 060 ⇔ 187 Colores divididos 188 ⇔ 219 Desplazamiento de color en sentido horario, rapido a lento 220 ⇔ 223 Parada 224 ⇔ 255 Desplazamiento de color en sentido antihorario, lento a rapido	

GUÍA DE REFERENCIA RÁPIDA



ES

Canal	Función	Valor	Porcentaje/Configuración
15	Rueda de gobo giratorio 1	000 ⇔ 007	Abierto
		008 ⇔ 015	Gobo 1 (Veleros)
		016 ⇔ 023	Gobo 2 (Punto radial)
		024 ⇔ 031	Gobo 3 (Cuchilla de corte)
		032 ⇔ 039	Gobo 4 (Tornillos)
		040 ⇔ 047	Gobo 5 (Mampara de ducha)
		048 ⇔ 055	Gobo 6 (Nubes balísticas)
		056 ⇔ 063	Gobo 7 (Cuatro ojos)
		064 ⇔ 071	Gobo 7 vibrando
		072 ⇔ 079	Gobo 6 vibrando
		080 ⇔ 087	Gobo 5 vibrando
		088 ⇔ 095	Gobo 4 vibrando
		096 ⇔ 103	Gobo 3 vibrando
		104 ⇔ 111	Gobo 2 vibrando
		112 ⇔ 119	Gobo 1 vibrando
		120 ⇔ 127	Abierto
		128 ⇔ 191	Desplazamiento de gobo en sentido horario, rápido a lento
192 ⇔ 255	Desplazamiento de gobo en sentido antihorario, lento a rápido		
16	Gobo giratorio 1	000 ⇔ 063	Índice de gobo giratorio
		064 ⇔ 145	Giro en el sentido horario, rápido a lento
		146 ⇔ 151	Parada
		152 ⇔ 231	Giro en el sentido anti-horario, lento a rápido
		232 ⇔ 255	Efecto Rebote
17	Rueda de gobo 1 Índice de Incremento	000 ⇔ 255	0–100%
18	Rueda de gobo estática 2	000 ⇔ 005	Abierto
		006 ⇔ 011	Gobo 1 (Haz de luz)
		012 ⇔ 017	Gobo 2 (Barras)
		018 ⇔ 023	Gobo 3 (Círculos)
		024 ⇔ 029	Gobo 4 (Romper)
		030 ⇔ 035	Gobo 5 (Puntos)
		036 ⇔ 041	Gobo 6 (Circuitos)
		042 ⇔ 047	Gobo 7 (Triángulos)
		048 ⇔ 053	Gobo 8 (Bosque)
		054 ⇔ 063	Gobo 9 (Arcoiris)
		064 ⇔ 069	Gobo 9 vibrando
		070 ⇔ 075	Gobo 8 vibrando
		076 ⇔ 081	Gobo 7 vibrando
		082 ⇔ 087	Gobo 6 vibrando
		088 ⇔ 093	Gobo 5 vibrando
		094 ⇔ 099	Gobo 4 vibrando
		100 ⇔ 105	Gobo 3 vibrando
106 ⇔ 111	Gobo 2 vibrando		
112 ⇔ 117	Gobo 1 vibrando		
118 ⇔ 127	Abierto		
128 ⇔ 191	Desplazamiento de gobo en sentido horario, lento a rápido		
192 ⇔ 255	Desplazamiento de gobo en sentido antihorario, lento a rápido		

Canal	Función	Valor	Porcentaje/Configuración
19	Rueda de gobo giratorio 3	000 ⇔ 007	Abierto
		008 ⇔ 015	Gobo 1 (Espiral)
		016 ⇔ 023	Gobo 2 (Resúmenes)
		024 ⇔ 031	Gobo 3 (Pared de ladrillo)
		032 ⇔ 039	Gobo 4 (Ajedrez)
		040 ⇔ 047	Gobo 5 (Granny Sue)
		048 ⇔ 055	Gobo 6 (Tejer de color)
		056 ⇔ 063	Gobo 7 (Cuadrados índigo)
		064 ⇔ 071	Gobo 7 vibrando
		072 ⇔ 079	Gobo 6 vibrando
		080 ⇔ 087	Gobo 5 vibrando
		088 ⇔ 095	Gobo 4 vibrando
		096 ⇔ 103	Gobo 3 vibrando
		104 ⇔ 111	Gobo 2 vibrando
		112 ⇔ 119	Gobo 1 vibrando
		120 ⇔ 127	Abierto
128 ⇔ 191	Desplazamiento de gobo en sentido horario, rapido a lento		
192 ⇔ 255	Desplazamiento de gobo en sentido antihorario, lento a rapido		
20	Gobo giratorio 3	000 ⇔ 063	Índice de gobo giratorio
		064 ⇔ 145	Giro en el sentido horario, rápido a lento
		146 ⇔ 151	Parada
		152 ⇔ 231	Giro en el sentido anti-horario, lento a rápido
		232 ⇔ 255	Efecto Rebote
21	Rueda de gobo 3 Índice de Incremento	000 ⇔ 255	0–100%
22	Rueda de animacion	000 ⇔ 255	Efecto de animacion
23	Rueda de animación giratoria	000 ⇔ 124	Giro en el sentido horario, rápido a lento
		125 ⇔ 130	Parada
		131 ⇔ 255	Giro en el sentido anti-horario, lento a rápido
24	Foco	000 ⇔ 255	0–100%
25	Foco fino	000 ⇔ 255	0–100%
26	Autofoco	000 ⇔ 010	Sin función
		011 ⇔ 030	0–5 m
		031 ⇔ 050	6 m
		051 ⇔ 070	7 m
		071 ⇔ 090	8 m
		091 ⇔ 110	9 m
		111 ⇔ 130	10 m
		131 ⇔ 150	12.5 m
		151 ⇔ 170	15 m
		171 ⇔ 190	17.5 m
		191 ⇔ 210	20–60 m
211 ⇔ 255	Detectar automáticamente la distancia		
27	Zoom	000 ⇔ 255	0–100%
28	Zoom fino	000 ⇔ 255	0–100%
29	Prisma	000 ⇔ 004	Sin función
		005 ⇔ 255	Efecto de prisma
30	Girar prisma	000 ⇔ 127	Posicion de giro
		128 ⇔ 189	Giro en el sentido horario, lento a rápido
		190 ⇔ 193	Parada
		194 ⇔ 255	Giro en sentido antihorario, rápido a lento
31	Prisma 2	000 ⇔ 004	Sin función
		005 ⇔ 255	Efecto de prisma 2
32	Girar prisma 2	000 ⇔ 127	Posicion de giro
		128 ⇔ 189	Giro en el sentido horario, lento a rápido
		190 ⇔ 193	Parada
		194 ⇔ 255	Giro en sentido antihorario, rápido a lento
33	Iris	000 ⇔ 063	0–100%
		064 ⇔ 127	Cambio automático (lento a rápido) Disminuir zoom lento,
		128 ⇔ 191	Aumentar zoom rápido (lento a rápido)
		192 ⇔ 255	Aumentar zoom lento, disminuir zoom rápido (lento a rápido)
34	Escarcha 1	000 ⇔ 255	0–100%

GUÍA DE REFERENCIA RÁPIDA



ES

Canal	Función	Valor	Porcentaje/Configuración
35	Escarcha 2	000 ⇔ 255	0–100%
36	Filtro CRI	000 ⇔ 004 005 ⇔ 255	Sin función Filtro CRI
37	Macro CMY	000 ⇔ 009 010 ⇔ 255	Sin función CMY macro
38	Velocidad de macro CMY	000 ⇔ 255	100%–0
39	Control	000 ⇔ 007	Sin función
		008 ⇔ 015	Blackout XY
		016 ⇔ 023	Blackout C
		024 ⇔ 031	Blackout G
		032 ⇔ 039	Blackout XYC
		040 ⇔ 047	Blackout XYG
		048 ⇔ 055	Blackout XYCG
		056 ⇔ 095	Sin función
		096 ⇔ 103	Restablecer X
		104 ⇔ 111	Restablecer Y
		112 ⇔ 119	Restablecer color
		120 ⇔ 127	Restablecer gobo
		128 ⇔ 135	Sin función
		136 ⇔ 143	Restablecer prisma
		144 ⇔ 151	Sin función
		152 ⇔ 159	Restablecer
		160 ⇔ 167	Restablecer iris
		168 ⇔ 175	Restablecer difusor
		176 ⇔ 183	Restablecer zoom
		184 ⇔ 191	Restablecer CMY
		192 ⇔ 199	Velocidad de ventilador lenta
		200 ⇔ 207	Velocidad de ventilador máxima
		208 ⇔ 215	Ventilador automático
		216 ⇔ 220	Sin función
		221 ⇔ 225	Modo iris rápido
226 ⇔ 230	Modo iris suave		
231 ⇔ 235	Intercambio XY activado		
236 ⇔ 240	Intercambio XY desactivado		
241 ⇔ 245	Sin función		
246 ⇔ 250	Modo XY suave		
251 ⇔ 255	Modo XY rápido		

Dmx Mode 31 CH

Canal	Función	Valor	Porcentaje/Configuración
1	Movimiento panorámico	000 ⇔ 255	0–100%
2	Movimiento panorámico fino	000 ⇔ 255	0–100%
3	Inclinación	000 ⇔ 255	0–100%
4	Inclinación fina	000 ⇔ 255	0–100%
5	Velocidad movimiento panorámico/Inclinación	000 ⇔ 255	0–100%
6	Atenuador	000 ⇔ 255	0–100%
7	Obturador	000 ⇔ 003	Cerrado
		004 ⇔ 007	Abierto
		008 ⇔ 076	Lento a rápido
		077 ⇔ 145	Efecto pulso de lento a rápido
		146 ⇔ 215	Efecto aleatorio de lento a rápido
8	Obturador virtual	216 ⇔ 255	Abierto
		000 ⇔ 001	Sin función
		002 ⇔ 128	Estroboscopia vibratoria, lento a rápido
		129 ⇔ 255	Hacer aparecer gradualmente/desaparecer, lento a rápido
9	Cian	000 ⇔ 255	0–100%
10	Magenta	000 ⇔ 255	0–100%
11	Amarillo	000 ⇔ 255	0–100%

Canal	Función	Valor	Porcentaje/Configuración
12	CTO	000 ⇄ 255	0–100%
13	Rueda de color	000 ⇄ 007 008 ⇄ 015 016 ⇄ 023 024 ⇄ 031 032 ⇄ 039 040 ⇄ 047 048 ⇄ 059 060 ⇄ 187 188 ⇄ 219 220 ⇄ 223 224 ⇄ 255	Abierto Rojo Naranja Verde Amarillo Azul CTB 8000K Colores divididos Desplazamiento de color en sentido horario, rapido a lento Parada Desplazamiento de color en sentido antihorario, lento a rapido
14	Rueda de gobo 1	000 ⇄ 007 008 ⇄ 015 016 ⇄ 023 024 ⇄ 031 032 ⇄ 039 040 ⇄ 047 048 ⇄ 055 056 ⇄ 063 064 ⇄ 071 072 ⇄ 079 080 ⇄ 087 088 ⇄ 095 096 ⇄ 103 104 ⇄ 111 112 ⇄ 119 120 ⇄ 127 128 ⇄ 191 192 ⇄ 255	Abierto Gobo 1 (Veleros) Gobo 2 (Punto radial) Gobo 3 (Cuchilla de corte) Gobo 4 (Tornillos) Gobo 5 (Mampara de ducha) Gobo 6 (Nubes balísticas) Gobo 7 (Cuatro ojos) Gobo 7 vibrando Gobo 6 vibrando Gobo 5 vibrando Gobo 4 vibrando Gobo 3 vibrando Gobo 2 vibrando Gobo 1 vibrando Abierto Desplazamiento de gobo en sentido horario, rapido a lento Desplazamiento de gobo en sentido antihorario, lento a rapido
15	Gobo giratorio 1	000 ⇄ 063 064 ⇄ 145 146 ⇄ 149 150 ⇄ 231 232 ⇄ 255	Índice de gobo giratorio Giro en el sentido horario, lento a rápido Parada Giro en el sentido anti-horario, lento a rápido Rebote
16	Rueda de gobo estática 2	000 ⇄ 005 006 ⇄ 011 012 ⇄ 017 018 ⇄ 023 024 ⇄ 029 030 ⇄ 035 036 ⇄ 041 042 ⇄ 047 048 ⇄ 053 054 ⇄ 063 064 ⇄ 069 070 ⇄ 075 076 ⇄ 081 082 ⇄ 087 088 ⇄ 093 094 ⇄ 099 100 ⇄ 105 106 ⇄ 111 112 ⇄ 117 118 ⇄ 127 128 ⇄ 191 192 ⇄ 255	Abierto Gobo 1 (Haz de luz) Gobo 2 (Barras) Gobo 3 (Círculos) Gobo 4 (Romper) Gobo 5 (Puntos) Gobo 6 (Circuitos) Gobo 7 (Triangulos) Gobo 8 (Bosque) Gobo 9 (Arcoiris) Gobo 9 vibrando Gobo 8 vibrando Gobo 7 vibrando Gobo 6 vibrando Gobo 5 vibrando Gobo 4 vibrando Gobo 3 vibrando Gobo 2 vibrando Gobo 1 vibrando Abierto Desplazamiento de gobo en sentido horario, lento a rápido Desplazamiento de gobo en sentido antihorario, lento a rápido

GUÍA DE REFERENCIA RÁPIDA



ES

Canal	Función	Valor	Porcentaje/Configuración
17	Rueda de gobo giratorio 3	000 ⇔ 007	Abierto
		008 ⇔ 015	Gobo 1 (Espiral)
		016 ⇔ 023	Gobo 2 (Resúmenes)
		024 ⇔ 031	Gobo 3 (Pared de ladrillo)
		032 ⇔ 039	Gobo 4 (Ajedrez)
		040 ⇔ 047	Gobo 5 (Granny Sue)
		048 ⇔ 055	Gobo 6 (Tejer de color)
		056 ⇔ 063	Gobo 7 (Cuadrados índigo)
		064 ⇔ 071	Gobo 7 vibrando
		072 ⇔ 079	Gobo 6 vibrando
		080 ⇔ 087	Gobo 5 vibrando
		088 ⇔ 095	Gobo 4 vibrando
		096 ⇔ 103	Gobo 3 vibrando
		104 ⇔ 111	Gobo 2 vibrando
		112 ⇔ 119	Gobo 1 vibrando
		120 ⇔ 127	Abierto
128 ⇔ 191	Desplazamiento de gobo en sentido horario, rapido a lento		
192 ⇔ 255	Desplazamiento de gobo en sentido antihorario, lento a rapido		
18	Gobo giratorio 3	000 ⇔ 063	Índice de gobo giratorio
		064 ⇔ 145	Giro en el sentido horario, lento a rápido
		146 ⇔ 149	Parada
		150 ⇔ 231	Giro en el sentido anti-horario, lento a rápido
		232 ⇔ 255	Rebote
19	Rueda de animacion	000 ⇔ 255	Efecto de animacion
20	Rueda de animación giratoria	000 ⇔ 124	Giro en el sentido horario, rápido a lento
		125 ⇔ 130	Parada
		131 ⇔ 255	Giro en el sentido anti-horario, lento a rápido
21	Foco	000 ⇔ 255	0–100%
22	Zoom	000 ⇔ 255	0–100%
23	Prisma	000 ⇔ 004	Sin función
		005 ⇔ 255	Efecto de prisma
24	Girar prisma	000 ⇔ 127	Posicion de giro
		128 ⇔ 189	Giro en el sentido horario, lento a rápido
		190 ⇔ 193	Parada
		194 ⇔ 255	Giro en sentido antihorario, rápido a lento
25	Prisma 2	000 ⇔ 004	Sin función
		005 ⇔ 255	Efecto de prisma
26	Girar prisma 2	000 ⇔ 127	Posición de giro
		128 ⇔ 189	Giro en el sentido horario, lento a rápido
		190 ⇔ 193	Parada
		194 ⇔ 255	Giro en sentido antihorario, rápido a lento
27	Iris	000 ⇔ 063	0–100%
		064 ⇔ 127	Cambio automático (lento a rápido)
		128 ⇔ 191	Disminuir zoom lento, aumentar zoom rápido (lento a rápido)
		192 ⇔ 255	Aumentar zoom lento, disminuir zoom rápido (lento a rápido)
28	Difusor 1	000 ⇔ 255	0–100%
29	Difusor 2	000 ⇔ 255	0–100%
30	Filtro CRI	000 ⇔ 004	Sin función
		005 ⇔ 255	Filtro CRI

Canal	Función	Valor	Porcentaje/Configuración
31	Control	000 ⇔ 007	Sin función
		008 ⇔ 015	Blackout XY
		016 ⇔ 023	Blackout C
		024 ⇔ 031	Blackout G
		032 ⇔ 039	Blackout XYC
		040 ⇔ 047	Blackout XYG
		048 ⇔ 055	Blackout XYCG
		056 ⇔ 095	Sin función
		096 ⇔ 103	Restablecer X
		104 ⇔ 111	Restablecer Y
		112 ⇔ 119	Restablecer color
		120 ⇔ 127	Restablecer gobo
		128 ⇔ 135	Sin función
		136 ⇔ 143	Restablecer prisma
		144 ⇔ 151	Sin función
		152 ⇔ 159	Restablecer
		160 ⇔ 167	Restablecer iris
		168 ⇔ 175	Restablecer difusor
		176 ⇔ 183	Restablecer zoom
		184 ⇔ 191	Restablecer CMY
		192 ⇔ 199	Velocidad de ventilador lenta
		200 ⇔ 207	Velocidad de ventilador máxima
		208 ⇔ 215	Ventilador automático
		216 ⇔ 220	Sin función
		221 ⇔ 225	Modo iris rápido
		226 ⇔ 230	Modo iris suave
		231 ⇔ 235	Intercambio XY activado
		236 ⇔ 240	Intercambio XY desactivado
		241 ⇔ 245	Sin función
		246 ⇔ 250	Modo XY suave
251 ⇔ 255	Modo XY rápido		

À Propos de ce Manuel

Le Manuel de Référence du Maverick MK3 Spot (MdR) reprend des informations de base sur cet appareil notamment en matière de connexions, montage, options de menu et valeurs DMX. Télécharger le Manuel d'Utilisation sur www.chauvetprofessional.com pour de plus amples informations.

Clause de Non-Responsabilité

Les informations et caractéristiques contenues dans ce manuel sont sujettes à changement sans préavis.

GARANTIE LIMITÉE

VEUILLEZ VISITER NOTRE SITE INTERNET POUR CONSULTER LES MODALITÉS D'ENREGISTREMENT DE LA GARANTIE ET LES CONDITIONS GÉNÉRALES COMPLÈTES.

Pour les clients aux États-Unis et au Mexique: www.chauvetlighting.com/warranty-registration.

Pour les clients du Royaume-Uni, de la République d'Irlande, de la Belgique, des Pays-Bas, du Luxembourg, de la France et de l'Allemagne: www.chauvetlighting.eu/warranty-registration.

Chauvet garantit que cet appareil est exempt de défauts de matériaux et de fabrication dans des conditions normales d'utilisation, pendant la période spécifiée dans la garantie limitée complète consultable sur notre site Internet et sous réserve des exclusions et limitations qui y sont énoncées. Cette garantie ne s'applique qu'à l'acheteur initial du produit et n'est pas transférable. Pour exercer les droits prévus par cette garantie, vous devez fournir une preuve d'achat sous la forme d'un reçu de vente original d'un revendeur autorisé qui indique le nom du produit et la date d'achat. IL N'EXISTE AUCUNE AUTRE GARANTIE EXPRESSE OU IMPLICITE. Cette garantie vous confère des droits légaux spécifique. Vous pouvez également bénéficier d'autres droits qui varient selon les états et les pays. Cette garantie n'est valable qu'aux États-Unis, au Royaume-Uni, en République d'Irlande, en Belgique, aux Pays-Bas, au Luxembourg, en France, en Allemagne et au Mexique. Pour connaître les conditions de garantie dans d'autres pays, veuillez consulter votre revendeur local.

Consignes de Sécurité

- N'ouvrez PAS cet appareil. Il ne contient aucun composant susceptible d'être réparé par l'utilisateur.
- Ne regardez PAS la source lumineuse lorsque le produit fonctionne.
- ATTENTION: Le stroboscope peut déclencher des crises d'épilepsie. L'utilisateur doit se conformer à la réglementation locale en matière d'utilisation du stroboscope.
- Durant les périodes de non-utilisation, pour éviter toute usure inutile et pour prolonger la durée de vie, déconnectez entièrement l'appareil en le débranchant de l'alimentation électrique ou en coupant le disjoncteur.
- ATTENTION : Lorsque l'appareil est transféré d'un environnement à température extrême à un autre (par exemple d'un camion froid vers une salle de bal chaude et humide), de la condensation peut se former sur les composants électriques internes. Pour éviter de causer des dommages, laissez l'appareil s'acclimater entièrement au milieu environnant avant de le mettre sous tension.
- ATTENTION : le boîtier de ce produit peut s'avérer brûlant lors du fonctionnement.
- Montez toujours ce produit dans un endroit bien ventilé, à au moins 50 cm (20 pouces) des surfaces adjacentes.
- Ne laissez AUCUNE source inflammable dans un rayon de 50 cm du produit lorsque celui-ci fonctionne.
- Utilisez TOUJOURS un câble de sécurité lorsque vous montez ce produit en hauteur.
- N'utilisez PAS cet appareil en extérieur ou tout autre endroit où de la poussière, une chaleur excessive, de l'eau ou de l'humidité pourrait en affecter le fonctionnement. (IP20)
- N'utilisez PAS cet appareil si le boîtier, les lentilles ou les câbles vous semblent endommagés.
- Ne connectez ce produit NI à un gradateur NI à un rhéostat.
- Connectez UNIQUEMENT cet appareil à un circuit protégé et relié à la terre.
- N'utilisez QUE les lyres de suspension ou les poignées pour transporter cet appareil. Ne transportez jamais cet appareil par sa lyre asservie.
- En cas de sérieux problèmes de fonctionnement, arrêtez le système immédiatement.
- La température ambiante maximale doit être de 113° F (45° C). Ne le faites pas fonctionner à des températures plus élevées.

Conformité FCC

Cet appareil est conforme à la partie 15, sous-partie B du règlement de la FCC. L'utilisation est soumise aux deux conditions suivantes :

1. Cet appareil ne doit pas causer d'interférences nuisibles, et
2. Cet appareil doit accepter toutes les interférences reçues, y compris celles pouvant entraîner un fonctionnement indésirable.

Tout changement ou modification non expressément approuvé par l'autorité responsable de la conformité pourrait annuler le droit de l'utilisateur à utiliser l'équipement.

Avertissement à l'exposition aux fréquences radio pour l'Amérique du Nord et l'Australie

Attention ! Cet équipement est conforme aux limites de la FCC d'exposition aux radiations définies pour un environnement non contrôlé. Cet équipement doit être installé et utilisé à une distance minimale de 20 cm entre le radiateur et votre corps. Cet émetteur ne doit pas être installé ou fonctionner conjointement avec une autre antenne ou un autre émetteur.

Contact

En dehors des États-Unis, du Royaume-Uni, de l'Irlande, du Benelux, de la France, de l'Allemagne, ou du Mexique, contactez votre fournisseur si vous avez besoin d'assistance ou pour retourner un appareil. Référez-vous à [Contact Us](#) à la fin de ce MdR pour obtenir des informations pour nous contacter.

Ce Qui est Inclus

- Maverick MK3 Spot avec écran anti-éblouissement
- Cordon d'Alimentation Seetronic Powerkon IP65
- 2 fixations Omega sans matériel de montage
- Manuel de Référence

Alimentation CA

Cet appareil est doté d'une alimentation universelle prenant en charge toute tension d'entrée comprise entre 100 et 240 VCA, 50/60 Hz.

Prise CA

Connexion	Câble (États-Unis)	Câble (Europe)	Couleur de la vis
Conducteur CA	Noir	Marron	Jaune/Cuivré
Neutre CA	Blanc	Bleu	Argenté
Terre CA	Vert/Jaune	Vert/Jaune	Vert



Durant les périodes de non-utilisation, pour éviter toute usure inutile et pour prolonger la durée de vie, déconnectez-entièrement l'appareil en le débranchant de l'alimentation électrique ou en coupant le disjoncteur.

Remplacement du Fusible

1. Débranchez l'appareil de l'alimentation.
2. À l'aide d'un tournevis à tête plate, dévissez le couvercle du porte-fusible du boîtier.
3. Retirez le fusil obsolète et remplacez-le par un fusible en bon état de même type et ampérage.
4. Revissez le couvercle du porte-fusible et rebranchez l'unité.

Raccordement DMX

Le Maverick MK3 Spot fonctionnera avec une console DMX au moyen d'une connexion série DMX à 3 ou 5 broches. Une introduction au DMX est à votre disposition sur www.chauvetprofessional.com.

Connexion DMX

Le Maverick MK3 Spot utilise une connexion de données DMX standard pour ses personnalités DMX : **39Ch** et **31Ch**. Consultez le Manuel d'Utilisation pour connecter et configurer le système DMX.

Connexions du signal

Le Maverick MK3 Spot à un contrôleur ou à un logiciel de contrôle à l'aide d'une connexion DMX, une connexion Ethernet ou les deux à la fois. En cas d'utilisation du Maverick MK3 Spot conjointement avec d'autres appareils compatibles avec les protocoles Art-Net™ ou sACN, vous gardez le contrôle individuel sur un même réseau. Veuillez consulter le manuel d'utilisation pour plus d'informations sur la connexion et la configuration de l'appareil avec ces signaux.

Connexions Art-Net™

Art-Net™ est un protocole Ethernet par TCP/IP qui permet de transférer de grandes quantités de données DMX512 en utilisant une connexion etherCON RJ45 sur un grand réseau. Une introduction au protocole Art-Net™ est disponible sur le site internet www.chauvetprofessional.com. Chauvet Professional recommande d'utiliser le mode Unicast pour de meilleurs résultats. Art-Net™ conçu et droit d'auteur par Artistic Licence Holdings Ltd.

Connexions sACN

Également appelé ANSI E1.31, le streaming ACN est un protocole Ethernet qui utilise les couches et le formatage de l'Architecture for Control Networks pour transporter des données DMX512 par IP ou tout autre réseau compatible ACN.

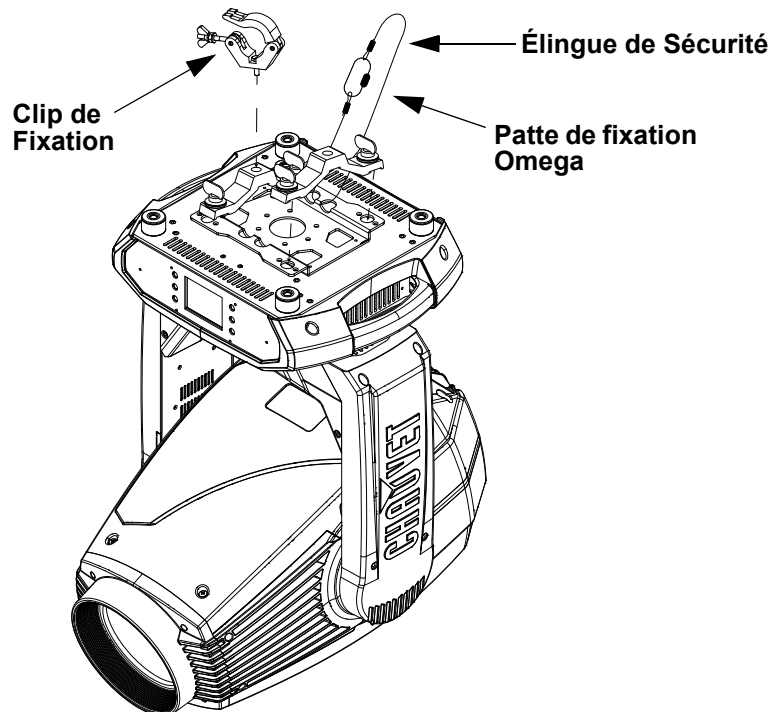
RDM (Gestion des périphériques à distance)

Le protocole RDM (gestion des périphériques à distance) est un standard pour la communication bidirectionnelle des appareils dotés de fonctions DMX dans un câblage DMX existant. Le Maverick MK3 Spot supporte le protocole RDM permettant un retour d'information pour la surveillance et des changements des options de menu. Veuillez télécharger le manuel de l'utilisateur à partir du site internet www.chauvetprofessional.com pour plus de détails.

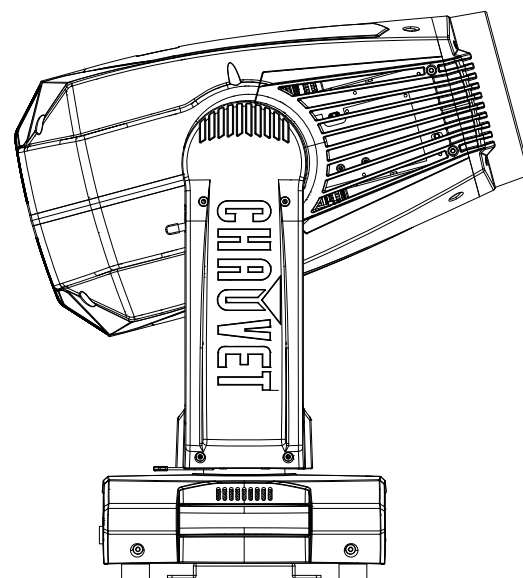
Installation

Avant de monter cet appareil, lisez et assimilez les [Consignes de Sécurité](#). Utilisez au moins deux points de fixation par appareil. Soyez sûr que les crochets sont capables de supporter le poids du produit. Pour voir notre gamme de crochets, rendez-vous sur <http://trusst.com/productcategory/truss-clamps>.

Schéma de Montage de l'Appareil



Montage en Hauteur



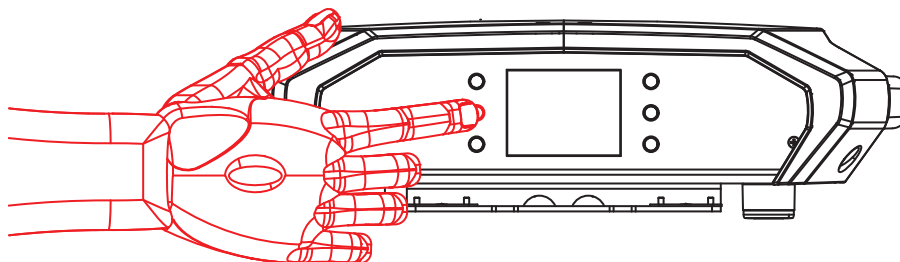
Montage au Sol

Description du Tableau de Commandes

Bouton	Nom	Fonction
< ↑ >	<UP>	Permet de naviguer vers le haut dans la liste du menu ou d'incrémenter une valeur numérique dans une fonction
< ≡ >	<MENU>	Permet de sortir du menu ou de la fonction en cours
< ↓ >	<DOWN>	Permet de naviguer vers le bas dans la liste du menu ou de décrémenter une valeur numérique dans une fonction
< ← >	<LEFT>	Permet de se déplacer vers la gauche dans le menu
< ↵ >	<ENTER>	Active l'entrée de menu actuellement affichée ou confirme la valeur actuellement sélectionnée pour la fonction en cours de sélection
< → >	<RIGHT>	Permet de se déplacer vers la droite dans le menu

Affichage à piles

Appuyez sur la touche et maintenez-la enfoncée jusqu'à ce que l'écran du menu apparaisse (environ 15 secondes).



Plan du Menu

Menu Principal Address	Niveaux de Programmation 000–512		Description
			Paramétrage réseau
Network Setup	IP Mode	Manual	Sélection du mode IP
		DHCP	
		Static	
	Universe Ip	000–255	Permet de définir l'univers
SubMask	002.243.075.222	Paramétrage de l'IP	
		255.000.000.000	Masque de sous-réseau
Personality	DMX 31CH	YES	Sélection de DMX avec 31 canaux
		NO	
	DMX 39CH	NO	Sélection de DMX avec 39 canaux
		YES	
Settings	Control Mode	DMX	Sélection du signal
		WDMX	
		ArtNet	
		sACN	
	Pan Reverse	NO	Permet d'inverser le balayage
		YES	
	Tilt Reverse	NO	Permet d'inverser le basculement
		YES	
	Screen Reverse	NO	Inversion manuelle ou automatique de l'écran
		YES	
		AUTO	
	Pan Angle	540	Permet de modifier l'angle de balayage
		360	
		180	
	Tilt Angle	270	Permet de modifier l'angle de basculement
		180	
		90	
	BL. O. P/T Move	NO	Activer/désactiver le noir général XY
		YES	
	BL. O. Color Move	NO	Activer/désactiver l'extinction des couleurs
YES			
BL. O. Gobo Move	NO	Activer/désactiver l'extinction du gobo	
	YES		
Calibration	NO	Activation du calibrage	
	YES		
Touchscreen Lock	NO	Verrouillage de l'écran tactile	
	YES		
Lock Screen	NO	Boutons de verrouillage et l'écran tactile	
	YES		
Swap X/Y	NO	Permet de permuter le balayage et le basculement	
	YES		

Menu Principal	Niveaux de Programmation		Description
Settings (suite)	WDMX Reset	NO	Permet de réinitialiser le DMX sans fil
		YES	
	Backlight Timer	30S	Permet d'éteindre automatiquement le rétro-éclairage après un laps de temps défini
		1M	
		5M	
		ON	
		ON	
	Loss of Data	Hold	Paramétrage de la perte de données
		Close	
	Fans	Auto	Permet de modifier le mode de vitesse du ventilateur
		Full	
		ECO	
	Dimmer Curve	Linear	Permet de définir la courbe de gradation
		Square	
		I Squa	
		SCurve	
	PWM Option	600Hz	Permet de sélectionner la fréquence de sortie MLI
		1200Hz	
		2000Hz	
		4000Hz	
6000Hz			
25000Hz			
Preset Select	PRESET A	Options de menu des préséglages enregistrés	
	PRESET B		
	PRESET C		
Preset Sync	NO	Permet de transférer les options de menu des préséglages enregistrés vers d'autres appareils Maverick MK3 Spot de la chaîne DMX en guirlande	
	YES		
Reset Function	Pan/Tilt	YES/NO	Permet de réinitialiser au paramétrage d'usine chaque fonction
	Iris/Prism		
	Color/CMY		
	Gobo/Gobo Rotate		
	Frost/Animation		
	All		
Factory Settings	NO	Permet de réinitialiser toutes les fonctions au paramétrage d'usine	
	YES		

Menu Principal	Niveaux de Programmation		Description	
Test	Auto Test		Test automatisé de l'appareil	
	Manual Test	Pan	000–255	Test individuel de chaque fonction/canal
		Pan Fine		
		Tilt		
		Tilt Fine		
		P/T Speed		
		Dimmer		
		Dimmer Fine		
		Shutter		
		Virtual Shaking		
		Cyan		
		Magenta		
		Yellow		
		CTO		
		Color		
		Gobo		
		Gobo Rotate		
		Gobo Index		
		Gobo2		
		Gobo3		
		Gobo3 Rotate		
		Gobo3 Index		
		Animation		
		Animation Rotate		
		Focus		
		Focus Fine		
		Focus Auto		
		Zoom		
		Zoom Fine		
		Prism		
		Prism Rotate		
		Prism2		
		Prism2 Rotate		
Iris				
Frost				
Frost2				
CRI Filter				
CMY Macro				
CMY Macro Speed				
Special Function				
Information	Fixture Information	Ver	Version courante	
		Running Mode	Mode courant	
		DMX Address		
		Temperature	Température courante	
		Fixture Hours	Durée d'activation courante	
		Ip	Adresse IP courante	
		SubMask	Affiche le masque de sous-réseau actuel	
	Fan Information	MAC	Adresse MAC	
		head Fan1 Speed	Visualiser le paramétrage de vitesse	
		head Fan2 Speed		
		head Fan3 Speed		
		head Fan4 Speed		
	head Fan5 Speed			
Error Information	head Fan6 Speed	Apparaît à l'écran		

Menu Principal	Niveaux de Programmation		Description
Information (suite)	Channel Information	Frequency	Hz
		Pan	000–255
		Pan Fine	
		Tilt	
		Tilt Fine	
		P/T Speed	
		Dimmer	
		Dimmer Fine	
		Shutter	
		Virtual Shaking	
		Cyan	
		Magenta	
		Yellow	
		CTO	
		Color	
		Gobo	
		Gobo Rotate	
		Gobo Index	
		Gobo2	
		Gobo3	
		Gobo3 Rotate	
		Gobo3 Index	
		Animation	
		Animation Rotate	
		Focus	
		Focus Fine	
		Focus Auto	
		Zoom	
		Zoom Fine	
		Prism	
		Prism Rotate	
		Prism2	
Prism2 Rotate			
Iris			
Frost			
Frost2			
CRI Filter			
CMY Macro			
CMY Macro Speed			
Special Function			
Statut de chaque canal			

Valeurs DMX
Dmx Mode 39 CH

Canal	Fonction	Valeur	Pourcentage/Configuration
1	Balayage	000 ⇔ 255	0–100%
2	Balayage Fin	000 ⇔ 255	0–100%
3	Basculement	000 ⇔ 255	0–100%
4	Basculement Fin	000 ⇔ 255	0–100%
5	Vitesse de Balayage/ Basculement	000 ⇔ 255	0–100%
6	Gradateur	000 ⇔ 255	0–100%
7	Gradateur fin	000 ⇔ 255	0–100%
8	Obturbateur	000 ⇔ 003	Fermé
		004 ⇔ 007	Ouvert
		008 ⇔ 076	Lent à rapide
		077 ⇔ 145	Effet de pulsation lent à rapide
		146 ⇔ 215	Effet aléatoire lent à rapide
		216 ⇔ 255	Ouvert
9	Volet Virtuel	000 ⇔ 001	Pas de fonction
		002 ⇔ 128	Stroboscope vibrant , rapide à lent
		129 ⇔ 255	Apparition en fondu / disparaître, rapide pour ralentir
10	Cyan	000 ⇔ 255	0–100%
11	Magenta	000 ⇔ 255	0–100%
12	Jaune	000 ⇔ 255	0–100%
13	CTO	000 ⇔ 255	0–100%
14	Roue de Couleurs	000 ⇔ 007	Ouvert
		008 ⇔ 015	Rouge
		016 ⇔ 023	Orange
		024 ⇔ 031	Vert
		032 ⇔ 039	Jaune
		040 ⇔ 047	Bleu
		048 ⇔ 059	CTB 8000K
		060 ⇔ 187	Couleurs séparées
		188 ⇔ 219	Défilement horaire de couleur, rapide à lent
		220 ⇔ 223	Arrêt
224 ⇔ 255	Défilement de couleur dans le sens antihoraire, lent à rapide		
15	Roue de Gobo en rotation 1	000 ⇔ 007	Ouvert
		008 ⇔ 015	Gobo 1 (Voilier)
		016 ⇔ 023	Gobo 2 (Point radial)
		024 ⇔ 031	Gobo 3 (Lame de tondeuse)
		032 ⇔ 039	Gobo 4 (Des boulons)
		040 ⇔ 047	Gobo 5 (Verre de douche)
		048 ⇔ 055	Gobo 6 (Nuages balistiques)
		056 ⇔ 063	Gobo 7 (Quatre yeux)
		064 ⇔ 071	Tremblement Gobo 7
		072 ⇔ 079	Tremblement Gobo 6
		080 ⇔ 087	Tremblement Gobo 5
		088 ⇔ 095	Tremblement Gobo 4
		096 ⇔ 103	Tremblement Gobo 3
		104 ⇔ 111	Tremblement Gobo 2
		112 ⇔ 119	Tremblement Gobo 1
		120 ⇔ 127	Ouvert
		128 ⇔ 191	Défilement horaire de gobo, rapide à lent
192 ⇔ 255	Défilement antihoraire de gobo, lent à rapide		
16	Rotation 1 de Gobo	000 ⇔ 063	Index de rotation de gobo
		064 ⇔ 145	Rotation horaire, lent à rapide
		146 ⇔ 151	Arrêt
		152 ⇔ 231	Rotation antihoraire, lent à rapide
		232 ⇔ 255	Effet de rebond
17	Roue de Gobos 1 Index d'incrémentation	000 ⇔ 255	0–100%

Canal	Fonction	Valeur	Pourcentage/Configuration
18	Roue de Gobo statique 2	000 ⇔ 005	Ouvert
		006 ⇔ 011	Gobo 1 (Faisceau de lumière)
		012 ⇔ 017	Gobo 2 (Les bars)
		018 ⇔ 023	Gobo 3 (Cercles)
		024 ⇔ 029	Gobo 4 (Briser)
		030 ⇔ 035	Gobo 5 (Points)
		036 ⇔ 041	Gobo 6 (Circuits)
		042 ⇔ 047	Gobo 7 (Triangles)
		048 ⇔ 053	Gobo 8 (Forêt)
		054 ⇔ 063	Gobo 9 (Arcs en ciel)
		064 ⇔ 069	Tremblement Gobo 9
		070 ⇔ 075	Tremblement Gobo 8
		076 ⇔ 081	Tremblement Gobo 7
		082 ⇔ 087	Tremblement Gobo 6
		088 ⇔ 093	Tremblement Gobo 5
		094 ⇔ 099	Tremblement Gobo 4
		100 ⇔ 105	Tremblement Gobo 3
106 ⇔ 111	Tremblement Gobo 2		
112 ⇔ 117	Tremblement Gobo 1		
118 ⇔ 127	Ouvert		
128 ⇔ 191	Défilement horaire de gobo, rapide à lent		
192 ⇔ 255	Défilement antihoraire de gobo, lent à rapide		
19	Roue de Gobo en rotation 3	000 ⇔ 007	Ouvert
		008 ⇔ 015	Gobo 1 (Spirale)
		016 ⇔ 023	Gobo 2 (Les résumés)
		024 ⇔ 031	Gobo 3 (Mur de briques)
		032 ⇔ 039	Gobo 4 (Échecs)
		040 ⇔ 047	Gobo 5 (Granny Sue)
		048 ⇔ 055	Gobo 6 (Couleur tissage)
		056 ⇔ 063	Gobo 7 (Carrés indigo)
		064 ⇔ 071	Tremblement Gobo 7
		072 ⇔ 079	Tremblement Gobo 6
		080 ⇔ 087	Tremblement Gobo 5
		088 ⇔ 095	Tremblement Gobo 4
		096 ⇔ 103	Tremblement Gobo 3
		104 ⇔ 111	Tremblement Gobo 2
		112 ⇔ 119	Tremblement Gobo 1
		120 ⇔ 127	Ouvert
		128 ⇔ 191	Défilement horaire de gobo, rapide à lent
192 ⇔ 255	Défilement antihoraire de gobo, lent à rapide		
20	Rotation 3 de Gobo	000 ⇔ 063	Index de rotation de gobo
		064 ⇔ 145	Rotation horaire, lent à rapide
		146 ⇔ 151	Arrêt
		152 ⇔ 231	Rotation antihoraire, lent à rapide
		232 ⇔ 255	Effet de rebond
21	Roue de Gobos 3 Index d'incrément	000 ⇔ 255	0–100%
22	Roue d'animation	000 ⇔ 255	0–100%
23	Roue d'animation en rotation	000 ⇔ 124	Rotation horaire, lent à rapide
		125 ⇔ 130	Arrêt
		131 ⇔ 255	Rotation antihoraire, lent à rapide
24	Mise au Point	000 ⇔ 255	0–100%
25	Mise au Point Fine	000 ⇔ 255	0–100%
26	Mise au Point Automatique	000 ⇔ 010	Aucune fonction
		011 ⇔ 030	0 à 5m
		031 ⇔ 050	6 m
		051 ⇔ 070	7 m
		071 ⇔ 090	8 m
		091 ⇔ 110	9 m
		111 ⇔ 130	10 m
		131 ⇔ 150	12,5 m
		151 ⇔ 170	15 m
		171 ⇔ 190	17,5 m
		191 ⇔ 210	20 à 60 m
		211 ⇔ 255	Auto détection de distance

Canal	Fonction	Valeur	Pourcentage/Configuration
27	Zoom	000 ⇔ 255	0–100%
28	Zoom Fin	000 ⇔ 255	0–100%
29	Prisme	000 ⇔ 004 005 ⇔ 255	Aucune fonction Effet de prisme
30	Rotation du Prisme	000 ⇔ 127 128 ⇔ 189 190 ⇔ 193 194 ⇔ 255	Position de rotation Rotation horaire, lent à rapide Arrêt Rotation antihoraire, rapide à lent
31	Prisme 2	000 ⇔ 004 005 ⇔ 255	Aucune fonction Effet de prisme
32	Rotation du Prisme 2	000 ⇔ 127 128 ⇔ 189 190 ⇔ 193 194 ⇔ 255	Position de rotation Rotation horaire, lent à rapide Arrêt Rotation antihoraire, rapide à lent
33	Iris	000 ⇔ 063 064 ⇔ 127 128 ⇔ 191 192 ⇔ 255	0–100% Changement automatique, lent à rapide Zoom avant lent, zoom arrière rapide (lent à rapide) Zoom arrière lent, zoom avant rapide (lent à rapide)
34	Gel 1	000 ⇔ 255	0–100%
35	Gel 2	000 ⇔ 255	0–100%
36	Filtre CRI	000 ⇔ 004 005 ⇔ 255	Aucune fonction Filtre CRI
37	Macro CMY	000 ⇔ 009 010 ⇔ 255	Aucune fonction Macro CMY
38	Vitesse de Macro CMY	000 ⇔ 255	100%–0
39	Contrôle	000 ⇔ 007 008 ⇔ 015 016 ⇔ 023 024 ⇔ 031 032 ⇔ 039 040 ⇔ 047 048 ⇔ 055 056 ⇔ 095 096 ⇔ 103 104 ⇔ 111 112 ⇔ 119 120 ⇔ 127 128 ⇔ 135 136 ⇔ 143 144 ⇔ 151 152 ⇔ 159 160 ⇔ 167 168 ⇔ 175 176 ⇔ 183 184 ⇔ 191 192 ⇔ 199 200 ⇔ 207 208 ⇔ 215 216 ⇔ 220 221 ⇔ 225 226 ⇔ 230 231 ⇔ 235 236 ⇔ 240 241 ⇔ 245 246 ⇔ 250 251 ⇔ 255	Aucune fonction Noir général XY Noir général C Noir général G Noir général XYC Noir général XYG Noir général XYCG Aucune fonction Réinitialisation X Réinitialisation Y Réinitialisation couleur Réinitialisation de gobo Aucune fonction Réinitialisation prisme Aucune fonction Tout réinitialiser Réinitialisation iris Réinitialisation gel Réinitialisation zoom Réinitialisation CMY Vitesse lente ventilateur Vitesse maximale ventilateur Ventilateur automatique Aucune fonction Mode rapide iris Mode doux iris Permutation XY activée Permutation XY désactivée Aucune fonction Mode doux XY Mode rapide XY

Dmx Mode 31 CH

Canal	Fonction	Valeur	Pourcentage/Configuration
1	Balayage	000 ⇔ 255	0–100%
2	Balayage Fin	000 ⇔ 255	0–100%
3	Basculement	000 ⇔ 255	0–100%
4	Basculement Fin	000 ⇔ 255	0–100%
5	Vitesse de Balayage/ Basculement	000 ⇔ 255	0–100%
6	Gradateur	000 ⇔ 255	0–100%
7	Obturateur	000 ⇔ 003	Fermé
		004 ⇔ 007	Ouvert
		008 ⇔ 076	Lent à rapide
		077 ⇔ 145	Effet de pulsation lent à rapide
		146 ⇔ 215	Effet aléatoire lent à rapide
		216 ⇔ 255	Ouvert
8	Volet Virtuel	000 ⇔ 001	Pas de fonction
		002 ⇔ 128	Stroboscope vibrant, rapide à lent
		129 ⇔ 255	Apparition en fondu/disparaître, rapide pour ralentir
9	Cyan	000 ⇔ 255	0–100%
10	Magenta	000 ⇔ 255	0–100%
11	Jaune	000 ⇔ 255	0–100%
12	CTO	000 ⇔ 255	0–100%
13	Roue de Couleurs	000 ⇔ 007	Ouvert
		008 ⇔ 015	Rouge
		016 ⇔ 023	Orange
		024 ⇔ 031	Vert
		032 ⇔ 039	Jaune
		040 ⇔ 047	Bleu
		048 ⇔ 059	CTB 8000K
		060 ⇔ 187	Couleurs séparées
		188 ⇔ 219	Défilement horaire de couleur, rapide à lent
		220 ⇔ 223	Arrêt
224 ⇔ 255	Défilement de couleur dans le sens antihoraire, lent à rapide		
14	Roue de Gobo en rotation 1	000 ⇔ 007	Ouvert
		008 ⇔ 015	Gobo 1 (Voilier)
		016 ⇔ 023	Gobo 2 (Point radial)
		024 ⇔ 031	Gobo 3 (Lame de tondeuse)
		032 ⇔ 039	Gobo 4 (Des boulons)
		040 ⇔ 047	Gobo 5 (Verre de douche)
		048 ⇔ 055	Gobo 6 (Nuages balistiques)
		056 ⇔ 063	Gobo 7 (Quatre yeux)
		064 ⇔ 071	Tremblement Gobo 7
		072 ⇔ 079	Tremblement Gobo 6
		080 ⇔ 087	Tremblement Gobo 5
		088 ⇔ 095	Tremblement Gobo 4
		096 ⇔ 103	Tremblement Gobo 3
		104 ⇔ 111	Tremblement Gobo 2
		112 ⇔ 119	Tremblement Gobo 1
		120 ⇔ 127	Ouvert
		128 ⇔ 191	Défilement horaire de gobo, lent à rapide
192 ⇔ 255	Défilement antihoraire de gobo, lent à rapide		
15	Rotation 1 de Gobo	000 ⇔ 063	Index de rotation de gobo
		064 ⇔ 145	Rotation horaire, rapide à lent
		146 ⇔ 149	Arrêt
		150 ⇔ 231	Rotation antihoraire, lent à rapide
		232 ⇔ 255	Effet de rebond

Canal	Fonction	Valeur	Pourcentage/Configuration
16	Roue de Gobo statique 2	000 ⇔ 005	Ouvert
		006 ⇔ 011	Gobo 1 (Faisceau de lumière)
		012 ⇔ 017	Gobo 2 (Les bars)
		018 ⇔ 023	Gobo 3 (Cercles)
		024 ⇔ 029	Gobo 4 (Briser)
		030 ⇔ 035	Gobo 5 (Points)
		036 ⇔ 041	Gobo 6 (Circuits)
		042 ⇔ 047	Gobo 7 (Triangles)
		048 ⇔ 053	Gobo 8 (Forêt)
		054 ⇔ 063	Gobo 9 (Arcs en ciel)
		064 ⇔ 069	Tremblement Gobo 9
		070 ⇔ 075	Tremblement Gobo 8
		076 ⇔ 081	Tremblement Gobo 7
		082 ⇔ 087	Tremblement Gobo 6
		088 ⇔ 093	Tremblement Gobo 5
		094 ⇔ 099	Tremblement Gobo 4
		100 ⇔ 105	Tremblement Gobo 3
106 ⇔ 111	Tremblement Gobo 2		
112 ⇔ 117	Tremblement Gobo 1		
118 ⇔ 127	Ouvert		
128 ⇔ 191	Défilement horaire de gobo, rapide à lent		
192 ⇔ 255	Défilement antihoraire de gobo, lent à rapide		
17	Roue de Gobo en rotation 3	000 ⇔ 007	Ouvert
		008 ⇔ 015	Gobo 1 (Spirale)
		016 ⇔ 023	Gobo 2 (Les résumés)
		024 ⇔ 031	Gobo 3 (Mur de briques)
		032 ⇔ 039	Gobo 4 (Échecs)
		040 ⇔ 047	Gobo 5 (Granny Sue)
		048 ⇔ 055	Gobo 6 (Couleur tissage)
		056 ⇔ 063	Gobo 7 (Carrés indigo)
		064 ⇔ 071	Tremblement Gobo 7
		072 ⇔ 079	Tremblement Gobo 6
		080 ⇔ 087	Tremblement Gobo 5
		088 ⇔ 095	Tremblement Gobo 4
		096 ⇔ 103	Tremblement Gobo 3
		104 ⇔ 111	Tremblement Gobo 2
		112 ⇔ 119	Tremblement Gobo 1
		120 ⇔ 127	Ouvert
		128 ⇔ 191	Défilement horaire de gobo, rapide à lent
192 ⇔ 255	Défilement antihoraire de gobo, lent à rapide		
18	Rotation 3 de Gobo	000 ⇔ 063	Index de rotation de gobo
		064 ⇔ 145	Rotation horaire, rapide à lent
		146 ⇔ 149	Arrêt
		150 ⇔ 231	Rotation antihoraire, lent à rapide
		232 ⇔ 255	Effet de rebond
19	Roue d'animation	000 ⇔ 255	0–100%
20	Roue d'animation en rotation	000 ⇔ 124	Rotation horaire, lent à rapide
		125 ⇔ 130	Arrêt
		131 ⇔ 255	Rotation antihoraire, lent à rapide
21	Mise au Point	000 ⇔ 255	0–100%
22	Zoom	000 ⇔ 255	0–100%
23	Prisme	000 ⇔ 004	Aucune fonction
		005 ⇔ 255	Effet de prisme
24	Rotation du Prisme	000 ⇔ 127	Position de rotation
		128 ⇔ 189	Rotation horaire, lent à rapide
		190 ⇔ 193	Arrêt
		194 ⇔ 255	Rotation antihoraire, rapide à lent
25	Prisme 2	000 ⇔ 004	Aucune fonction
		005 ⇔ 255	Effet de prisme
26	Rotation du Prisme 2	000 ⇔ 127	Position de rotation
		128 ⇔ 189	Rotation horaire, lent à rapide
		190 ⇔ 193	Arrêt
		194 ⇔ 255	Rotation antihoraire, rapide à lent

Canal	Fonction	Valeur	Pourcentage/Configuration
27	Iris	000 ⇔ 063	Grand à petit
		064 ⇔ 127	Changement automatique, lent à rapide
		128 ⇔ 191	Zoom avant lent, zoom arrière rapide (lent à rapide)
		192 ⇔ 255	Zoom arrière lent, zoom avant rapide (lent à rapide)
28	Diffusion 1	000 ⇔ 255	0–100%
29	Diffusion 2	000 ⇔ 255	0–100%
30	Filtre CRI	000 ⇔ 004	Aucune fonction
		005 ⇔ 255	Filtre CRI
31	Contrôle	000 ⇔ 007	Aucune fonction
		008 ⇔ 015	Noir général XY
		016 ⇔ 023	Noir général C
		024 ⇔ 031	Noir général G
		032 ⇔ 039	Noir général XYG
		040 ⇔ 047	Noir général XYG
		048 ⇔ 055	Noir général XYCG
		056 ⇔ 095	Aucune fonction
		096 ⇔ 103	Réinitialisation X
		104 ⇔ 111	Réinitialisation Y
		112 ⇔ 119	Réinitialisation couleur
		120 ⇔ 127	Réinitialisation de gobo
		128 ⇔ 135	Aucune fonction
		136 ⇔ 143	Réinitialisation prisme
		144 ⇔ 151	Aucune fonction
		152 ⇔ 159	Tout réinitialiser
		160 ⇔ 167	Réinitialisation iris
		168 ⇔ 175	Réinitialisation gel
		176 ⇔ 183	Réinitialisation zoom
		184 ⇔ 191	Réinitialisation CMY
		192 ⇔ 199	Vitesse lente ventilateur
		200 ⇔ 207	Vitesse maximale ventilateur
		208 ⇔ 215	Ventilateur automatique
		216 ⇔ 220	Aucune fonction
		221 ⇔ 225	Mode rapide iris
		226 ⇔ 230	Mode doux iris
		231 ⇔ 235	Permutation XY activée
		236 ⇔ 240	Permutation XY désactivée
		241 ⇔ 245	Aucune fonction
		246 ⇔ 250	Mode doux XY
251 ⇔ 255	Mode rapide XY		

Über diese Schnellanleitung

In der Schnellanleitung des Maverick MK3 Spot finden Sie die wesentlichen Produktinformationen, wie etwa über die Montage, Menüoptionen und DMX-Werte des Geräts. Laden Sie für weiterführende Informationen unter www.chauvetprofessional.com das Benutzerhandbuch herunter.

Haftungsausschluss

Die in dieser Anleitung aufgeführten Informationen und Spezifikationen können ohne vorherige Ankündigung geändert werden.

EINGESCHRÄNKTE GARANTIE

ZUR REGISTRIERUNG FÜR GARANTIEANSPRÜCHE UND ZUR EINSICHT IN DIE VOLLSTÄNDIGEN GESCHÄFTSBEDINGUNGEN BESUCHEN SIE BITTE UNSERE WEBSITE.

Für Kunden in den USA und in Mexiko: www.chauvetlighting.com/warranty-registration.

Für Kunden im Vereinigten Königreich, in Irland, Belgien, den Niederlanden, Luxemburg, Frankreich und Deutschland: www.chauvetlighting.eu/warranty-registration.

Chauvet garantiert für die in der auf unserer Website veröffentlichten vollständigen eingeschränkten Garantie genannten Dauer und unter Vorbehalt der darin genannten Haftungsausschlüsse und -beschränkungen, dass dieses Produkt bei normalen Gebrauch frei von Material- und Verarbeitungsfehlern ist. Diese Garantie erstreckt sich nur auf den Erstkäufer des Produkts und ist nicht übertragbar. Zur Ausübung der unter dieser Garantie gewährten Rechte ist der Kaufbeleg in Form der Originalrechnung von einem autorisierten Händler vorzulegen, in der die Produktbezeichnung und das Kaufdatum vermerkt sein müssen. ES BESTEHEN KEINE WEITEREN AUSDRÜCKLICHEN ODER STILLSCHWEIGENDEN GARANTIEN. Diese Garantie gibt Ihnen besondere gesetzliche Rechte. Und Sie haben möglicherweise weitere Rechte, die von Land zu Land unterschiedlich sein können. Diese Garantie ist nur in den USA, im Vereinigten Königreich, in Irland, Belgien, den Niederlanden, Luxemburg, Frankreich, Deutschland und Mexiko gültig. Bezüglich der Garantiebestimmungen in anderen Ländern wenden Sie sich bitte an Ihren lokalen Händler.

Sicherheitshinweise

- Dieses Gerät NICHT öffnen. Die eingebauten Komponenten sind für den Kunden wartungsfrei.
- NIEMALS in die Lichtquelle schauen, während das Gerät eingeschaltet ist.
- VORSICHT: Blitzlicht kann nachweislich epileptische Anfälle auslösen. Der Bediener ist angehalten, die vor Ort geltenden Vorschriften und Gesetze zum Einsatz von Stroboskopgeräten einzuhalten.
- Um unnötigen Verschleiß zu vermeiden und die Lebensdauer des Geräts zu verlängern, trennen Sie während längerer Perioden des Nichtgebrauchs das Gerät vom Stromnetz – entweder per Trennschalter oder durch Herausziehen des Steckers aus der Steckdose.
- VORSICHT: Beim Transport des Geräts von einer Umgebung mit außergewöhnlichen Temperaturen in eine andere solche Umgebung (z. B. aus einem kalten Transporter in einen warm-feuchten Ballsaal) kann an der im Gerät enthaltenen Elektronik Wasser kondensieren. Um einen Defekt zu vermeiden, muss sich das Gerät erst in der neuen Umgebung akklimatisiert haben, bevor es an die Stromversorgung angeschlossen werden kann.
- VORSICHT: Das Gehäuse dieses Produkts kann während des Betriebs heiß werden.
- Installieren Sie das Gerät an einem Ort mit ausreichender Belüftung und mit einem Abstand von mindestens 50 cm zu den angrenzenden Flächen.
- Belassen Sie KEINE entflammaren Materialien in einem Umkreis von 50 cm dieses Geräts, während es in Betrieb oder an der Stromversorgung angeschlossen ist.
- VERWENDEN Sie bei Montage über Kopf immer ein Sicherheitsseil.
- Nehmen sie das Gerät NICHT im Freien oder an einem Ort in Betrieb, der durch Staubentwicklung, übermäßige Hitze, Wasser oder hohe Luftfeuchtigkeit charakterisiert ist. (IP20)
- NIEMALS das Gerät in Betrieb nehmen, wenn Ihnen das Gehäuse, die Linsen oder das Kabel beschädigt erscheinen.
- Schließen Sie dieses Gerät NICHT an einen Dimmer oder Regelwiderstand an.
- Schließen Sie dieses Produkt NUR an einen mit der Erde verbundenen und geschützten Stromkreis an.
- Das Gerät NUR an den Hänge-/Befestigungsbügeln oder Griffen tragen.
- Bei ernsthaften Betriebsproblemen stoppen Sie umgehend die Verwendung des Geräts.
- Die maximal zulässige Umgebungstemperatur beträgt 45 °C. Nehmen Sie das Gerät nicht bei höheren Temperaturen in Betrieb.

FCC-Konformität

Dieses Gerät erfüllt Teil 15, Teil B, der FCC-Bestimmungen. Der Betrieb ist an folgende zwei Bedingungen geknüpft:

1. Dieses Gerät darf keine schädlichen Interferenzen verursachen, und
2. Dieses Gerät muss empfangende Interferenzen aufnehmen können, auch Interferenzen, die eventuell einen unerwünschten Betrieb verursachen.

Jegliche Änderungen oder Modifikationen, die nicht ausdrücklich von der Partei genehmigt wurden, die für die Compliance zuständig ist, könnten die Berechtigung des Benutzers zum Betrieb dieses Geräts aufheben.

Warnung vor Exposition gegenüber HF für Nordamerika und Australien

Warnung! Dieses Gerät entspricht den FCC-Grenzwerten für Strahlenbelastung, die für eine nicht kontrollierte Umgebung festgelegt wurden. Dieses Gerät sollte so installiert und in Betrieb gesetzt werden, dass ein Mindestabstand von 20 cm zwischen dem Gerät und Ihrem Körper gewährleistet ist. Der Sender darf nicht in der Nähe anderer Antennen oder Sender aufgestellt oder in Verbindung mit anderen Antennen oder Sendern betrieben werden.

Kontakt

Kunden außerhalb der USA, GB, Irland, Benelux, Frankreich, Deutschland oder Mexiko wenden sich an ihren Lieferanten, um den Kundensupport in Anspruch zu nehmen oder ein Produkt zurückzuschicken. Kontaktinformationen finden Sie im [Contact Us](#) am Ende dieses QRG.

Packungsinhalt

- Maverick MK3 Spot mit Blendschutz
- 2 Omega-Hängebügel mit Befestigungsmaterial
- Seetronic Powerkon IP65 Netzkabel
- Schnellanleitung

Wechselstrom

Dieses Gerät verfügt über ein Vorschaltgerät, das automatisch die anliegende Spannung erkennt, sobald der Netzstecker in die Schukosteckdose gesteckt wird, und kann mit einer Eingangsspannung von 100~240 V AC, 50/60 Hz arbeiten.

Wechselstromstecker

Anschluss	Draht (USA)	Draht (Europa)	Schraubenfarbe
Stromführender AC-Leiter	Schwarz	Braun	Gelb/Messingfarben
AC-Neutralleiter	Weiß	Blau	Silber
AC-Erdungsleiter	Grün/Gelb	Grün/Gelb	Grün



Um unnötigen Verschleiß zu vermeiden und die Lebensdauer des Geräts zu verlängern, trennen Sie während längerer Perioden des Nichtgebrauchs das Gerät vom Stromnetz – entweder per Trennschalter oder durch Herausziehen des Steckers aus der Steckdose.

Auswechseln der Sicherung

1. Trennen Sie das Gerät vom Stromnetz.
2. Mit einem Flachkopfschraubendreher lösen Sie die Abdeckung des Sicherungshalters vom Gehäuse.
3. Entfernen Sie die durchgebrannte Sicherung, und ersetzen Sie diese durch eine Sicherung des gleichen Typs und mit den gleichen Werten.
4. Schrauben Sie die Abdeckung der Sicherung wieder ein, und schließen Sie das Gerät wieder an das Stromnetz an.

DMX-Verbindung

Der Maverick MK3 Spot kann mit einem DMX-Controller betrieben werden, wenn eine 3- oder 5-polige DMX-Serienschaltung zum Einsatz kommt. Sie können sich eine Einführung in DMX unter www.chauvetprofessional.com herunterladen.

DMX-Anschluss

Der Maverick MK3 Spot nutzt zur seiner Kontrollpersönlichkeiten: **31Ch** und **39Ch** eine 3- oder 5-polige DMX-Datenverbindung. Informationen zum Anschließen und Konfigurieren des Geräts für einen DMX-Betrieb finden Sie in der Bedienungsanleitung.

Signalanschlüsse

Sie können den Maverick MK3 Spot per Ethernet mit einer Controller-Software verbinden. Werden an de mit Art-Net™ oder sACN kompatible Produkte zusammen mit dem Maverick MK3 Spot verwendet, können Sie jedes der Produkte innerhalb eines einzigen Netzwerks ansteuern. Informationen zum Anschließen und Konfigurieren des Produkts für diese Signale finden Sie in der Bedienungsanleitung.

Art-Net™-Verbindung

Art-Net™ ist ein Ethernet-Protokoll, das mit TCP/IP eine große Menge an DMX512-Daten über ein großes Netzwerk an eine Neutrik® etherCON® RJ45-Verbindung überträgt. Das Dokument des Art-Net™-Protokolls können Sie unter www.chauvetprofessional.com herunterladen. Chauvet Professional empfiehlt für beste Ergebnisse die Verwendung von unicast Art-Net™.

Art-Net™-Design und -Copyright Artistic Licence Holdings Ltd.

sACN-Verbindung

Das auch als ANSI E1.31 bekannte Streaming-ACN ist ein Ethernet-Protokoll, das auf das Layering und die Formatierung von Architecture for Control Networks zurückgreift, um DMX512-Daten "over IP" oder ein anderes mit ACN kompatibles Netzwerk übermittelt.

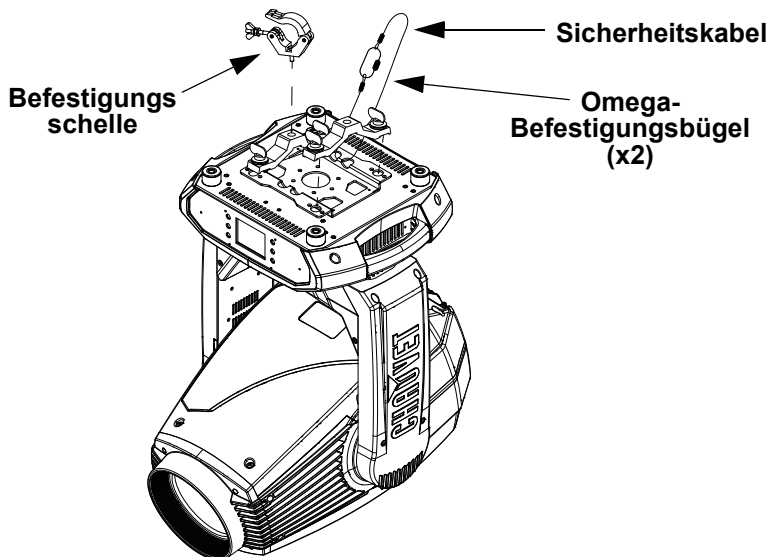
RDM (Remote Device Management)

Remote Device Management bzw. RDM ist ein Standard, mit dem DMX-aktivierte Geräte bidirektional entlang bestehender DMX-Kabel kommunizieren können. Lesen Sie die Bedienungsanleitung des DMX-Controllers oder wenden Sie sich an den Hersteller, da nicht alle DMX-Controller über diese Funktion verfügt. Der Maverick MK3 Spot unterstützt das RDM-Protokoll, das ein Feedback zur Vornahme von Änderungen der Menüoptionen erlaubt. Laden Sie für weiterführende Informationen unter www.chauvetprofessional.com das Benutzerhandbuch herunter.

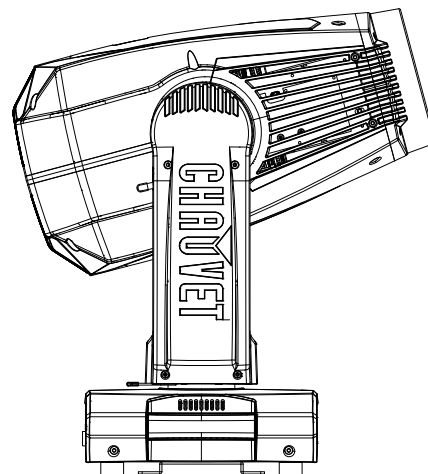
Montage

Lesen Sie vor der Montage dieses Geräts die [Sicherheitshinweise](#) durch. Mindestens zwei Befestigungspunkt pro Gerät verwenden. Stellen Sie sicher, dass die Befestigungsklemmen dafür ausgelegt sind, das Produktgewicht tragen zu können. Informationen zu unserer CHAUVET-Produktlinie für Befestigungsklemmen finden Sie unter <http://trusst.com/productcategory/truss-clamps/>.

Montageansicht



Über-Kopf-Montage



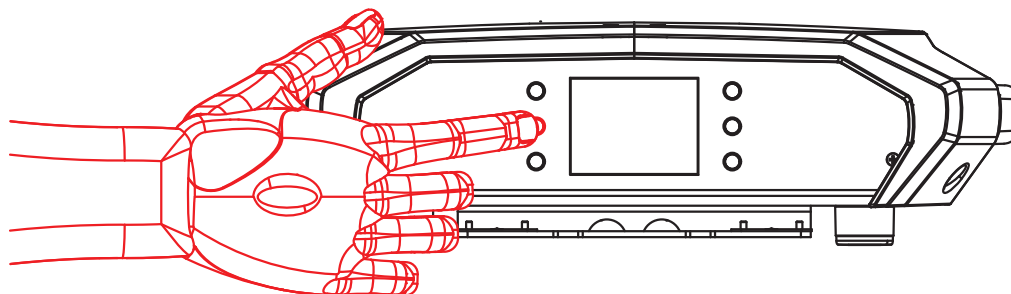
Aufstellung des Geräts auf dem Boden

Beschreibung des Bedienfeldes

Taste	Name	Funktion
< ↑ >	<UP>	Damit navigieren Sie sich durch die Menüpunkte nach oben oder erhöhen den numerischen Wert der entsprechenden Funktion
< ≡ >	<MENU>	Damit verlassen Sie das aktuelle Menü oder die Funktion
< ↓ >	<DOWN>	Damit navigieren Sie sich durch die Menüpunkte nach unten oder verringern den numerischen Wert der entsprechenden Funktion
< ← >	<LEFT>	Damit navigieren Sie nach links durch die Menüpunkte
< ↵ >	<ENTER>	Damit wird das aktuell angezeigte Menü aktiviert oder der aktuell ausgewählte Wert einer Funktion eingestellt
< → >	<RIGHT>	Damit navigieren Sie nach rechts durch die Menüpunkte

Batteriebetriebene Anzeige

Halten Sie gedrückt, bis der Menübildschirm angezeigt wird (ungefähr 15 Sekunden).



Menüstruktur

Hauptebene	Programmirebenen		Beschreibung
Address	001-512		Stellt die DMX-Startadresse ein
Network Setup	IP Mode	Manual	Auswahl des IP-Modus
		DHCP	
		Static	
	Universe	000-255	Setze das Universum
	Ip	002.243.075.222	IP-Einstellung
	SubMask	255.000.000.000	Subnetzmaske
Personality	DMX 31CH	YES	Wählen Sie 31 DMX-Kanäle
		NO	
	DMX 39CH	NO	Wählen Sie 39 DMX-Kanäle
		YES	
Settings	Control Mode	DMX	Signalauswahl
		WDMX	
		ArtNet	
		sACN	
	Pan Reverse	NO	Reverse Pan-Modus
		YES	
	Tilt Reverse	NO	Reverse Tilt-Modus
		YES	
	Screen Reverse	NO	Den Bildschirm manuell oder automatisch umkehren
		YES	
		AUTO	
	Pan Angle	540	Ändern Sie den Schwenkwinkel
		360	
		180	
	Tilt Angle	270	Ändern Sie den Neigungswinkel
180			
90			
BL. O. P/T Move	NO	XY-Blackout aktivieren / deaktivieren	
	YES		
BL. O. Color Move	NO	Blackout aktivieren / deaktivieren	
	YES		
BL. O. Gobo Move	NO	Gobo-Blackout aktivieren / deaktivieren	
	YES		
Calibration	NO	Aktivieren Sie die Kalibrierung	
	YES		

Hauptebene	Programmirebenen		Beschreibung
Settings (Fortsetzung)	Touchscreen Lock	NO	Sperren Sie den Touchscreen
		YES	
	Lock Screen	NO	Sperren Sie die Tasten und den Touchscreen
		YES	
	Swap XY	NO	Tauschen Sie die Pfanne und kippen Sie sie aus
		YES	
	WDMX Reset	NO	Setzen Sie den Wireless DMX zurück
		YES	
	Backlight Timer	30S	Stellen Sie die Hintergrundbeleuchtung so ein, dass sie nach einer bestimmten Zeit automatisch ausgeschaltet wird
		1M	
		5M	
		ON	
	Loss of Data	Hold	Verlust der Dateneinstellung
		Close	
	Fans	Auto	Ändern Sie den Lüftergeschwindigkeitsmodus
		Full	
		ECO	
	Dimmer Curve	Linear	Stellen Sie die Dimmerkurve ein
		Square	
		I Squa	
SCurve			
PWM Option	600Hz	PWM-Auswahl	
	1200Hz		
	2000Hz		
	4000Hz		
	6000Hz		
	15000Hz		
Preset Select	PRESET A	Aufgezeichnete voreingestellte Menüoptionen	
	PRESET B		
	PRESET C		
Preset Sync	NO	Ermöglicht die Übertragung der aufgezeichneten voreingestellten Menüoptionen an andere Maverick MK3-Spots in der DMX-Verkettung	
	YES		
Reset Function	Pan/Tilt	YES/NO	Einzelne Funktionen auf Werkseinstellung zurücksetzen
	Iris/Prism		
	Color/CMY		
	Gobo/Gobo Rotate		
	Frost/Animation		
	All		
Factory Settings	NO	Setzt alle Funktionen auf die Standardeinstellungen zurück	
	YES		

Hauptebene	Programmirebenen		Beschreibung	
Test	Auto Test		Startet die Testsequenz des Produkts	
	Manual Test	Pan	000-255	Ermöglicht die manuelle Steuerung aller Einstellungen vom Bedienfeld aus
		Pan Fine		
		Tilt		
		Tilt Fine		
		P/T Speed		
		Dimmer		
		Dimmer Fine		
		Shutter		
		Virtual Shaking		
		Cyan		
		Magenta		
		Yellow		
		CTO		
		Color		
		Gobo		
		Gobo Rotate		
		Gobo Index		
		Gobo2		
		Gobo3		
		Gobo3 Rotate		
		Gobo3 Index		
		Animation		
		Animation Rotate		
		Focus		
		Focus Fine		
		Focus Auto		
		Zoom		
		Zoom Fine		
		Prism		
		Prism Rotate		
	Prism2			
Prism2 Rotate				
Iris				
Frost				
Frost2				
CRI Filter				
CMY Macro				
CMY Macro Speed				
Special Function				
Information	Fixture Information	Ver	Aktuelle Version	
		Running Mode	Aktueller Modus	
		DMX Address		
		Temperature	Aktuelle Temperatur	
		Fixture Hours	Aktuelle aktive Stunden	
		Ip	Aktuelle IP-Adresse	
		SubMask	Aktuelle Subnetzmaske	
MAC	MAC-Adresse			

Hauptebene	Programmirebenen		Beschreibung
	Fan Information	head Fan1 Speed	Geschwindigkeitseinstellung anzeigen
		head Fan2 Speed	
head Fan3 Speed			
head Fan4 Speed			
head Fan5 Speed			
head Fan6 Speed			
	Error Information	_____	Erscheint auf dem Bildschirm
Information (Fortsetzung)	Channel Information	Frequency	Hz
		Pan	000–255
		Pan Fine	
		Tilt	
		Tilt Fine	
		P/T Speed	
		Dimmer	
		Dimmer Fine	
		Shutter	
		Virtual Shaking	
		Cyan	
		Magenta	
		Yellow	
		CTO	
		Color	
		Gobo	
		Gobo Rotate	
		Gobo Index	
		Gobo2	
		Gobo3	
		Gobo3 Rotate	
		Gobo3 Index	
		Animation	
		Animation Rotate	
		Focus	
		Focus Fine	
		Focus Auto	
		Zoom	
		Zoom Fine	
		Prism	
		Prism Rotate	
		Prism2	
		Prism2 Rotate	
		Iris	
Frost			
Frost2			
CRI Filter			
CMY Macro			
CMY Macro Speed			
Special Function			
			Zeigt alle aktuellen Werte der Eingangssignale an, 000–255

DE

DMX Werte

Dmx Mode 39 CH

Kanal	Funktion	Wert	Prozent/Einstellung
1	Schwenkung	000 ⇔ 255	0–100%
2	Schwenkung fein	000 ⇔ 255	Feinsteuerung (16-Bit)
3	Neigung	000 ⇔ 255	0–100%
4	Neigung fein	000 ⇔ 255	Feinsteuerung (16-Bit)
5	Schwenk- und Neige-Geschwindigkeit	000 ⇔ 255	0–100%
6	Dimmer	000 ⇔ 255	0–100%
7	Dimmer fein	000 ⇔ 255	Feinsteuerung (16-Bit)
8	Shutter	000 ⇔ 003	Geschlossen
		004 ⇔ 007	Offen
		008 ⇔ 076	Langsam bis schnell
		077 ⇔ 145	Synchronisierung Stroboskopeffekt, langsam bis schnell
		146 ⇔ 215	Zufälliger Effekt von langsam bis schnell
216 ⇔ 255	Geschlossen		
9	Virtueller shutter	000 ⇔ 255	0–100%
10	Cyan	000 ⇔ 255	0–100%
11	Magenta	000 ⇔ 255	0–100%
12	Gelb	000 ⇔ 255	0–100%
13	CTO	000 ⇔ 255	0–100%
14	Farbrad	000 ⇔ 007	Offen
		008 ⇔ 015	Rot
		016 ⇔ 023	Orange
		024 ⇔ 031	Grün
		032 ⇔ 039	Gelb
		040 ⇔ 047	Blau
		048 ⇔ 059	CTB 8000K
		060 ⇔ 187	Geteilte Farben
		188 ⇔ 219	Farbverlauf im Uhrzeigersinn, schnell bis langsam
		220 ⇔ 223	Halt
224 ⇔ 255	Farbverlauf im Gegenuhrzeigersinn, langsam bis schnell		
15	Rotierendes Goborad 1	000 ⇔ 007	Offen
		008 ⇔ 015	Gobo 1 (Segelboote)
		016 ⇔ 023	Gobo 2 (Radialer Punkt)
		024 ⇔ 031	Gobo 3 (Rasenmäherklinge)
		032 ⇔ 039	Gobo 4 (Bolzen)
		040 ⇔ 047	Gobo 5 (Duschglas)
		048 ⇔ 055	Gobo 6 (Ballistische Wolken)
		056 ⇔ 063	Gobo 7 (Vier Augen)
		064 ⇔ 071	Gobo 7 Schütteln
		072 ⇔ 079	Gobo 6 Schütteln
		080 ⇔ 087	Gobo 5 Schütteln
		088 ⇔ 095	Gobo 4 Schütteln
		096 ⇔ 103	Gobo 3 Schütteln
		104 ⇔ 111	Gobo 2 Schütteln
		112 ⇔ 119	Gobo 1 Schütteln
		120 ⇔ 127	Offen
		128 ⇔ 191	Gobo-Scroll im Uhrzeigersinn, langsam bis schnell
		192 ⇔ 255	Gobo-Scroll im Gegenuhrzeigersinn, langsam bis schnell
16	Gobo 1 Drehen	000 ⇔ 063	Rotierender Gobo-Index
		064 ⇔ 145	Im Uhrzeigersinn drehend, schnell bis langsam
		146 ⇔ 151	Halt
		152 ⇔ 231	Gegen den Uhrzeigersinn drehen, langsam bis schnell
		232 ⇔ 255	Bounce-Effekt
17	Feines Goborad 1 Index	000 ⇔ 255	Feinsteuerung (16 Bit)

Kanal	Funktion	Wert	Prozent/Einstellung
18	Statisches Gobo-Rad 2	000 ⇔ 005	Offen
		006 ⇔ 011	Gobo 1 (Strahl)
		012 ⇔ 017	Gobo 2 (Riegel)
		018 ⇔ 023	Gobo 3 (Kreise)
		024 ⇔ 029	Gobo 4 (Zerbrechen)
		030 ⇔ 035	Gobo 5 (Punkte)
		036 ⇔ 041	Gobo 6 (Schaltungen)
		042 ⇔ 047	Gobo 7 (Dreiecke)
		048 ⇔ 053	Gobo 8 (Wald)
		054 ⇔ 063	Gobo 9 (Regenbögen)
		064 ⇔ 069	Gobo 9 Schütteln
		070 ⇔ 075	Gobo 8 Schütteln
		076 ⇔ 081	Gobo 7 Schütteln
		082 ⇔ 087	Gobo 6 Schütteln
		088 ⇔ 093	Gobo 5 Schütteln
		094 ⇔ 099	Gobo 4 Schütteln
		100 ⇔ 105	Gobo 3 Schütteln
		106 ⇔ 111	Gobo 2 Schütteln
112 ⇔ 117	Gobo 1 Schütteln		
118 ⇔ 127	Offen		
128 ⇔ 191	Gobo-Scroll im Uhrzeigersinn, langsam bis schnell		
192 ⇔ 255	Gobo-Scroll im Gegenuhrzeigersinn, langsam bis schnell		
19	Rotierendes Goborad 3	000 ⇔ 007	Offen
		008 ⇔ 015	Gobo 1 (Spirale)
		016 ⇔ 023	Gobo 2 (Abstrakte Formen)
		024 ⇔ 031	Gobo 3 (Ziegelwand)
		032 ⇔ 039	Gobo 4 (Schach)
		040 ⇔ 047	Gobo 5 (Granny Sue)
		048 ⇔ 055	Gobo 6 (Farbe weben)
		056 ⇔ 063	Gobo 7 (Indigo-Quadrate)
		064 ⇔ 071	Gobo 7 Schütteln
		072 ⇔ 079	Gobo 6 Schütteln
		080 ⇔ 087	Gobo 5 Schütteln
		088 ⇔ 095	Gobo 4 Schütteln
		096 ⇔ 103	Gobo 3 Schütteln
		104 ⇔ 111	Gobo 2 Schütteln
		112 ⇔ 119	Gobo 1 Schütteln
		120 ⇔ 127	Offen
128 ⇔ 191	Gobo-Scroll im Uhrzeigersinn, langsam bis schnell		
192 ⇔ 255	Gobo-Scroll im Gegenuhrzeigersinn, langsam bis schnell		
20	Gobo 3 Drehen	000 ⇔ 063	Rotierender Gobo-Index
		064 ⇔ 145	Im Uhrzeigersinn drehend, schnell bis langsam
		146 ⇔ 151	Halt
		152 ⇔ 231	Gegen den Uhrzeigersinn drehen, langsam bis schnell
		232 ⇔ 255	Bounce-Effekt
21	Feines Goborad 3 Index	000 ⇔ 255	Feinststeuerung (16 Bit)
22	Animationsrad	000 ⇔ 255	Animationseffekt
23	Animationsrad drehen	000 ⇔ 124	Im Uhrzeigersinn drehend, schnell bis langsam
		125 ⇔ 130	Halt
		131 ⇔ 255	Gobo-Scroll im Gegenuhrzeigersinn, schnell bis langsam
24	Fokus	000 ⇔ 255	0–100%
25	Feiner Fokus	000 ⇔ 255	Feinststeuerung (16 Bit)

Kanal	Funktion	Wert	Prozent/Einstellung
26	Autofokus	000 ⇔ 010	Keine Funktion
		011 ⇔ 030	0–5 m
		031 ⇔ 050	6 m
		051 ⇔ 070	7 m
		071 ⇔ 090	8 m
		091 ⇔ 110	9 m
		111 ⇔ 130	10 m
		131 ⇔ 150	12.5 m
		151 ⇔ 170	15 m
		171 ⇔ 190	17.5 m
		191 ⇔ 210	20–60 m
		211 ⇔ 255	Entfernung automatisch erkennen
27	Zoomen	000 ⇔ 255	0–100%
28	Feiner Zoom	000 ⇔ 255	Feinststeuerung (16 Bit)
29	Prisma	000 ⇔ 004	Keine Funktion
		005 ⇔ 255	Prismeneffekt
30	Rotierendes Prisma	000 ⇔ 127	Drehposition
		128 ⇔ 189	Im Uhrzeigersinn drehend, schnell bis langsam
		190 ⇔ 193	Halt
		194 ⇔ 255	Gegen den Uhrzeigersinn drehen, langsam bis schnell
31	Prisma 2	000 ⇔ 004	Keine Funktion
		005 ⇔ 255	Prismeneffekt
32	Rotierendes Prisma 2	000 ⇔ 127	Drehposition
		128 ⇔ 189	Im Uhrzeigersinn drehend, schnell bis langsam
		190 ⇔ 193	Halt
		194 ⇔ 255	Gegen den Uhrzeigersinn drehen, langsam bis schnell
33	Iris	000 ⇔ 063	0–100%
		064 ⇔ 127	Automatische Änderung, langsam bis schnell
		128 ⇔ 191	Langsam herauszoomen, schnell hineinzoomen
		192 ⇔ 255	Langsam zoomen, schnell verkleinern
34	Frost 1	000 ⇔ 255	0–100%
35	Frost 2	000 ⇔ 255	0–100%
36	CRI-Filter	000 ⇔ 004	Keine Funktion
		005 ⇔ 255	CRI-Filter
37	CMY-Makro	000 ⇔ 009	Keine Funktion
		010 ⇔ 255	CMY-Makro
38	CMY-Makrodrehzahl	000 ⇔ 255	0–100%

Kanal	Funktion	Wert	Prozent/Einstellung
39	Steuerung	000 ⇔ 007	Keine Funktion
		008 ⇔ 015	Blackout Schwenken / Neigen
		016 ⇔ 023	Farbe Blackout
		024 ⇔ 031	Gobo-Blackout
		032 ⇔ 039	Schwenken / Neigen / Farbe Blackout
		040 ⇔ 047	Schwenken / Neigen / Gobo-Blackout
		048 ⇔ 055	Schwenken / Neigen / Farbe / Gobo-Blackout
		056 ⇔ 095	Keine Funktion
		096 ⇔ 103	Schwenken zurücksetzen
		104 ⇔ 111	Neigen zurücksetzen
		112 ⇔ 119	Farbe zurücksetzen
		120 ⇔ 127	Gobo zurücksetzen
		128 ⇔ 135	Keine Funktion
		136 ⇔ 143	Setzen Sie das Prisma zurück
		144 ⇔ 151	Alles zurückgesetzt
		152 ⇔ 159	Iris zurückgesetzt
		160 ⇔ 167	Frost zurückgesetzt
		168 ⇔ 175	Zoom zurücksetzen
		176 ⇔ 183	CMY zurücksetzen
		184 ⇔ 191	Lüfter mit niedriger Geschwindigkeit
		192 ⇔ 199	Lüfter volle Geschwindigkeit
		200 ⇔ 207	Automatischer Lüfter
		208 ⇔ 215	Keine Funktion
		216 ⇔ 220	Iris-Schnellmodus
		221 ⇔ 225	Iris im sanften Modus
		226 ⇔ 230	Schwenk- / Neigungswechsel
		231 ⇔ 235	Schwenken / Neigen auf
		236 ⇔ 240	Schwenken / Neigen ausschalten
		241 ⇔ 245	Keine Funktion
		246 ⇔ 250	Schwenk- / Neigungsmodus glatt
251 ⇔ 255	Schwenk- / Neigungsmodus schnell		

Dmx Mode 31 CH

Kanal	Funktion	Wert	Prozent/Einstellung
1	Schwenkung	000 ⇔ 255	0–100%
2	Schwenkung fein	000 ⇔ 255	Feinsteuerung (16-Bit)
3	Neigung	000 ⇔ 255	0–100%
4	Neigung fein	000 ⇔ 255	Feinsteuerung (16-Bit)
5	Schwenk- und Neige-Geschwindigkeit	000 ⇔ 255	0–100%
6	Dimmer	000 ⇔ 255	0–100%
7	Shutter	000 ⇔ 003 004 ⇔ 007 008 ⇔ 076 077 ⇔ 145 146 ⇔ 215 216 ⇔ 255	Geschlossen Offen Langsam bis schnell Synchronisierung Stroboskopeffekt, langsam bis schnell Zufälliger Effekt von langsam bis schnell Geschlossen
8	Virtueller shutter	000 ⇔ 255	0–100%
9	Cyan	000 ⇔ 255	0–100%
10	Magenta	000 ⇔ 255	0–100%
11	Gelb	000 ⇔ 255	0–100%
12	CTO	000 ⇔ 255	0–100%
13	Farbrad	000 ⇔ 007 008 ⇔ 015 016 ⇔ 023 024 ⇔ 031 032 ⇔ 039 040 ⇔ 047 048 ⇔ 059 060 ⇔ 187 188 ⇔ 219 220 ⇔ 223 224 ⇔ 255	Offen Rot Orange Grün Gelb Blau CTB 8000K Geteilte Farben Farbverlauf im Uhrzeigersinn, schnell bis langsam Halt Farbverlauf im Gegenuhrzeigersinn, langsam bis schnell
14	Rotierendes Goborad 1	000 ⇔ 007 008 ⇔ 015 016 ⇔ 023 024 ⇔ 031 032 ⇔ 039 040 ⇔ 047 048 ⇔ 055 056 ⇔ 063 064 ⇔ 071 072 ⇔ 079 080 ⇔ 087 088 ⇔ 095 096 ⇔ 103 104 ⇔ 111 112 ⇔ 119 120 ⇔ 127 128 ⇔ 191 192 ⇔ 255	Offen Gobo 1 (Segelboote) Gobo 2 (Radialer Punkt) Gobo 3 (Rasenmäherklinge) Gobo 4 (Bolzen) Gobo 5 (Duschglas) Gobo 6 (Ballistische Wolken) Gobo 7 (Vier Augen) Gobo 7 Schütteln Gobo 6 Schütteln Gobo 5 Schütteln Gobo 4 Schütteln Gobo 3 Schütteln Gobo 2 Schütteln Gobo 1 Schütteln Offen Gobo-Scroll im Uhrzeigersinn, langsam bis schnell Gobo-Scroll im Gegenuhrzeigersinn, langsam bis schnell
15	Gobo 1 Drehen	000 ⇔ 063 064 ⇔ 145 146 ⇔ 151 152 ⇔ 231 232 ⇔ 255	Rotierender Gobo-Index Im Uhrzeigersinn drehend, schnell bis langsam Halt Gegen den Uhrzeigersinn drehen, langsam bis schnell Bounce-Effekt

Kanal	Funktion	Wert	Prozent/Einstellung
16	Statisches Gobo-Rad 2	000 ⇔ 005	Offen
		006 ⇔ 011	Gobo 1 (Strahl)
		012 ⇔ 017	Gobo 2 (Riegel)
		018 ⇔ 023	Gobo 3 (Kreise)
		024 ⇔ 029	Gobo 4 (Zerbrechen)
		030 ⇔ 035	Gobo 5 (Punkte)
		036 ⇔ 041	Gobo 6 (Schaltungen)
		042 ⇔ 047	Gobo 7 (Dreiecke)
		048 ⇔ 053	Gobo 8 (Wald)
		054 ⇔ 063	Gobo 9 (Regenbögen)
		064 ⇔ 069	Gobo 9 Schütteln
		070 ⇔ 075	Gobo 8 Schütteln
		076 ⇔ 081	Gobo 7 Schütteln
		082 ⇔ 087	Gobo 6 Schütteln
		088 ⇔ 093	Gobo 5 Schütteln
		094 ⇔ 099	Gobo 4 Schütteln
		100 ⇔ 105	Gobo 3 Schütteln
		106 ⇔ 111	Gobo 2 Schütteln
		112 ⇔ 117	Gobo 1 Schütteln
118 ⇔ 127	Offen		
128 ⇔ 191	Gobo-Scroll im Uhrzeigersinn, langsam bis schnell		
192 ⇔ 255	Gobo-Scroll im Gegenuhrzeigersinn, langsam bis schnell		
17	Rotierendes Goborad 3	000 ⇔ 007	Offen
		008 ⇔ 015	Gobo 1 (Spirale)
		016 ⇔ 023	Gobo 2 (Abstrakte Formen)
		024 ⇔ 031	Gobo 3 (Ziegelwand)
		032 ⇔ 039	Gobo 4 (Schach)
		040 ⇔ 047	Gobo 5 (Granny Sue)
		048 ⇔ 055	Gobo 6 (Farbe weben)
		056 ⇔ 063	Gobo 7 (Indigo-Quadrate)
		064 ⇔ 071	Gobo 7 Schütteln
		072 ⇔ 079	Gobo 6 Schütteln
		080 ⇔ 087	Gobo 5 Schütteln
		088 ⇔ 095	Gobo 4 Schütteln
		096 ⇔ 103	Gobo 3 Schütteln
		104 ⇔ 111	Gobo 2 Schütteln
		112 ⇔ 119	Gobo 1 Schütteln
		120 ⇔ 127	Offen
128 ⇔ 191	Gobo-Scroll im Uhrzeigersinn, langsam bis schnell		
192 ⇔ 255	Gobo-Scroll im Gegenuhrzeigersinn, langsam bis schnell		
18	Gobo 3 Drehen	000 ⇔ 063	Rotierender Gobo-Index
		064 ⇔ 145	Im Uhrzeigersinn drehend, schnell bis langsam
		146 ⇔ 151	Halt
		152 ⇔ 231	Gegen den Uhrzeigersinn drehen, langsam bis schnell
		232 ⇔ 255	Bounce-Effekt
19	Animationsrad	000 ⇔ 255	Animationseffekt
20	Animationsrad drehen	000 ⇔ 124	Im Uhrzeigersinn drehend, schnell bis langsam
		125 ⇔ 130	Halt
		131 ⇔ 255	Gobo-Scroll im Gegenuhrzeigersinn, schnell bis langsam
21	Fokus	000 ⇔ 255	0–100%
22	Zoomen	000 ⇔ 255	0–100%
23	Prisma	000 ⇔ 004	Keine Funktion
		005 ⇔ 255	Prismeneffekt
24	Rotierendes Prisma	000 ⇔ 127	Drehposition
		128 ⇔ 189	Im Uhrzeigersinn drehend, schnell bis langsam
		190 ⇔ 193	Halt
		194 ⇔ 255	Gegen den Uhrzeigersinn drehen, langsam bis schnell
25	Prisma 2	000 ⇔ 004	Keine Funktion
		005 ⇔ 255	Prismeneffekt

SCHNELLANLEITUNG



DE

Kanal	Funktion	Wert	Prozent/Einstellung
26	Rotierendes Prisma 2	000 ⇔ 127	Drehposition
		128 ⇔ 189	Im Uhrzeigersinn drehend, schnell bis langsam
		190 ⇔ 193	Halt
		194 ⇔ 255	Gegen den Uhrzeigersinn drehen, langsam bis schnell
27	Iris	000 ⇔ 063	0–100%
		064 ⇔ 127	Automatische Änderung, langsam bis schnell
		128 ⇔ 191	Langsam herauszoomen, schnell hineinzoomen
		192 ⇔ 255	Langsam zoomen, schnell verkleinern
28	Frost 1	000 ⇔ 255	0–100%
29	Frost 2	000 ⇔ 255	0–100%
30	CRI-Filter	000 ⇔ 004	Keine Funktion
		005 ⇔ 255	CRI-Filter
31	Steuerung	000 ⇔ 007	Keine Funktion
		008 ⇔ 015	Blackout Schwenken / Neigen
		016 ⇔ 023	Farbe Blackout
		024 ⇔ 031	Gobo-Blackout
		032 ⇔ 039	Schwenken / Neigen / Farbe Blackout
		040 ⇔ 047	Schwenken / Neigen / Gobo-Blackout
		048 ⇔ 055	Schwenken / Neigen / Farbe / Gobo-Blackout
		056 ⇔ 095	Keine Funktion
		096 ⇔ 103	Schwenken zurücksetzen
		104 ⇔ 111	Neigen zurücksetzen
		112 ⇔ 119	Farbe zurücksetzen
		120 ⇔ 127	Gobo zurücksetzen
		128 ⇔ 135	Keine Funktion
		136 ⇔ 143	Setzen Sie das Prisma zurück
		144 ⇔ 151	Alles zurückgesetzt
		152 ⇔ 159	Iris zurückgesetzt
		160 ⇔ 167	Frost zurückgesetzt
		168 ⇔ 175	Zoom zurücksetzen
		176 ⇔ 183	CMY zurücksetzen
		184 ⇔ 191	Lüfter mit niedriger Geschwindigkeit
		192 ⇔ 199	Lüfter volle Geschwindigkeit
		200 ⇔ 207	Automatischer Lüfter
		208 ⇔ 215	Keine Funktion
		216 ⇔ 220	Iris-Schnellmodus
		221 ⇔ 225	Iris im sanften Modus
		226 ⇔ 230	Schwenk- / Neigungswechsel
		231 ⇔ 235	Schwenken / Neigen auf
		236 ⇔ 240	Schwenken / Neigen ausschalten
		241 ⇔ 245	Keine Funktion
		246 ⇔ 250	Schwenk- / Neigungsmodus glatt
		251 ⇔ 255	Schwenk- / Neigungsmodus schnell

Over deze handleiding

De Maverick MK3 Spot Beknopte Handleiding (BH) bevat basisinformatie over het product, zoals aansluiting, montage, menu-opties en DMX-waarden. Download de gebruikershandleiding op www.chauvetprofessional.com voor meer informatie.

Disclaimer

De informatie en specificaties in deze BH kunnen zonder voorafgaande kennisgeving worden gewijzigd.

BEPERKTE GARANTIE

GA NAAR ONZE WEBSITE VOOR REGISTRATIE VAN DE GARANTIE EN DE VOLLEDIGE ALGEMENE VOORWAARDEN.

Voor klanten in de Verenigde Staten en Mexico: www.chauvetlighting.com/warranty-registration.

Voor klanten in het Verenigd Koninkrijk, Ierland, België, Nederland, Luxemburg, Frankrijk en Duitsland: www.chauvetlighting.eu/warranty-registration.

Chauvet garandeert dat dit product bij normaal gebruik vrij zal blijven van defecten in materiaal en vakmanschap, voor de opgegeven periode en onder voorbehoud van de uitzonderingen en beperkingen die zijn uiteengezet in de volledige beperkte garantie op onze website. Deze garantie geldt uitsluitend voor de oorspronkelijke koper van het product en is niet overdraagbaar. Om onder deze garantie rechten uit te oefenen, moet u een aankoopbewijs overleggen in de vorm van een origineel verkoopbewijs van een geautoriseerde dealer, waarop de naam van het product en de aankoopdatum zichtbaar zijn. ER ZIJN GEEN ANDERE EXPLICIETE OF IMPLICIETE GARANTIES. Deze garantie geeft u specifieke wettelijke rechten. Mogelijk heeft u ook andere rechten die van staat tot staat en van land tot land verschillen. Deze garantie is uitsluitend geldig in de Verenigde Staten, het Verenigd Koninkrijk, Ierland, België, Nederland, Luxemburg, Frankrijk, Duitsland en Mexico. Neem contact op met uw lokale verkoper voor garantievoorwaarden in andere landen.

Veiligheidsinstructies

- Open het product NIET. Het bevat geen te onderhouden onderdelen.
- KIJK NIET in de lichtbron wanneer het apparaat is ingeschakeld.
- LET OP: De knipperende lamp kan epileptische aanvallen opwekken. De gebruiker moet zich houden aan lokale wetgeving met betrekking tot melding van stroboscoopgebruik.
- Om onnodige slijtage te elimineren en zijn levensduur te verlengen, gedurende perioden wanneer het product niet wordt gebruikt, moet u het product van de stroom afsluiten door een aardlekschakelaar om te zetten of door het te ontkoppelen.
- LET OP: Bij het verplaatsen van het product uit extreme omgevingen, (bijv. koude vrachtwagen naar warme, vochtige balzaal) kan er condensvorming optreden op de elektronica van het product. Om storingen te vermijden moet het product volledig kunnen acclimatiseren aan de omgeving voordat het op stroom wordt aangesloten.
- LET OP: De behuizing van dit product kan heet zijn wanneer het in bedrijf is.
- Monteer dit product op een plek met voldoende ventilatie, ten minste 50 cm van de aangrenzende oppervlakken.
- Plaats geen ontvlambaar materiaal binnen 50 cm van dit product als het in gebruik is of is aangesloten op het stopcontact.
- GEBRUIK een veiligheidskabel bij het boven het hoofd plaatsen van dit product.
- Gebruik dit product NIET buitenshuis of op een locatie waar stof, grote warmte, water of vochtigheid het kunnen beïnvloeden. (IP20)
- Gebruik dit product NIET als de behuizing, lenzen of kabels beschadigd lijken.
- Sluit dit product NIET aan op een dimmer of een regelweerstand.
- Sluit dit product UITSLUITEND op een geaard en beveiligd stroomcircuit.
- Gebruik UITSLUITEND de montagebeugels of de hendels om dit product te dragen. Draag het product niet aan de bewegende kop.
- Stop in het geval van ernstige operationele problemen onmiddellijk met het gebruik.
- De maximale omgevingstemperatuur bedraagt 45 °C. Gebruik dit product niet bij hogere temperaturen.

FCC-naleving

Dit apparaat voldoet aan Part 15 Part B van de FCC-regels. Het gebruik is onderworpen aan de volgende twee voorwaarden:

1. Dit apparaat mag geen schadelijke interferentie veroorzaken, en
2. Dit apparaat moet enige ontvangen interferentie accepteren, inclusief interferentie die een ongewenste werking kan veroorzaken.

Eventuele wijzigingen of aanpassingen die niet uitdrukkelijk door de voor naleving verantwoordelijke partij zijn goedgekeurd, kan de bevoegdheid van de gebruiker om de apparatuur te bedienen ongeldig verklaren.

RF-blootstellingswaarschuwing voor Noord-Amerika en Australië

Waarschuwing! Deze apparatuur voldoet aan de FCC-limieten voor blootstelling aan straling die zijn vastgesteld voor een ongecontroleerde omgeving. Deze apparatuur moet geplaatst en gebruikt worden met een minimale afstand van 20 cm tussen de radiator en uw lichaam. Deze zender mag niet op dezelfde locatie worden gebruikt als of geplaatst worden bij een andere antenne of zender.

Contact

Van buiten de VS, Verenigd Koninkrijk, Ierland, Benelux, Frankrijk, Duitsland of Mexico kunt u contact opnemen met de distributeur of om ondersteuning vragen dan wel het product retourneren. Raadpleeg [Contact Us](#) aan het einde van deze BH voor contactinformatie.

Wat is inbegrepen

- Maverick MK3 Spot met verblindingscherm
- Seetronic Powerkon IP65 stroomsnoer
- 2 Omegabeugels met bevestigingsapparatuur
- Beknopte handleiding

AC-stroom

Dit product heeft een voeding met automatisch bereik die werkt met een ingangsspanning van 100–240 VAC, 50/60 Hz.

AC-stekker

Aansluiting	Snoer (VS)	Snoer (Europa)	Schroefkleur
AC Live	Zwart	Bruin	Geel/messing
AC Neutraal	Wit	Blauw	Zilver
AC Aarde	Groen/geel	Groen/geel	Groen



Om onnodige slijtage te elimineren en zijn levensduur te verlengen, gedurende perioden wanneer het product niet wordt gebruikt, moet u het product van de stroom afsluiten door een aardlekschakelaar om te zetten of door het te ontkoppelen.

De zekering vervangen

1. Ontkoppel dit product van de stroom.
2. Gebruik een platkopschroevendraaier en schroef de kap van de zekeringshouder los van de behuizing.
3. Verwijder de doorgebrande zekering en vervang het met een werkende zekering van hetzelfde type en met dezelfde waarde.
4. Schroef de kap van de zekeringhouder terug en steek de stekker er weer in.

DMX-koppeling

De Maverick MK3 Spot kan met een DMX-controller werken met een 3- of 5-pins DMX seriële verbinding. Op www.chauvetprofessional.com is een DMX basishandleiding verkrijgbaar.

DMX-aansluiting

De Maverick MK3 Spot gebruikt een normale DMX-gegevensverbinding voor zijn DMX-persoonlijkheden: **39Ch** en **31Ch**. Zie de gebruikershandleiding om te verbinden en te configureren voor DMX-werking.

Signaal-verbindingen

U kunt de Maverick MK3 Spot aansluiten op een controller of controllersoftware met behulp van een DMX-aansluiting, een ethernetverbinding of beide. Bij het gebruik van andere Art-Net™ of sACN-compatible producten met de Maverick MK3 Spot, kunt u deze individueel aansturen op een enkel netwerk. Zie de gebruikershandleiding voor meer informatie over het verbinden en configureren van het product voor deze signalen.

Art-Net™ aansluiting

Art-Net™ is een ethernet-protocol dat gebruikmaakt van TCP/IP dat over een groot netwerk grote hoeveelheden DMX512-gegevens verzendt met behulp van een etherCON RJ45-verbinding. Een Art-Net™-protocoldocument is te verkrijgen op www.chauvetprofessional.com. Chauvet Professional raadt het gebruik van unicast-modus voor het beste resultaat.

Art-Net™ ontworpen en auteursrecht door Artistic Licence Holdings Ltd.

sACN aansluiting

Streaming-ACN staat ook wel bekend als ANSI E1.31 en is een ethernetprotocol dat de laag- en opmaakstructuur gebruikt van Architecture for Control Networks om DMX512-gegevens te transporteren over IP of een ander ACN compatibel netwerk.

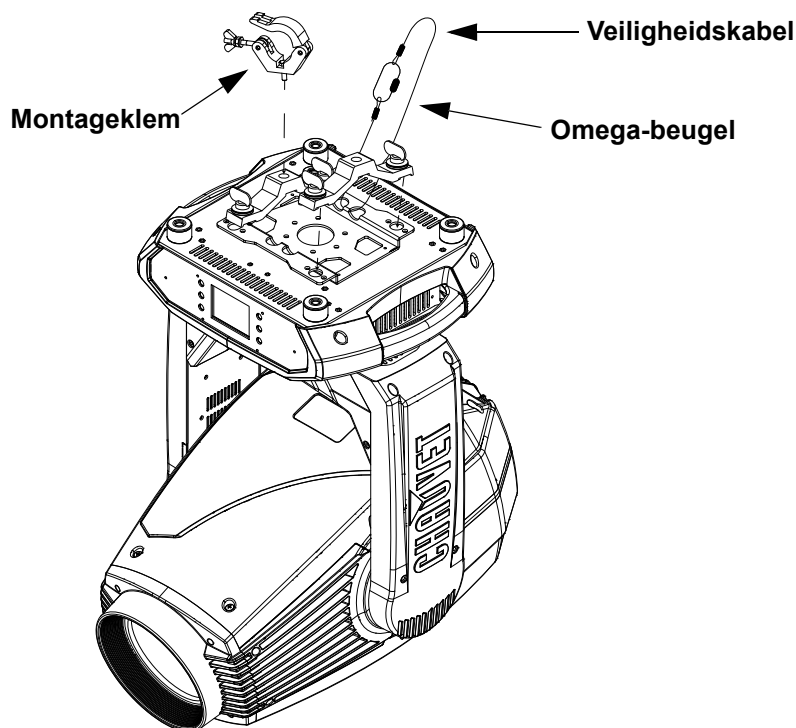
RDM (apparaatbeheer op afstand)

Remote Device Management of RDM (apparaatbeheer op afstand) is een standaard die het voor DMX-apparaten mogelijk maakt om in twee richtingen te communiceren over bestaande DMX-kabels. De Maverick MK3 Spot ondersteunt het RDM-protocol dat zorgt feedback toelaat bij de bewaking van wijzigingen aan de menu map-opties van. Download de gebruikershandleiding op www.chauvetprofessional.com voor meer informatie.

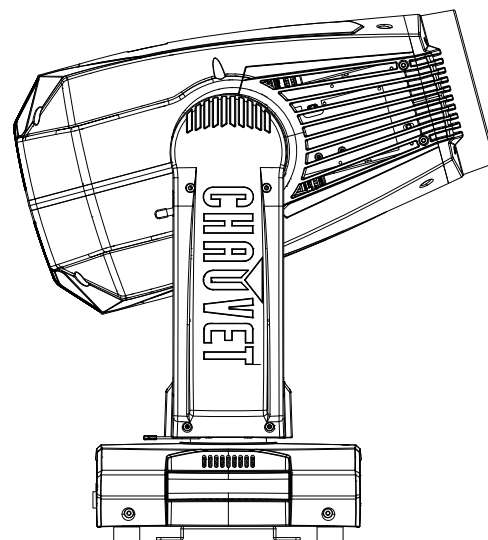
Montage

Lees alvorens dit product te monteren alle [Veiligheidsinstructies](#). Controleer of de montageklem het gewicht van het product kan dragen. Ga voor onze Chauvet-serie montageklemmen naar <http://trusst.com/productcategory/truss-clamps/>

Montagediagram van het product



**Montage boven
het hoofd**



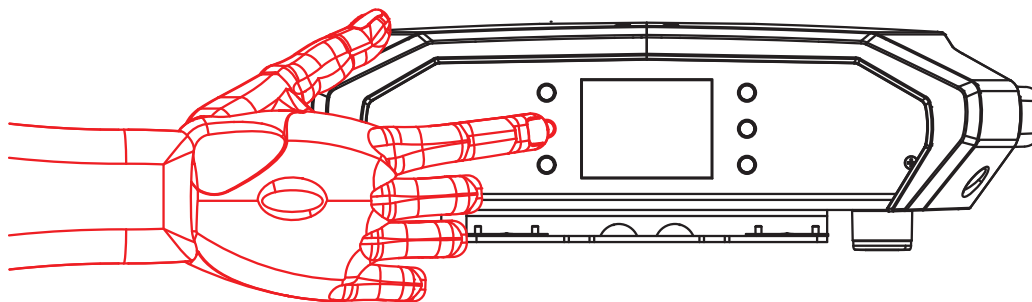
**Plaatsing op de
vloer**

Beschrijving bedieningspaneel

Toets	Name	Functie
< ↑ >	<UP>	Navigeert omhoog via het menu of verhoogt de numerieke waarde wanneer in een functie
< ≡ >	<MENU>	Sluit het huidige menu of functie af
< ↓ >	<DOWN>	Navigeert omlaag via het menu of verlaagt de numerieke waarde wanneer in een functie
< ← >	<LEFT>	Navigeert naar links door de menulijst
< ↵ >	<ENTER>	Activeert het huidige getoonde menu of plaatst de huidige geselecteerde waarde in de geselecteerde functie
< → >	<RIGHT>	Navigeert naar rechts door de menulijst

Batterij-aangedreven display

Ingedrukt houden totdat het menuscherm verschijnt (ongeveer 15 seconden).

**Menukaart**

Hoofdniveau Address	Programmeerniveaus 000–512		Beschrijving
			Netwerkinstelling
Network Setup	IP Mode	Manual	Selectie van IP-modus
		DHCP	
		Static	
	Universe Ip	000–255 002.243.075.222	Stel de Universe in IP-instelling
	SubMask	255.000.000.000	Subnetmasker
Personality	DMX 31CH	YES NO	Kies 31 DMX-kanalen
	DMX 39CH	NO YES	Kies 39 DMX-kanalen
Settings	Control Mode	DMX	Signaalselectie
		WDMX	
		ArtNet	
		sACN	
	Pan Reverse	NO YES	De zwenking omkeren
		NO YES	
	Tilt Reverse	NO YES	Zwenking omkeren
		NO YES	
	Screen Reverse	NO YES	Het scherm handmatig of automatisch omdraaien
		NO YES	
		AUTO	
	Pan Angle	540 360 180	De zwenkhoek wijzigen
		270 180 90	
		NO YES	
	BL. O. P/T Move	NO YES	XY-verduistering inschakelen/ uitschakelen
NO YES			
BL. O. Color Move	NO YES	Kleurverduistering inschakelen/ uitschakelen	
	NO YES		
BL. O. Gobo Move	NO YES	Goboverduistering inschakelen/ uitschakelen	
	NO YES		
Calibration	NO YES	Kalibratie inschakelen	
	NO YES		
Touchscreen Lock	NO YES	Het aanraakscherm vergrendelen	
	NO YES		
Lock Screen	NO YES	Lock knoppen en aanraakscherm	
	NO YES		

Hoofdniveau	Programmeerniveaus		Beschrijving
Setting (vervolg)	Swap X/Y	NO	De kanteling en zwenking omwisselen
		YES	
	WDMX Reset	NO	De draadloze DMX resetten
		YES	
	Backlight Timer	30S	Stel in dat de achtergrondverlichting zich na een bepaalde tijd uitschakelt
		1M	
		5M	
		ON	
	Loss of Data	Hold	Verlies van gegevensinstelling
		Close	
	Fans	Auto	De snelheidsmodus van de ventilator wijzigen
		Full	
		ECO	
	Dimmer Curve	Linear	Stelt de dimcurve in
		Square	
		I Squa	
		SCurve	
	PWM Option	600Hz	Selecteert de PWM-uitgangsfrequentie
1200Hz			
2000Hz			
4000Hz			
6000Hz			
25000Hz			
Preset Select	PRESET A	Opgenoemen vooringestelde menuopties	
	PRESET B		
	PRESET C		
Preset Sync	NO	Zorgt ervoor dat opgenomen vooringestelde menuopties worden overgezet op andere Maverick MK3 Spot in de DMX-keten	
	YES		
Reset Function	Pan/Tilt	YES/NO	
	Iris/Prism		
	Color/CMY		
	Gobo/Gobo Rotate		
	Frost/Animation		
	All		
Factory Settings	NO	Alle functies resetten naar fabrieksinstellingen	
	YES		

Hoofdniveau	Programmeerniveaus		Beschrijving
Test	Auto Test		Het product automatisch testen
	Manual Test	Pan	Elke functie/elk kanaal individueel testen
		Pan Fine	
		Tilt	
		Tilt Fine	
		P/T Speed	
		Dimmer	
		Dimmer Fine	
		Shutter	
		Virtual Shaking	
		Cyan	
		Magenta	
		Yellow	
		CTO	
		Color	
		Gobo	
		Gobo Rotate	
		Gobo Index	
		Gobo2	
		Gobo3	
		Gobo3 Rotate	
		Gobo3 Index	
		Animation	
		Animation Rotate	
		Focus	
		Focus Fine	
		Focus Auto	
		Zoom	
		Zoom Fine	
		Prism	
		Prism Rotate	
Iris			
Frost			
Frost2			
CRI Filter			
CMY Macro			
CMY Macro Speed			
Special Function			

Hoofdniveau	Programmeerniveaus		Beschrijving	
Information	Fixture Information	Ver	Huidige versie	
		Running Mode	Huidige modus	
		DMX Address		
		Temperature	Huidige temperatuur	
		Fixture Hours	Huidige actieve uren	
		Ip	Huidige IP-adres	
		SubMask	Huidige subnet mask	
		MAC	MAC-adres	
	Fan Information	head Fan1 Speed	Toon snelheidsinstelling	
		head Fan2 Speed		
		head Fan3 Speed		
		head Fan4 Speed		
		head Fan5 Speed		
		head Fan6 Speed		
	Error Information	Verschijnt op het scherm		
	Channel Information	Frequency	Hz	Status van individueel kanaal
		Pan	000–255	
		Pan Fine		
		Tilt		
		Tilt Fine		
		P/T Speed		
		Dimmer		
		Dimmer Fine		
		Shutter		
		Virtual Shaking		
		Cyan		
		Magenta		
Yellow				
CTO				
Color				
Gobo				
Gobo Rotate				
Gobo Index				
Gobo2				
Gobo3				
Gobo3 Rotate				
Gobo3 Index				
Animation				
Animation Rotate				
Focus				
Focus Fine				
Focus Auto				
Zoom				
Zoom Fine				
Prism				
Prism Rotate				
Prism2				
Prism2 Rotate				
Iris				
Frost				
Frost2				
CRI Filter				
CMY Macro				
CMY Macro Speed				
Special Function				

DMX-waarden

Dmx Mode 39 CH

Kanaal	Functie	Waarde	Percentage/instelling
1	Zwenken	000 ⇔ 255	0–100%
2	Fijn zwenken	000 ⇔ 255	0–100%
3	Kantelen	000 ⇔ 255	0–100%
4	Fijn kantelen	000 ⇔ 255	0–100%
5	Zwenk-/kantelsnelheid	000 ⇔ 255	0–100%
6	Dimmer	000 ⇔ 255	0–100%
7	Fijne Dimmer	000 ⇔ 255	0–100%
8	Sluiter	000 ⇔ 003 004 ⇔ 007 008 ⇔ 076 077 ⇔ 145 146 ⇔ 215 216 ⇔ 255	Gesloten Open Langzaam tot snel Pulseffect van langzaam tot snel Willekeurig effect van langzaam tot snel Gesloten
9	Virtuele sluiters	000 ⇔ 001 002 ⇔ 128 129 ⇔ 255	Geen functie Stroboscoop trillen, snel naar langzaam Vervagen in / verdwijnen, snel naar langzaam
10	Cyaan	000 ⇔ 255	0–100%
11	Magenta	000 ⇔ 255	0–100%
12	Geel	000 ⇔ 255	0–100%
13	CTO	000 ⇔ 255	0–100%
14	Kleurenwiel	000 ⇔ 007 008 ⇔ 015 016 ⇔ 023 024 ⇔ 031 032 ⇔ 039 040 ⇔ 047 048 ⇔ 059 060 ⇔ 187 188 ⇔ 219 220 ⇔ 223 224 ⇔ 255	Open Rood Oranje Groen Geel Blauw CTB 8000K Gespleten kleuren Kleurwijziging met de klok mee, snel tot langzaam Stop Kleurwijziging tegen de klok in, langzaam tot snel
15	Roterend Gobowiel 1	000 ⇔ 007 008 ⇔ 015 016 ⇔ 023 024 ⇔ 031 032 ⇔ 039 040 ⇔ 047 048 ⇔ 055 056 ⇔ 063 064 ⇔ 071 072 ⇔ 079 080 ⇔ 087 088 ⇔ 095 096 ⇔ 103 104 ⇔ 111 112 ⇔ 119 120 ⇔ 127 128 ⇔ 191 192 ⇔ 255	Open Gobo 1 (Zeilboten) Gobo 2 (Radiale punt) Gobo 3 (Grasmaaierblad) Gobo 4 (Bouten) Gobo 5 (Douche glas) Gobo 6 (Ballistische wolken) Gobo 7 (Vier ogen) Gobo 7 schudden Gobo 6 schudden Gobo 5 schudden Gobo 4 schudden Gobo 3 schudden Gobo 2 schudden Gobo 1 schudden Open Gobowijziging met de klok mee, snel tot langzaam Gobowijziging tegen de klok in, langzaam tot snel
16	Gobo roterend 1	000 ⇔ 063 064 ⇔ 145 146 ⇔ 149 150 ⇔ 231 232 ⇔ 255	Roterende gobo index Roteren met de klok mee, langzaam tot snel Stop Tegen de klok in roteren, langzaam tot snel Stuitereffect
17	Gobo-wiel 1 oplopende index	000 ⇔ 255	0–100%

Kanaal	Functie	Waarde	Percentage/instelling
18	Statisch Gobo-wiel 2	000 ⇔ 005	Open
		006 ⇔ 011	Gobo 1 (Lichtstraal)
		012 ⇔ 017	Gobo 2 (Bars)
		018 ⇔ 023	Gobo 3 (Cirkels)
		024 ⇔ 029	Gobo 4 (Breken)
		030 ⇔ 035	Gobo 5 (Dots)
		036 ⇔ 041	Gobo 6 (Circuits)
		042 ⇔ 047	Gobo 7 (Driehoeken)
		048 ⇔ 053	Gobo 8 (Bos)
		054 ⇔ 063	Gobo 9 (Rainbows)
		064 ⇔ 069	Gobo 9 schudden
		070 ⇔ 075	Gobo 8 schudden
		076 ⇔ 081	Gobo 7 schudden
		082 ⇔ 087	Gobo 6 schudden
		088 ⇔ 093	Gobo 5 schudden
		094 ⇔ 099	Gobo 4 schudden
		100 ⇔ 105	Gobo 3 schudden
106 ⇔ 111	Gobo 2 schudden		
112 ⇔ 117	Gobo 1 schudden		
118 ⇔ 127	Open		
128 ⇔ 191	Gobowijziging met de klok mee, snel tot langzaam		
192 ⇔ 255	Gobowijziging tegen de klok in, langzaam tot snel		
19	Roterend Gobowiel 3	000 ⇔ 007	Open
		008 ⇔ 015	Gobo 1 (Spiraal)
		016 ⇔ 023	Gobo 2 (Abstracts)
		024 ⇔ 031	Gobo 3 (Stenen muur)
		032 ⇔ 039	Gobo 4 (Schaak)
		040 ⇔ 047	Gobo 5 (Granny Sue)
		048 ⇔ 055	Gobo 6 (Kleur weven)
		056 ⇔ 063	Gobo 7 (Indigo vierkanten)
		064 ⇔ 071	Gobo 7 schudden
		072 ⇔ 079	Gobo 6 schudden
		080 ⇔ 087	Gobo 5 schudden
		088 ⇔ 095	Gobo 4 schudden
		096 ⇔ 103	Gobo 3 schudden
		104 ⇔ 111	Gobo 2 schudden
		112 ⇔ 119	Gobo 1 schudden
		120 ⇔ 127	Open
		128 ⇔ 191	Gobowijziging met de klok mee, snel tot langzaam
192 ⇔ 255	Gobowijziging tegen de klok in, langzaam tot snel		
20	Gobo roterend 3	000 ⇔ 063	Roterende gobo index
		064 ⇔ 145	Roteren met de klok mee, langzaam tot snel
		146 ⇔ 149	Stop
		150 ⇔ 231	Tegen de klok in roteren, langzaam tot snel
		232 ⇔ 255	Stuitereffect
21	Gobo-wiel 3 oplopende index	000 ⇔ 255	0–100%
22	Animatiewiel	000 ⇔ 255	0–100%
23	Roterend animatiewiel	000 ⇔ 124	Roteren met de klok mee, langzaam tot snel
		125 ⇔ 130	Stop
		131 ⇔ 255	Tegen de klok in roteren, langzaam tot snel
24	Focus	000 ⇔ 255	0–100%
25	Fijne Focus	000 ⇔ 255	0–100%
26	Auto Focus	000 ⇔ 010	Geen functie
		011 ⇔ 030	0–5 m
		031 ⇔ 050	6 m
		051 ⇔ 070	7 m
		071 ⇔ 090	8 m
		091 ⇔ 110	9 m
		111 ⇔ 130	10 m
		131 ⇔ 150	12,5 m
		151 ⇔ 170	15 m
		171 ⇔ 190	17,5 m
		191 ⇔ 210	20–60 m
211 ⇔ 255	Automatische detectie afstand		

Kanaal	Functie	Waarde	Percentage/instelling
27	Zoom	000 ⇄ 255	0–100%
28	Fijne Zoom	000 ⇄ 255	0–100%
29	Prisma	000 ⇄ 004 005 ⇄ 255	Geen functie PrismaEffect
30	Prisma roteren	000 ⇄ 127 128 ⇄ 189 190 ⇄ 193 194 ⇄ 255	Roterende positie Roteren met de klok mee, langzaam tot snel Stop Roteren tegen de klok in, snel tot langzaam
31	Prisma 2	000 ⇄ 004 005 ⇄ 255	Geen functie PrismaEffect
32	Prisma roteren 2	000 ⇄ 127 128 ⇄ 189 190 ⇄ 193 194 ⇄ 255	Roterende positie Roteren met de klok mee, langzaam tot snel Stop Roteren tegen de klok in, snel tot langzaam
33	Iris	000 ⇄ 063 064 ⇄ 127 128 ⇄ 191 192 ⇄ 255	0–100% Auto verandering, langzaam tot snel Langzaam inzoomen, snel uitzoomen (langzaam tot snel) Langzaam uitzoomen, snel inzoomen (langzaam tot snel)
34	Frost 1	000 ⇄ 255	0–100%
35	Frost 2	000 ⇄ 255	0–100%
36	CRI-filter	000 ⇄ 004 005 ⇄ 255	Geen functie CRI-filter
37	CMY Macro	000 ⇄ 009 010 ⇄ 255	Geen functie CMY macro
38	CMY macrosnelheid	000 ⇄ 255	100%–0
39	Regeling	000 ⇄ 007 008 ⇄ 015 016 ⇄ 023 024 ⇄ 031 032 ⇄ 039 040 ⇄ 047 048 ⇄ 055 056 ⇄ 095 096 ⇄ 103 104 ⇄ 111 112 ⇄ 119 120 ⇄ 127 128 ⇄ 135 136 ⇄ 143 144 ⇄ 151 152 ⇄ 159 160 ⇄ 167 168 ⇄ 175 176 ⇄ 183 184 ⇄ 191 192 ⇄ 199 200 ⇄ 207 208 ⇄ 215 216 ⇄ 220 221 ⇄ 225 226 ⇄ 230 231 ⇄ 235 236 ⇄ 240 241 ⇄ 245 246 ⇄ 250 251 ⇄ 255	Geen functie XY-verduistering C-verduistering G-verduistering XYC-verduistering XYG-verduistering XYCG-verduistering Geen functie X reset Y reset Kleurenreset Reset gobo Geen functie Prismareset Geen functie Reset alle Iris reset Resetten frost Zoomherstel CMY reset Ventilator lage snelheid Ventilator volle snelheid Ventilator auto Geen functie Iris snelle modus Iris soepele modus XY-wissel aan XY-wissel uit Geen functie XY-soepele modus XY-snelle modus

Dmx Mode 31 CH

Kanaal	Functie	Waarde	Percentage/instelling
1	Zwenken	000 ⇄ 255	0–100%
2	Fijn zwenken	000 ⇄ 255	0–100%
3	Kantelen	000 ⇄ 255	0–100%
4	Fijn kantelen	000 ⇄ 255	0–100%
5	Zwenk-/kantelsnelheid	000 ⇄ 255	0–100%
6	Dimmer	000 ⇄ 255	0–100%
7	Sluiter	000 ⇄ 003 004 ⇄ 007 008 ⇄ 076 077 ⇄ 145 146 ⇄ 215 216 ⇄ 255	Gesloten Open Langzaam tot snel Pulseffect van langzaam tot snel Willekeurig effect van langzaam tot snel Open
8	Virtuele sluiters	000 ⇄ 001 002 ⇄ 128 129 ⇄ 255	Geen functie Stroboscoop trillen , snel naar langzaam Vervagen in / verdwijnen, snel naar langzaam
9	Cyaan	000 ⇄ 255	0–100%
10	Magenta	000 ⇄ 255	0–100%
11	Geel	000 ⇄ 255	0–100%
12	CTO	000 ⇄ 255	0–100%
13	Kleurenwiel	000 ⇄ 007 008 ⇄ 015 016 ⇄ 023 024 ⇄ 031 032 ⇄ 039 040 ⇄ 047 048 ⇄ 059 060 ⇄ 187 188 ⇄ 219 220 ⇄ 223 224 ⇄ 255	Open Rood Oranje Groen Geel Blauw CTB 8000K Gespleten kleuren Kleurwijziging met de klok mee, snel tot langzaam Stop Kleurwijziging tegen de klok in, langzaam tot snel
14	Roterend Gobowiel 1	000 ⇄ 007 008 ⇄ 015 016 ⇄ 023 024 ⇄ 031 032 ⇄ 039 040 ⇄ 047 048 ⇄ 055 056 ⇄ 063 064 ⇄ 071 072 ⇄ 079 080 ⇄ 087 088 ⇄ 095 096 ⇄ 103 104 ⇄ 111 112 ⇄ 119 120 ⇄ 127 128 ⇄ 191 192 ⇄ 255	Open Gobo 1 (Zeilboten) Gobo 2 (Radiale punt) Gobo 3 (Grasmaaierblad) Gobo 4 (Bouten) Gobo 5 (Douche glas) Gobo 6 (Ballistische wolken) Gobo 7 (Vier ogen) Gobo 7 schudden Gobo 6 schudden Gobo 5 schudden Gobo 4 schudden Gobo 3 schudden Gobo 2 schudden Gobo 1 schudden Open Gobowijziging met de klok mee, snel tot langzaam Gobowijziging tegen de klok in, langzaam tot snel
15	Gobo roterend 1	000 ⇄ 063 064 ⇄ 145 146 ⇄ 149 150 ⇄ 231 232 ⇄ 255	Roterende gobo index Roteren met de klok mee, langzaam tot snel Stop Tegen de klok in roteren, langzaam tot snel Stuitereffect

Kanaal	Functie	Waarde	Percentage/instelling
16	Statisch Gobo-wiel 2	000 ⇔ 005	Open
		006 ⇔ 011	Gobo 1 (Lichtstraal)
		012 ⇔ 017	Gobo 2 (Bars)
		018 ⇔ 023	Gobo 3 (Cirkels)
		024 ⇔ 029	Gobo 4 (Breken)
		030 ⇔ 035	Gobo 5 (Dots)
		036 ⇔ 041	Gobo 6 (Circuits)
		042 ⇔ 047	Gobo 7 (Driehoeken)
		048 ⇔ 053	Gobo 8 (Bos)
		054 ⇔ 063	Gobo 9 (Rainbows)
		064 ⇔ 069	Gobo 9 schudden
		070 ⇔ 075	Gobo 8 schudden
		076 ⇔ 081	Gobo 7 schudden
		082 ⇔ 087	Gobo 6 schudden
		088 ⇔ 093	Gobo 5 schudden
		094 ⇔ 099	Gobo 4 schudden
		100 ⇔ 105	Gobo 3 schudden
106 ⇔ 111	Gobo 2 schudden		
112 ⇔ 117	Gobo 1 schudden		
118 ⇔ 127	Open		
128 ⇔ 191	Gobowijziging met de klok mee, snel tot langzaam		
192 ⇔ 255	Gobowijziging tegen de klok in, langzaam tot snel		
17	Roterend Gobowiel 3	000 ⇔ 007	Open
		008 ⇔ 015	Gobo 1 (Spiraal)
		016 ⇔ 023	Gobo 2 (Abstracts)
		024 ⇔ 031	Gobo 3 (Stenen muur)
		032 ⇔ 039	Gobo 4 (Schaak)
		040 ⇔ 047	Gobo 5 (Granny Sue)
		048 ⇔ 055	Gobo 6 (Kleur weven)
		056 ⇔ 063	Gobo 7 (Indigo vierkanten)
		064 ⇔ 071	Gobo 7 schudden
		072 ⇔ 079	Gobo 6 schudden
		080 ⇔ 087	Gobo 5 schudden
		088 ⇔ 095	Gobo 4 schudden
		096 ⇔ 103	Gobo 3 schudden
		104 ⇔ 111	Gobo 2 schudden
		112 ⇔ 119	Gobo 1 schudden
		120 ⇔ 127	Open
		128 ⇔ 191	Gobowijziging met de klok mee, snel tot langzaam
192 ⇔ 255	Gobowijziging tegen de klok in, langzaam tot snel		
18	Gobo roterend 3	000 ⇔ 063	Roterende gobo index
		064 ⇔ 145	Roteren met de klok mee, langzaam tot snel
		146 ⇔ 149	Stop
		150 ⇔ 231	Tegen de klok in roteren, langzaam tot snel
		232 ⇔ 255	Stuitereffect
19	Animatiewiel	000 ⇔ 255	0–100%
20	Roterend animatiewiel	000 ⇔ 124	Roteren met de klok mee, langzaam tot snel
		125 ⇔ 130	Stop
		131 ⇔ 255	Tegen de klok in roteren, langzaam tot snel
21	Focus	000 ⇔ 255	0–100%
22	Zoom	000 ⇔ 255	0–100%
23	Prisma	000 ⇔ 004	Geen functie
		005 ⇔ 255	PrismaEffect
24	Prisma roteren	000 ⇔ 127	Roterende positie
		128 ⇔ 189	Roteren met de klok mee, langzaam tot snel
		190 ⇔ 193	Stop
		194 ⇔ 255	Roteren tegen de klok in, snel tot langzaam
25	Prisma 2	000 ⇔ 004	Geen functie
		005 ⇔ 255	PrismaEffect
26	Prisma roteren 2	000 ⇔ 127	Roterende positie
		128 ⇔ 189	Roteren met de klok mee, langzaam tot snel
		190 ⇔ 193	Stop
		194 ⇔ 255	Roteren tegen de klok in, snel tot langzaam

Kanaal	Functie	Waarde	Percentage/instelling
27	Iris	000 ⇔ 063	Groot tot klein
		064 ⇔ 127	Auto verandering, langzaam tot snel
		128 ⇔ 191	Langzaam inzoomen, snel uitzoomen (langzaam tot snel)
		192 ⇔ 255	Langzaam uitzoomen, snel inzoomen (langzaam tot snel)
28	Frost 1	000 ⇔ 255	0–100%
29	Frost 2	000 ⇔ 255	0–100%
30	CRI-filter	000 ⇔ 004	Geen functie
		005 ⇔ 255	CRI-filter
31	Regeling	000 ⇔ 007	Geen functie
		008 ⇔ 015	XY-verduistering
		016 ⇔ 023	C-verduistering
		024 ⇔ 031	G-verduistering
		032 ⇔ 039	XYC-verduistering
		040 ⇔ 047	XYG-verduistering
		048 ⇔ 055	XYCG-verduistering
		056 ⇔ 095	Geen functie
		096 ⇔ 103	X reset
		104 ⇔ 111	Y reset
		112 ⇔ 119	Kleurenreset
		120 ⇔ 127	Reset gobo
		128 ⇔ 135	Geen functie
		136 ⇔ 143	Prismareset
		144 ⇔ 151	Geen functie
		152 ⇔ 159	Reset alle
		160 ⇔ 167	Iris reset
		168 ⇔ 175	Resetten frost
		176 ⇔ 183	Zoomherstel
		184 ⇔ 191	CMY reset
		192 ⇔ 199	Ventilator lage snelheid
		200 ⇔ 207	Ventilator volle snelheid
		208 ⇔ 215	Ventilator auto
		216 ⇔ 220	Geen functie
		221 ⇔ 225	Iris snelle modus
		226 ⇔ 230	Iris soepele modus
		231 ⇔ 235	XY-wissel aan
		236 ⇔ 240	XY-wissel uit
241 ⇔ 245	Geen functie		
246 ⇔ 250	XY-soepele modus		
251 ⇔ 255	XY-snelle modus		

Contact Us

General Information	Technical Support
Chauvet World Headquarters	
Address: 5200 NW 108th Ave. Sunrise, FL 33351 Voice: (954) 577-4455 Fax: (954) 929-5560 Toll Free: (800) 762-1084	Voice: (844) 393-7575 Fax: (954) 756-8015 Email: chauvetcs@chauvetlighting.com Website: www.chauvetprofessional.com
Chauvet Europe Ltd	
Address: Unit 1C Brookhill Road Industrial Estate Pinxton, Nottingham, UK NG16 6NT Voice: +44 (0) 1773 511115 Fax: +44 (0) 1773 511110	Email: UKtech@chauvetlighting.eu Website: www.chauvetprofessional.eu
Chauvet Europe BVBA	
Address: Stokstraat 18 9770 Kruishoutem Belgium Voice: +32 9 388 93 97	Email: BNLtech@chauvetlighting.eu Website: www.chauvetprofessional.eu
Chauvet France	
Address: 3, Rue Ampère 91380 Chilly-Mazarin France Voice: +33 1 78 85 33 59	Email: FRtech@chauvetlighting.fr Website: www.chauvetprofessional.eu
Chauvet Germany	
Address: Bruno-Bürgel-Str. 11 28759 Bremen Germany Voice: +49 421 62 60 20	Email: DEtech@chauvetlighting.de Website: www.chauvetprofessional.eu
Chauvet Mexico	
Address: Av. de las Partidas 34 - 3B (Entrance by Calle 2) Zona Industrial Lerma Lerma, Edo. de México, CP 52000	Email: servicio@chauvet.com.mx Website: www.chauvetprofessional.mx

Visit the applicable website above to verify our contact information and instructions to request support. Outside the US, United Kingdom, Ireland, Benelux, France, Germany, or Mexico, contact the dealer of record.

