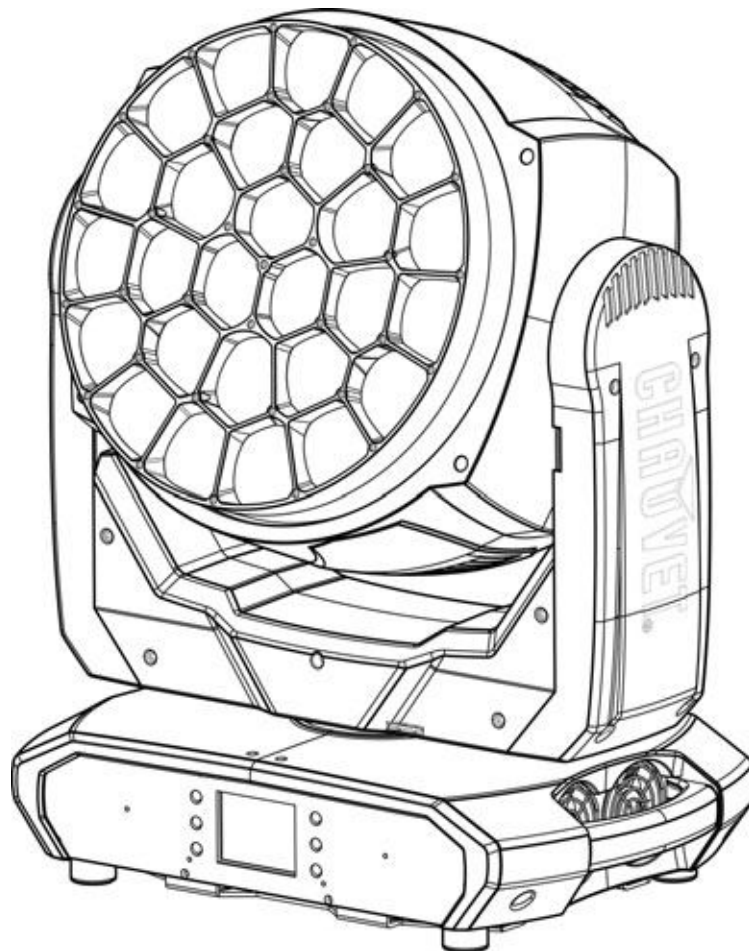


# MAVERICK

## MK3 WASH

### Quick Reference Guide

English	EN
Español	ES
Français	FR
Nederlands	NL



## About This Guide

The Maverick MK3 Wash Quick Reference Guide (QRG) has basic product information such as connection, mounting, menu options, and DMX values. Download the User Manual from [www.chauvetprofessional.com](http://www.chauvetprofessional.com) for more details.

### Disclaimer

The information and specifications contained in this QRG are subject to change without notice.

### Safety Notes

These Safety Notes include important information about installation, use, and maintenance.

- DO NOT open this product. It contains no user-serviceable parts.
- DO NOT look at the light source when the product is on.
- To eliminate unnecessary wear and improve its lifespan, during periods of non-use completely disconnect the product from power via breaker or by unplugging it.
- CAUTION: When transferring product from extreme temperature environments, (e.g. cold truck to warm humid ballroom) condensation may form on the internal electronics of the product. To avoid causing a failure, allow product to fully acclimate to the surrounding environment before connecting it to power.
- CAUTION: This product's housing may be hot when lights are operating.
- Mount this product in a location with adequate ventilation, at least 20 in (50 cm) from adjacent surfaces.
- DO NOT leave any flammable material within 50 cm of this product while operating or connected to power.
- USE a safety cable when mounting this product overhead.
- DO NOT operate this product outdoors or in any location where dust, excessive heat, water, or humidity may affect it. (IP20)
- DO NOT operate this product if the housing, lenses, or cables appear damaged.
- DO NOT connect this product to a dimmer or rheostat.
- ONLY connect this product to a grounded and protected circuit.
- ONLY use the hanging/mounting bracket or the handles to carry this product.
- In the event of a serious operating problem, stop using immediately.
- The maximum ambient temperature is 113 °F (45 °C). Do not operate this product at higher temperatures.

### Contact

Outside the U.S., United Kingdom, Ireland, Mexico, or Benelux contact your distributor to request support or return a product. Visit [www.chauvetprofessional.com](http://www.chauvetprofessional.com) for contact information.

### What is Included

- Maverick MK3 Wash
- Seetronic Powerkon power cord
- 2 Omega Brackets with Mounting Hardware
- Warranty Card
- Quick Reference Guide

### AC Power

This product has an auto-ranging power supply that can work with an input voltage range of 100–240 VAC, 50/60 Hz.

### AC Plug

Connection	Wire (U.S.)	Wire (Europe)	Screw Color
AC Live	Black	Brown	Yellow/Brass
AC Neutral	White	Blue	Silver
AC Ground	Green/Yellow	Green/Yellow	Green



**To eliminate wear and improve its lifespan, during periods of non-use completely disconnect the product from power via breaker or by unplugging it.**

### Replacing the Fuse

1. Disconnect this product from power.
2. Using a flat-head screwdriver, unscrew the fuse holder cap from the housing.
3. Remove blown fuse and replace with a good fuse of the same type and rating.
4. Screw the fuse holder cap back in place and reconnect power.

## Signal Connections

You can link the Maverick MK3 Wash to a controller or controller software using a DMX connection, an Ethernet connection, or both. If using other Art-Net™, sACN, or Kling-Net -compatible products with the Maverick MK3 Wash, you can control each individually on a single network. See the User Manual for information about how to connect and configure the product for these signals.

### Control Personalities

The Maverick MK3 Wash uses DMX, Art-Net™, sACN, WDMX, and Kling-Net for its control personalities:

Single Control	Dual Control Movement	Dual Control Pixels
<b>Basic</b> (21-channel)	<b>Basic</b> (9-channel)	<b>Basic</b> (81-channel)
<b>Standard</b> (129-channel)	<b>Standard</b> (21-channel)	<b>Standard</b> (108-channel)
<b>Advanced</b> (243-channel)	<b>Advanced</b> (27-channel)	<b>Advanced</b> (216-channel)
<b>Tour</b> (297-channel)	Uses DMX, Art-Net™, or sACN	Uses DMX, Art-Net™, sACN, or Kling-Net
Uses DMX, Art-Net™, sACN, or WDMX		



In Dual Control mode, the Movement protocol and the Pixels protocol cannot be the same.

### DMX Connection

The Maverick MK3 Wash will work with a DMX controller using a 3- or 5-pin DMX data connection. A DMX Primer is available from [www.chauvetprofessional.com](http://www.chauvetprofessional.com).

### Art-Net™ Connection

Art-Net™ is an Ethernet protocol that uses TCP/IP which transfers a large amount of DMX512 data using an Neutrik® etherCON® RJ45 connection over a large network. An Art-Net™ protocol document is available from [www.chauvetprofessional.com](http://www.chauvetprofessional.com). Chauvet Professional recommends using unicast Art-Net™ for best results.

Art-Net™ designed by and copyright Artistic Licence Holdings Ltd.

### sACN Connection

Also known as ANSI E1.31, Streaming-ACN is an Ethernet protocol that uses the layering and formatting of Architecture for Control Networks to transport DMX512 data over IP or any other ACN compatible network. ACN is maintained by the Professional Lighting and Sound Association (PLASA).

### Kling-Net Connection

Kling-Net is a network protocol that allows auto configuration of display devices using a Neutrik® etherCON® RJ45 Ethernet connection. Refer to the ArKaos software manual for detailed instructions on programming this product.



For smooth-running operation, ArKaos Kling-Net requires a gigabit (1000 Mbps) Ethernet card and network router.



ArKaos Kling-Net will only run Standard Pixels or Basic Pixels mode.

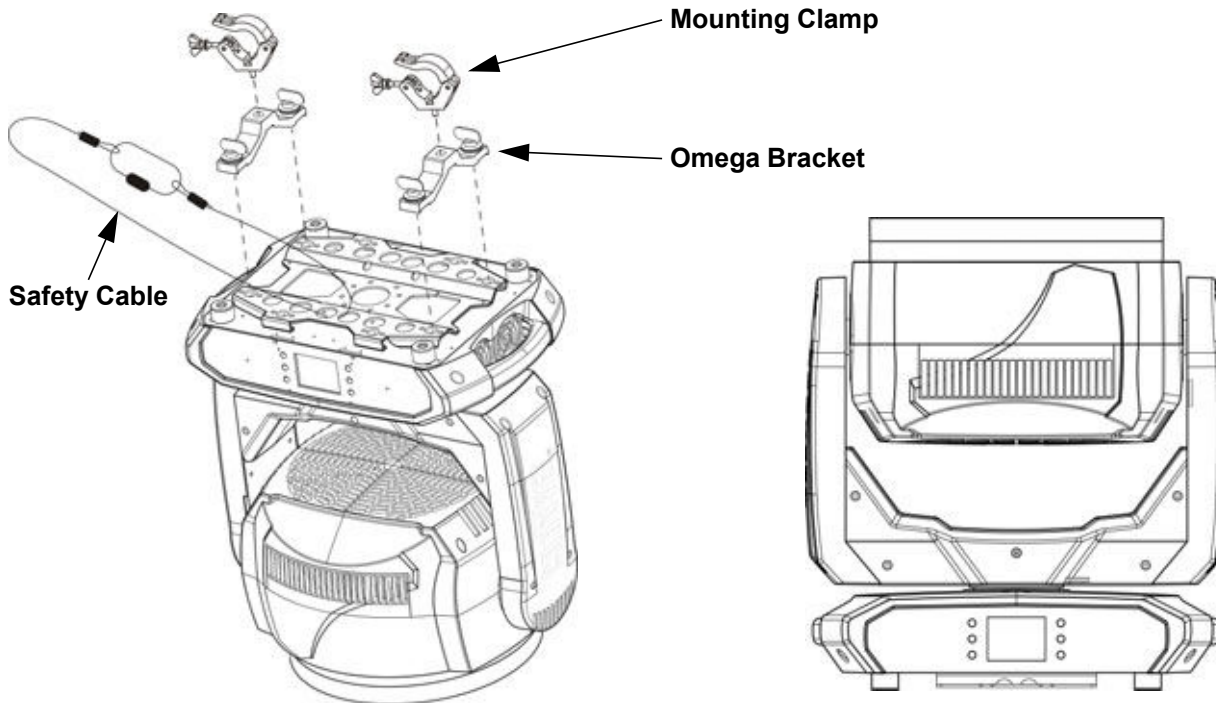
### RDM (Remote Device Management)

Remote Device Management, or RDM, is a standard for allowing DMX-enabled devices to communicate bi-directionally along existing DMX cabling. The Maverick MK3 Wash supports RDM protocol that allows feedback to monitor temperature and changes to menu options. Download the User Manual from [www.chauvetprofessional.com](http://www.chauvetprofessional.com) for more details.

**Mounting**

Before mounting this product, read the [Safety Notes](#). Use at least two mounting points per product. Make sure the mounting clamps are capable of supporting the weight of the product. For our CHAUVET Professional line of mounting clamps, go to <http://trusst.com/products>.

**Mounting Diagram**



**Overhead Mounting**

**Surface Mounting**

**Touchscreen Control Panel**

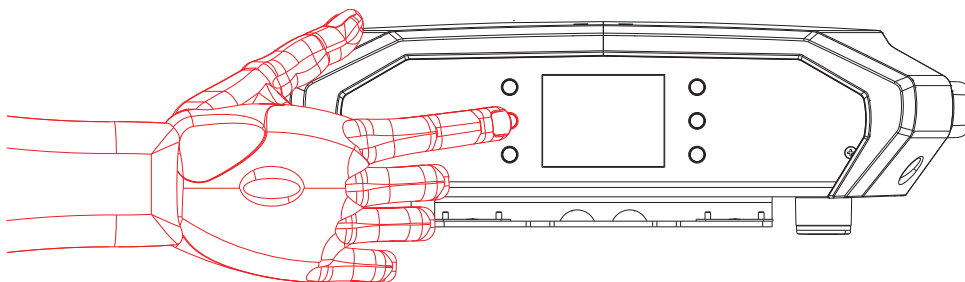
The Maverick MK3 Wash has a touchscreen display as well as 6 control buttons. The touchscreen can be locked and calibrated through the **Setup** options in the menu.

**Control Panel Description**

Button	Function
< ↑ >	Navigates upwards through the menu list or increases the numeric value when in a function
< ≡ >	Exits from the current menu or function
< ↓ >	Navigates downwards through the menu list or decreases the numeric value when in a function
< ← >	Navigates leftwards through the menu list
< ↩ >	Enables the currently displayed menu or sets the currently selected value into the selected function
< → >	Navigates rightwards through the menu list

**Battery Powered Display**

Press and hold until menu screen appears (approx 15 sec.).



Menu Map

Programming Levels				Description		
<b>Control Settings</b>				<b>Control Settings Main Level</b>		
<b>Single Control</b>	<b>DMX</b>	<b>Personality</b>	<b>Basic</b>	Sets the DMX personality (see <a href="#">Control Personalities</a> )		
			<b>Standard</b>			
			<b>Advanced</b>			
			<b>Tour</b>			
		<b>Start Address</b>	<b>0-512</b>	Sets the DMX starting address		
	<b>ArtNet</b>	<b>Personality</b>	<b>Basic</b>	Sets the Art-Net™ personality (see <a href="#">Control Personalities</a> )		
			<b>Standard</b>			
			<b>Advanced</b>			
			<b>Tour</b>			
			<b>Start Address</b>		<b>0-512</b>	Sets the Art-Net™ starting address
		<b>Universe</b>	<b>0-255</b>	Sets the Art-Net™ universe		
	<b>sACN</b>	<b>Personality</b>	<b>Basic</b>	Sets the sACN personality (see <a href="#">Control Personalities</a> )		
			<b>Standard</b>			
			<b>Advanced</b>			
			<b>Tour</b>			
			<b>Start Address</b>		<b>0-512</b>	Sets the sACN starting address
		<b>Universe</b>	<b>0-255</b>	Sets the sACN universe		
	<b>WDMX</b>	<b>Personality</b>	<b>Basic</b>	Sets the WDMX personality (see <a href="#">Control Personalities</a> )		
			<b>Standard</b>			
			<b>Advanced</b>			
<b>Tour</b>						
	<b>Start Address</b>	<b>0-512</b>	Sets the WDMX starting address			
<b>Control Settings</b>	<b>Movement</b>	<b>DMX</b>	<b>Basic</b>	Sets the DMX personality (see <a href="#">Control Personalities</a> )		
			<b>Standard</b>			
			<b>Advanced</b>			
			<b>Start Address</b>		<b>0-512</b>	Sets the DMX starting address
		<b>ArtNet</b>	<b>Personality</b>	<b>Basic</b>	Sets the Art-Net™ personality (see <a href="#">Control Personalities</a> )	
				<b>Standard</b>		
				<b>Advanced</b>		
				<b>Start Address</b>		<b>0-512</b>
			<b>Universe</b>	<b>0-255</b>	Sets the Art-Net™ universe	
		<b>sACN</b>	<b>Personality</b>	<b>Basic</b>	Sets the sACN personality (see <a href="#">Control Personalities</a> )	
				<b>Standard</b>		
				<b>Advanced</b>		
	<b>Start Address</b>			<b>0-512</b>		Sets the sACN starting address
		<b>Universe</b>	<b>0-255</b>	Sets the sACN universe		
	<b>Dual Control</b>	<b>Pixels</b>	<b>DMX</b>	<b>Basic</b>	Sets the DMX personality (see <a href="#">Control Personalities</a> )	
				<b>Standard</b>		
				<b>Advanced</b>		
				<b>Start Address</b>		<b>0-512</b>
			<b>ArtNet</b>	<b>Personality</b>	<b>Basic</b>	Sets the Art-Net™ personality (see <a href="#">Control Personalities</a> )
					<b>Standard</b>	
<b>Advanced</b>						
<b>Start Address</b>		<b>0-512</b>			Sets the Art-Net™ starting address	
		<b>Universe</b>	<b>0-255</b>	Sets the Art-Net™ universe		
<b>sACN</b>		<b>Personality</b>	<b>Basic</b>	Sets the sACN personality (see <a href="#">Control Personalities</a> )		
			<b>Standard</b>			
			<b>Advanced</b>			
	<b>Start Address</b>		<b>0-512</b>		Sets the sACN starting address	
	<b>Universe</b>	<b>0-255</b>	Sets the sACN universe			
<b>KlingNet</b>	<b>Personality</b>	<b>Basic</b>	Sets the Kling-Net personality (see <a href="#">Control Personalities</a> )			
		<b>Standard</b>				

# QUICK REFERENCE GUIDE

EN



Programming Levels			Description	
<b>Test Mode</b>			<b>Test Mode Main Level</b>	
<b>Test Mode</b>	<b>Auto Test</b>		Auto test all functions	
	<b>Manual Test</b>	Pan	<b>000-255</b>	Manually control and test all settings through the control panel
		Tilt		
		P/T Speed		
		Red		
		Green		
		Blue		
		White		
		CTC		
		Color		
		Pattern		
		LED Macro		
		LED Ma. Speed		
		LED Ma. Fade		
		Background		
		Background Dim.		
		Dimmer		
Shutter				
Function				
Zoom				
<b>Setup</b>			<b>Setup Main Level</b>	
<b>Network Settings</b>	<b>IP Mode</b>	<b>Manual</b>	Manually set IP address	
		<b>DHCP</b>	Network sets IP address	
		<b>Static</b>	Product sets IP address	
	<b>IP</b>	_ _ _ . _ _ _ . _ _ _ . _ _ _	Sets IP address in Manual mode	
	<b>SubMask</b>	_ _ _ . _ _ _ . _ _ _ . _ _ _	Sets Subnet Mask in Manual mode	
<b>Pan Reverse</b>	<b>NO</b>	Normal pan		
	<b>YES</b>	Reversed pan		
<b>Tilt Reverse</b>	<b>NO</b>	Normal tilt		
	<b>YES</b>	Reversed tilt		
<b>Zoom Reverse</b>	<b>NO</b>	Normal Zoom		
	<b>YES</b>	Reversed Zoom		
<b>Screen Reverse</b>	<b>NO</b>	Normal display		
	<b>YES</b>	Inverted display		
	<b>AUTO</b>	Automatic display orientation		
<b>Pan Angle</b>	<b>540</b>	540° pan range		
	<b>360</b>	360° pan range		
	<b>180</b>	180° pan range		
<b>Tilt Angle</b>	<b>540</b>	540° tilt range		
	<b>270</b>	270° tilt range		
	<b>180</b>	180° tilt range		
<b>BL. O. P/T Move</b>	<b>NO</b>	Do not black out while pan/tilt		
	<b>YES</b>	Blackout while pan/tilt		
<b>Calibration</b>	<b>NO</b>	Keep current settings		
	<b>YES</b>	Calibrate touchscreen		
<b>Touchscreen Lock</b>	<b>NO</b>	Display responds to touch		
	<b>YES</b>	Display does not respond to touch		
<b>Lock Screen</b>	<b>NO</b>	Lock the buttons and touch screen		
	<b>YES</b>	Passcode: 0920		
<b>Swap XY</b>	<b>NO</b>	Do not swap pan and tilt		
	<b>YES</b>	Pan controls tilt, tilt controls pan		



Programming Levels		Description	
Setup (cont.)		Setup Main Level (cont.)	
XY Mode	Slow	Slow pan and tilt	
	Fast	Fast pan and tilt	
WDMX Reset	NO	Do not reset WDMX	
	YES	Reset WDMX	
Backlight Timer	30S	Display turns off after 30 seconds	
	1M	Display turns off after 1 minute	
	5M	Display turns off after 5 minutes	
	ON	Display stays on	
Loss of Data	Hold	Holds last signal received	
	Close	Blacks out fixture	
Fans	Auto	Fan speed according to product temperature	
	Full	Fan speed set on high	
	ECO	Quiet mode	
C Mixing Mode	RGBW	RGBW mode	
	CMY	CMY mode (R=C, G=M, B=Y)	
Dimmer Curve	Linear	Set the dimmer curve	
	Square		
	I Squa		
	SCurve		
Dimmer Speed	Smooth	Set the dimmer speed	
	Fast		
PWM Option	600Hz	Sets the Pulse Width Modulation frequency	
	1200Hz		
	2000Hz		
	4000Hz		
	6000Hz		
Color Balance	Red	100–255	Sets red LED maximum value
	Green		Sets green LED maximum value
	Blue		Sets blue LED maximum value
	White		Sets white LED maximum value
Preset Select	PRESET A	Recorded preset menu options	
	PRESET B		
	PRESET C		
Preset Sync	NO	Allows recorded preset menu options to be transferred to other Maverick MK3 Wash in the DMX daisy chain.	
	YES		
Reset Function	Pan	NO	Reset individual functions or all functions from start-up
		YES	
	Tilt	NO	
		YES	
All	NO		
	YES		
Factory Settings	NO	Reset to factory default settings	
	YES		

# QUICK REFERENCE GUIDE



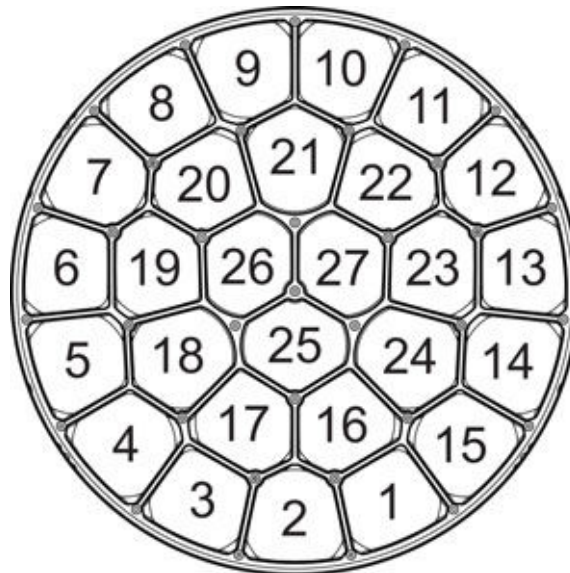
EN

Programming Levels			Description	
<b>Sys Info</b>			<b>Sys Info Main Level</b>	
<b>Sys Info</b>	<b>Ver</b>	<b>V_</b>	Shows firmware version	
	<b>Running Mode</b>	<b>---</b>	Shows current running mode	
	<b>Address</b>	<b>---</b>	Shows current starting address	
	<b>Temperature</b>	<b>---</b>	Shows current product temperature in °C	
	<b>Fixture Hours</b>	<b>-----</b>	Shows number of hours product has been powered on	
	<b>IP</b>	<b>---:---:---:---</b>	Shows current IP address	
	<b>SubMask</b>	<b>---:---:---:---</b>	Shows current Subnet Mask	
	<b>MAC</b>	<b>---:---:---:---</b>	Shows current MAC address	
	<b>Fan Information</b>	<b>Head Fan1 Speed</b>	<b>----</b>	Shows speed of head fans in rpm
		<b>Head Fan2 Speed</b>	<b>----</b>	
<b>Error Information</b>	<b>No Error!*</b>		Shows any errors, or No Error!	



Programming Levels		Description
Sys Info (cont.)		Sys Info Main Level (cont.)
Sys Info (cont.)	<b>Channel Information</b>	---
	Frequency	
	Pan	
	Pan Fine	
	Tilt	
	Tilt Fine	
	CTC	
	Color	
	Pattern	
	LED Macro	
	LED Ma. Speed	
	LED Ma. Fine	
	Background	
	Background Dim.	
	Bg. Dim. Fine	
	Dimmer	
	Dimmer Fine	
	Shutter	
	Zoom	
	Function	
	Red (all, 1-27)	
	Red Fine (all, 1-27)	
	Green (all, 1-27)	
	Green fine (all, 1-27)	
	Blue (all, 1-27)	
	Blue Fine (all, 1-27)	
	White (all, 1-27)	
White Fine (all, 1-27)		

**Zones for Pixel Control**



## QUICK REFERENCE GUIDE



EN

### Single Control Values

Single Control: Tour Mode (297-channel)

Channel	Function	Value	Percent/Setting
1	Pan	000 ⇄ 255	0–100%
2	Pan Fine	000 ⇄ 255	0–100%
3	Tilt	000 ⇄ 255	0–100%
4	Tilt Fine	000 ⇄ 255	0–100%
5	Pan/Tilt Speed	000 ⇄ 255	Fast to slow
6	CTC	000	No function
		001 ⇄ 255	Color temperature, 2800–10000 K
7	Color Macro	000	No function
		001 ⇄ 255	Color macros
8	Gobo	000	No function
		001 ⇄ 255	Gobos (indexed)
9	LED Macro / Auto Program	000 ⇄ 015	No function
		016 ⇄ 135	LED macros
		136 ⇄ 255	Auto programs
10	LED Macro / Auto Program Speed	000 ⇄ 127	Auto speed, fast to slow
		128	Hold
		129 ⇄ 255	Auto speed, slow to fast
11	LED Built-in Delay	000 ⇄ 255	Fast to slow
12	Background Color	000	No function
		001 ⇄ 002	2700K R = 156 G = 118 B = 0 W = 63
		003 ⇄ 004	3200K R = 156 G = 141 B = 5 W = 89
		005 ⇄ 006	4200K R = 156 G = 141 B = 14 W = 255
		007 ⇄ 008	5600K R = 156 G = 207 B = 54 W = 255
		009 ⇄ 010	8000K R = 130 G = 255 B = 96 W = 255
		011	Blue R = 0 G = 0 B = 255 W = 0
		012 ⇄ 048	+ Green R = 0 G = 0–255 B = 255 W = 0
		049	Cyan R = 0 G = 255 B = 255 W = 0
		050 ⇄ 086	- Blue R = 0 G = 255 B = 255–0 W = 0
		087	Green R = 0 G = 255 B = 0 W = 0
		088 ⇄ 124	+ Red R = 0–255 G = 255 B = 0 W = 0
		125	Yellow R = 255 G = 255 B = 0 W = 0
		126 ⇄ 162	- Green R = 255 G = 255–0 B = 0 W = 0
		163	Red R = 255 G = 0 B = 0 W = 0
		164 ⇄ 200	+ Blue R = 255 G = 0 B = 0–255 W = 0
		201	Magenta R = 255 G = 0 B = 255 W = 0
		202 ⇄ 238	- Red R = 255–0 G = 0 B = 255 W = 0
239	Blue R = 0 G = 0 B = 255 W = 0		
240 ⇄ 247	Color fade, fast to slow		
248 ⇄ 255	Color snap, fast to slow		
13	Background Dimmer	000 ⇄ 255	0–100%
14	Background Fine Dimmer	000 ⇄ 255	0–100%
15	Main Dimmer	000 ⇄ 255	0–100%
16	Main Fine Dimmer	000 ⇄ 255	0–100%

Channel	Function	Value	Percent/Setting
17	Shutter	000 ⇔ 019	Off
		020 ⇔ 024	On
		025 ⇔ 064	Strobe, fast to slow
		065 ⇔ 069	On
		070 ⇔ 084	Strobe 100–0%, fast to slow
		085 ⇔ 089	On
		090 ⇔ 104	Strobe 0–100%, fast to slow
		105 ⇔ 109	On
		110 ⇔ 124	Random strobe, fast to slow
		125 ⇔ 129	On
		130 ⇔ 144	Random strobe 100–0%, fast to slow
		145 ⇔ 149	On
		150 ⇔ 164	Random strobe 0–100%, fast to slow
		165 ⇔ 169	On
		170 ⇔ 184	Pulse strobe, fast to slow
		185 ⇔ 189	On
		190 ⇔ 204	Random pulse strobe, fast to slow
205 ⇔ 209	On		
210 ⇔ 224	Strobe 0–100–0%, fast to slow		
225 ⇔ 229	On		
230 ⇔ 244	Random pulse strobe, fast to slow		
245 ⇔ 255	On		
18	Zoom	000 ⇔ 255	Wide to narrow
19	Control	000 ⇔ 009	No function
		010 ⇔ 014	Blackout on Pan/Tilt
		015 ⇔ 019	Reserved for future use
		020 ⇔ 024	RGBW color mixing mode
		025 ⇔ 029	CMY color mixing mode (R=C, G=M, B=Y)
		030 ⇔ 049	Reserved for future use
		050 ⇔ 054	Pan reset
		055 ⇔ 059	Tilt reset
		060 ⇔ 064	Zoom reset
		065 ⇔ 069	Reserved for future use
		070 ⇔ 074	Reset all
		075 ⇔ 109	Reserved for future use
		110 ⇔ 114	Fast Pan/Tilt speed
		115 ⇔ 119	Slow Pan/tilt speed
		120 ⇔ 124	Slow fan mode
		125 ⇔ 129	Full fan mode
		130 ⇔ 134	Auto fan mode
135 ⇔ 139	Fast dimmer mode		
140 ⇔ 144	Slow dimmer mode		
145 ⇔ 255	Reserved for future use		
20	Main Red	000 ⇔ 255	0–100%
21	Main Fine Red	000 ⇔ 255	0–100%
22	Main Green	000 ⇔ 255	0–100%
23	Main Fine Green	000 ⇔ 255	0–100%
24	Main Blue	000 ⇔ 255	0–100%
25	Main Fine Blue	000 ⇔ 255	0–100%
26	Main White	000 ⇔ 255	0–100%
27	Main Fine White	000 ⇔ 255	0–100%

## QUICK REFERENCE GUIDE



EN

Channel	Function	Value	Percent/Setting
28	Dimmer 1	000 ⇄ 255	0–100%
29	Fine Dimmer 1	000 ⇄ 255	0–100%
30	Red 1	000 ⇄ 255	0–100%
31	Fine Red 1	000 ⇄ 255	0–100%
32	Green 1	000 ⇄ 255	0–100%
33	Fine Green 1	000 ⇄ 255	0–100%
34	Blue 1	000 ⇄ 255	0–100%
35	Fine Blue 1	000 ⇄ 255	0–100%
36	White 1	000 ⇄ 255	0–100%
37	Fine White 1	000 ⇄ 255	0–100%
38	Dimmer 2	000 ⇄ 255	0–100%
39	Fine Dimmer 2	000 ⇄ 255	0–100%
40	Red 2	000 ⇄ 255	0–100%
41	Fine Red 2	000 ⇄ 255	0–100%
42	Green 2	000 ⇄ 255	0–100%
43	Fine Green 2	000 ⇄ 255	0–100%
44	Blue 2	000 ⇄ 255	0–100%
45	Fine Blue 2	000 ⇄ 255	0–100%
46	White 2	000 ⇄ 255	0–100%
47	Fine White 2	000 ⇄ 255	0–100%
48	Dimmer 3	000 ⇄ 255	0–100%
49	Fine Dimmer 3	000 ⇄ 255	0–100%
50	Red 3	000 ⇄ 255	0–100%
51	Fine Red 3	000 ⇄ 255	0–100%
52	Green 3	000 ⇄ 255	0–100%
53	Fine Green 3	000 ⇄ 255	0–100%
54	Blue 3	000 ⇄ 255	0–100%
55	Fine Blue 3	000 ⇄ 255	0–100%
56	White 3	000 ⇄ 255	0–100%
57	Fine White 3	000 ⇄ 255	0–100%
58	Dimmer 4	000 ⇄ 255	0–100%
59	Fine Dimmer 4	000 ⇄ 255	0–100%
60	Red 4	000 ⇄ 255	0–100%
61	Fine Red 4	000 ⇄ 255	0–100%
62	Green 4	000 ⇄ 255	0–100%
63	Fine Green 4	000 ⇄ 255	0–100%
64	Blue 4	000 ⇄ 255	0–100%
65	Fine Blue 4	000 ⇄ 255	0–100%
66	White 4	000 ⇄ 255	0–100%
67	Fine White 4	000 ⇄ 255	0–100%
68	Dimmer 5	000 ⇄ 255	0–100%
69	Fine Dimmer 5	000 ⇄ 255	0–100%
70	Red 5	000 ⇄ 255	0–100%
71	Fine Red 5	000 ⇄ 255	0–100%
72	Green 5	000 ⇄ 255	0–100%
73	Fine Green 5	000 ⇄ 255	0–100%
74	Blue 5	000 ⇄ 255	0–100%
75	Fine Blue 5	000 ⇄ 255	0–100%
76	White 5	000 ⇄ 255	0–100%
77	Fine White 5	000 ⇄ 255	0–100%
78	Dimmer 6	000 ⇄ 255	0–100%
79	Fine Dimmer 6	000 ⇄ 255	0–100%
80	Red 6	000 ⇄ 255	0–100%
81	Fine Red 6	000 ⇄ 255	0–100%

Channel	Function	Value	Percent/Setting
82	Green 6	000 ⇔ 255	0–100%
83	Fine Green 6	000 ⇔ 255	0–100%
84	Blue 6	000 ⇔ 255	0–100%
85	Fine Blue 6	000 ⇔ 255	0–100%
86	White 6	000 ⇔ 255	0–100%
87	Fine White 6	000 ⇔ 255	0–100%
88	Dimmer 7	000 ⇔ 255	0–100%
89	Fine Dimmer 7	000 ⇔ 255	0–100%
90	Red 7	000 ⇔ 255	0–100%
91	Fine Red 7	000 ⇔ 255	0–100%
92	Green 7	000 ⇔ 255	0–100%
93	Fine Green 7	000 ⇔ 255	0–100%
94	Blue 7	000 ⇔ 255	0–100%
95	Fine Blue 7	000 ⇔ 255	0–100%
96	White 7	000 ⇔ 255	0–100%
97	Fine White 7	000 ⇔ 255	0–100%
98	Dimmer 8	000 ⇔ 255	0–100%
99	Fine Dimmer 8	000 ⇔ 255	0–100%
100	Red 8	000 ⇔ 255	0–100%
101	Fine Red 8	000 ⇔ 255	0–100%
102	Green 8	000 ⇔ 255	0–100%
103	Fine Green 8	000 ⇔ 255	0–100%
104	Blue 8	000 ⇔ 255	0–100%
105	Fine Blue 8	000 ⇔ 255	0–100%
106	White 8	000 ⇔ 255	0–100%
107	Fine White 8	000 ⇔ 255	0–100%
108	Dimmer 9	000 ⇔ 255	0–100%
109	Fine Dimmer 9	000 ⇔ 255	0–100%
110	Red 9	000 ⇔ 255	0–100%
111	Fine Red 9	000 ⇔ 255	0–100%
112	Green 9	000 ⇔ 255	0–100%
113	Fine Green 9	000 ⇔ 255	0–100%
114	Blue 9	000 ⇔ 255	0–100%
115	Fine Blue 9	000 ⇔ 255	0–100%
116	White 9	000 ⇔ 255	0–100%
117	Fine White 9	000 ⇔ 255	0–100%
118	Dimmer 10	000 ⇔ 255	0–100%
119	Fine Dimmer 10	000 ⇔ 255	0–100%
120	Red 10	000 ⇔ 255	0–100%
121	Fine Red 10	000 ⇔ 255	0–100%
122	Green 10	000 ⇔ 255	0–100%
123	Fine Green 10	000 ⇔ 255	0–100%
124	Blue 10	000 ⇔ 255	0–100%
125	Fine Blue 10	000 ⇔ 255	0–100%
126	White 10	000 ⇔ 255	0–100%
127	Fine White 10	000 ⇔ 255	0–100%
128	Dimmer 11	000 ⇔ 255	0–100%
129	Fine Dimmer 11	000 ⇔ 255	0–100%
130	Red 11	000 ⇔ 255	0–100%
131	Fine Red 11	000 ⇔ 255	0–100%
132	Green 11	000 ⇔ 255	0–100%
133	Fine Green 11	000 ⇔ 255	0–100%
134	Blue 11	000 ⇔ 255	0–100%
135	Fine Blue 11	000 ⇔ 255	0–100%

## QUICK REFERENCE GUIDE



EN

Channel	Function	Value	Percent/Setting
136	White 11	000 ⇄ 255	0–100%
137	Fine White 11	000 ⇄ 255	0–100%
138	Dimmer 12	000 ⇄ 255	0–100%
139	Fine Dimmer 12	000 ⇄ 255	0–100%
140	Red 12	000 ⇄ 255	0–100%
141	Fine Red 12	000 ⇄ 255	0–100%
142	Green 12	000 ⇄ 255	0–100%
143	Fine Green 12	000 ⇄ 255	0–100%
144	Blue 12	000 ⇄ 255	0–100%
145	Fine Blue 12	000 ⇄ 255	0–100%
146	White 12	000 ⇄ 255	0–100%
147	Fine White 12	000 ⇄ 255	0–100%
148	Dimmer 13	000 ⇄ 255	0–100%
149	Fine Dimmer 13	000 ⇄ 255	0–100%
150	Red 13	000 ⇄ 255	0–100%
151	Fine Red 13	000 ⇄ 255	0–100%
152	Green 13	000 ⇄ 255	0–100%
153	Fine Green 13	000 ⇄ 255	0–100%
154	Blue 13	000 ⇄ 255	0–100%
155	Fine Blue 13	000 ⇄ 255	0–100%
156	White 13	000 ⇄ 255	0–100%
157	Fine White 13	000 ⇄ 255	0–100%
158	Dimmer 14	000 ⇄ 255	0–100%
159	Fine Dimmer 14	000 ⇄ 255	0–100%
160	Red 14	000 ⇄ 255	0–100%
161	Fine Red 14	000 ⇄ 255	0–100%
162	Green 14	000 ⇄ 255	0–100%
163	Fine Green 14	000 ⇄ 255	0–100%
164	Blue 14	000 ⇄ 255	0–100%
165	Fine Blue 14	000 ⇄ 255	0–100%
166	White 14	000 ⇄ 255	0–100%
167	Fine White 14	000 ⇄ 255	0–100%
168	Dimmer 15	000 ⇄ 255	0–100%
169	Fine Dimmer 15	000 ⇄ 255	0–100%
170	Red 15	000 ⇄ 255	0–100%
171	Fine Red 15	000 ⇄ 255	0–100%
172	Green 15	000 ⇄ 255	0–100%
173	Fine Green 15	000 ⇄ 255	0–100%
174	Blue 15	000 ⇄ 255	0–100%
175	Fine Blue 15	000 ⇄ 255	0–100%
176	White 15	000 ⇄ 255	0–100%
177	Fine White 15	000 ⇄ 255	0–100%
178	Dimmer 16	000 ⇄ 255	0–100%
179	Fine Dimmer 16	000 ⇄ 255	0–100%
180	Red 16	000 ⇄ 255	0–100%
181	Fine Red 16	000 ⇄ 255	0–100%
182	Green 16	000 ⇄ 255	0–100%
183	Fine Green 16	000 ⇄ 255	0–100%
184	Blue 16	000 ⇄ 255	0–100%
185	Fine Blue 16	000 ⇄ 255	0–100%
186	White 16	000 ⇄ 255	0–100%
187	Fine White 16	000 ⇄ 255	0–100%
188	Dimmer 17	000 ⇄ 255	0–100%
189	Fine Dimmer 17	000 ⇄ 255	0–100%



Channel	Function	Value	Percent/Setting
190	Red 17	000 ⇔ 255	0–100%
191	Fine Red 17	000 ⇔ 255	0–100%
192	Green 17	000 ⇔ 255	0–100%
193	Fine Green 17	000 ⇔ 255	0–100%
194	Blue 17	000 ⇔ 255	0–100%
195	Fine Blue 17	000 ⇔ 255	0–100%
196	White 17	000 ⇔ 255	0–100%
197	Fine White 17	000 ⇔ 255	0–100%
198	Dimmer 18	000 ⇔ 255	0–100%
199	Fine Dimmer 18	000 ⇔ 255	0–100%
200	Red 18	000 ⇔ 255	0–100%
201	Fine Red 18	000 ⇔ 255	0–100%
202	Green 18	000 ⇔ 255	0–100%
203	Fine Green 18	000 ⇔ 255	0–100%
204	Blue 18	000 ⇔ 255	0–100%
205	Fine Blue 18	000 ⇔ 255	0–100%
206	White 18	000 ⇔ 255	0–100%
207	Fine White 18	000 ⇔ 255	0–100%
208	Dimmer 19	000 ⇔ 255	0–100%
209	Fine Dimmer 19	000 ⇔ 255	0–100%
210	Red 19	000 ⇔ 255	0–100%
211	Fine Red 19	000 ⇔ 255	0–100%
212	Green 19	000 ⇔ 255	0–100%
213	Fine Green 19	000 ⇔ 255	0–100%
214	Blue 19	000 ⇔ 255	0–100%
215	Fine Blue 19	000 ⇔ 255	0–100%
216	White 19	000 ⇔ 255	0–100%
217	Fine White 19	000 ⇔ 255	0–100%
218	Dimmer 20	000 ⇔ 255	0–100%
219	Fine Dimmer 20	000 ⇔ 255	0–100%
220	Red 20	000 ⇔ 255	0–100%
221	Fine Red 20	000 ⇔ 255	0–100%
222	Green 20	000 ⇔ 255	0–100%
223	Fine Green 20	000 ⇔ 255	0–100%
224	Blue 20	000 ⇔ 255	0–100%
225	Fine Blue 20	000 ⇔ 255	0–100%
226	White 20	000 ⇔ 255	0–100%
227	Fine White 20	000 ⇔ 255	0–100%
228	Dimmer 21	000 ⇔ 255	0–100%
229	Fine Dimmer 21	000 ⇔ 255	0–100%
230	Red 21	000 ⇔ 255	0–100%
231	Fine Red 21	000 ⇔ 255	0–100%
232	Green 21	000 ⇔ 255	0–100%
233	Fine Green 21	000 ⇔ 255	0–100%
234	Blue 21	000 ⇔ 255	0–100%
235	Fine Blue 21	000 ⇔ 255	0–100%
236	White 21	000 ⇔ 255	0–100%
237	Fine White 21	000 ⇔ 255	0–100%
238	Dimmer 22	000 ⇔ 255	0–100%
239	Fine Dimmer 22	000 ⇔ 255	0–100%
240	Red 22	000 ⇔ 255	0–100%
241	Fine Red 22	000 ⇔ 255	0–100%
242	Green 22	000 ⇔ 255	0–100%
243	Fine Green 22	000 ⇔ 255	0–100%

## QUICK REFERENCE GUIDE



EN

Channel	Function	Value	Percent/Setting
244	Blue 22	000 ⇄ 255	0–100%
245	Fine Blue 22	000 ⇄ 255	0–100%
246	White 22	000 ⇄ 255	0–100%
247	Fine White 22	000 ⇄ 255	0–100%
248	Dimmer 23	000 ⇄ 255	0–100%
249	Fine Dimmer 23	000 ⇄ 255	0–100%
250	Red 23	000 ⇄ 255	0–100%
251	Fine Red 23	000 ⇄ 255	0–100%
252	Green 23	000 ⇄ 255	0–100%
253	Fine Green 23	000 ⇄ 255	0–100%
254	Blue 23	000 ⇄ 255	0–100%
255	Fine Blue 23	000 ⇄ 255	0–100%
256	White 23	000 ⇄ 255	0–100%
257	Fine White 23	000 ⇄ 255	0–100%
258	Dimmer 24	000 ⇄ 255	0–100%
259	Fine Dimmer 24	000 ⇄ 255	0–100%
260	Red 24	000 ⇄ 255	0–100%
261	Fine Red 24	000 ⇄ 255	0–100%
262	Green 24	000 ⇄ 255	0–100%
263	Fine Green 24	000 ⇄ 255	0–100%
264	Blue 24	000 ⇄ 255	0–100%
265	Fine Blue 24	000 ⇄ 255	0–100%
266	White 24	000 ⇄ 255	0–100%
267	Fine White 24	000 ⇄ 255	0–100%
268	Dimmer 25	000 ⇄ 255	0–100%
269	Fine Dimmer 25	000 ⇄ 255	0–100%
270	Red 25	000 ⇄ 255	0–100%
271	Fine Red 25	000 ⇄ 255	0–100%
272	Green 25	000 ⇄ 255	0–100%
273	Fine Green 25	000 ⇄ 255	0–100%
274	Blue 25	000 ⇄ 255	0–100%
275	Fine Blue 25	000 ⇄ 255	0–100%
276	White 25	000 ⇄ 255	0–100%
277	Fine White 25	000 ⇄ 255	0–100%
278	Dimmer 26	000 ⇄ 255	0–100%
279	Fine Dimmer 26	000 ⇄ 255	0–100%
280	Red 26	000 ⇄ 255	0–100%
281	Fine Red 26	000 ⇄ 255	0–100%
282	Green 26	000 ⇄ 255	0–100%
283	Fine Green 26	000 ⇄ 255	0–100%
284	Blue 26	000 ⇄ 255	0–100%
285	Fine Blue 26	000 ⇄ 255	0–100%
286	White 26	000 ⇄ 255	0–100%
287	Fine White 26	000 ⇄ 255	0–100%
288	Dimmer 27	000 ⇄ 255	0–100%
289	Fine Dimmer 27	000 ⇄ 255	0–100%
290	Red 27	000 ⇄ 255	0–100%
291	Fine Red 27	000 ⇄ 255	0–100%
292	Green 27	000 ⇄ 255	0–100%
293	Fine Green 27	000 ⇄ 255	0–100%
294	Blue 27	000 ⇄ 255	0–100%
295	Fine Blue 27	000 ⇄ 255	0–100%
296	White 27	000 ⇄ 255	0–100%
297	Fine White 27	000 ⇄ 255	0–100%

Single Control: Advanced Mode (243-channel)

Channel	Function	Value	Percent/Setting
1	Pan	000 ⇔ 255	0–100%
2	Pan Fine	000 ⇔ 255	0–100%
3	Tilt	000 ⇔ 255	0–100%
4	Tilt Fine	000 ⇔ 255	0–100%
5	Pan/Tilt Speed	000 ⇔ 255	Fast to slow
6	CTC	000	No function
		001 ⇔ 255	Color temperature, 2800–10000 K
7	Color Macro	000	No function
		001 ⇔ 255	Color macros
8	Gobo	000	No function
		001 ⇔ 255	Gobos (indexed)
9	LED Macro / Auto Program	000 ⇔ 015	No function
		016 ⇔ 135	LED macros
		136 ⇔ 255	Auto programs
10	LED Macro / Auto Program Speed	000 ⇔ 127	Auto speed, fast to slow
		128	Hold
		129 ⇔ 255	Auto speed, slow to fast
11	LED Built-in Delay	000 ⇔ 255	Fast to slow
12	Background Color	000	No function
		001 ⇔ 002	2700K R = 156 G = 118 B = 0 W = 63
		003 ⇔ 004	3200K R = 156 G = 141 B = 5 W = 89
		005 ⇔ 006	4200K R = 156 G = 141 B = 14 W = 255
		007 ⇔ 008	5600K R = 156 G = 207 B = 54 W = 255
		009 ⇔ 010	8000K R = 130 G = 255 B = 96 W = 255
		011	Blue R = 0 G = 0 B = 255 W = 0
		012 ⇔ 048	+ Green R = 0 G = 0–255 B = 255 W = 0
		049	Cyan R = 0 G = 255 B = 255 W = 0
		050 ⇔ 086	- Blue R = 0 G = 255 B = 255–0 W = 0
		087	Green R = 0 G = 255 B = 0 W = 0
		088 ⇔ 124	+ Red R = 0–255 G = 255 B = 0 W = 0
		125	Yellow R = 255 G = 255 B = 0 W = 0
		126 ⇔ 162	- Green R = 255 G = 255–0 B = 0 W = 0
		163	Red R = 255 G = 0 B = 0 W = 0
		164 ⇔ 200	+ Blue R = 255 G = 0 B = 0–255 W = 0
		201	Magenta R = 255 G = 0 B = 255 W = 0
		202 ⇔ 238	- Red R = 255–0 G = 0 B = 255 W = 0
		239	Blue R = 0 G = 0 B = 255 W = 0
240 ⇔ 247	Color fade, fast to slow		
248 ⇔ 255	Color snap, fast to slow		
13	Background Dimmer	000 ⇔ 255	0–100%
14	Background Fine Dimmer	000 ⇔ 255	0–100%
15	Main Dimmer	000 ⇔ 255	0–100%
16	Main Fine Dimmer	000 ⇔ 255	0–100%

## QUICK REFERENCE GUIDE



EN

Channel	Function	Value	Percent/Setting
17	Shutter	000 ⇄ 019	Off
		020 ⇄ 024	On
		025 ⇄ 064	Strobe, fast to slow
		065 ⇄ 069	On
		070 ⇄ 084	Strobe 100–0%, fast to slow
		085 ⇄ 089	On
		090 ⇄ 104	Strobe 0–100%, fast to slow
		105 ⇄ 109	On
		110 ⇄ 124	Random strobe, fast to slow
		125 ⇄ 129	On
		130 ⇄ 144	Random strobe 100–0%, fast to slow
		145 ⇄ 149	On
		150 ⇄ 164	Random strobe 0–100%, fast to slow
		165 ⇄ 169	On
		170 ⇄ 184	Pulse strobe, fast to slow
		185 ⇄ 189	On
		190 ⇄ 204	Random pulse strobe, fast to slow
205 ⇄ 209	On		
210 ⇄ 224	Strobe 0–100–0%, fast to slow		
225 ⇄ 229	On		
230 ⇄ 244	Random pulse strobe, fast to slow		
245 ⇄ 255	On		
18	Zoom	000 ⇄ 255	Wide to narrow
19	Control	000 ⇄ 009	No function
		010 ⇄ 014	Blackout on Pan/Tilt
		015 ⇄ 019	Reserved for future use
		020 ⇄ 024	RGBW color mixing mode
		025 ⇄ 029	CMY color mixing mode (R=C, G=M, B=Y)
		030 ⇄ 049	Reserved for future use
		050 ⇄ 054	Pan reset
		055 ⇄ 059	Tilt reset
		060 ⇄ 064	Zoom reset
		065 ⇄ 069	Reserved for future use
		070 ⇄ 074	Reset all
		075 ⇄ 109	Reserved for future use
		110 ⇄ 114	Fast Pan/Tilt speed
		115 ⇄ 119	Slow Pan/tilt speed
		120 ⇄ 124	Slow fan mode
		125 ⇄ 129	Full fan mode
		130 ⇄ 134	Auto fan mode
135 ⇄ 139	Fast dimmer mode		
140 ⇄ 144	Slow dimmer mode		
145 ⇄ 255	Reserved for future use		
20	Main Red	000 ⇄ 255	0–100%
21	Main Fine Red	000 ⇄ 255	0–100%
22	Main Green	000 ⇄ 255	0–100%
23	Main Fine Green	000 ⇄ 255	0–100%
24	Main Blue	000 ⇄ 255	0–100%
25	Main Fine Blue	000 ⇄ 255	0–100%
26	Main White	000 ⇄ 255	0–100%
27	Main Fine White	000 ⇄ 255	0–100%
28	Red 1	000 ⇄ 255	0–100%
29	Fine Red 1	000 ⇄ 255	0–100%
30	Green 1	000 ⇄ 255	0–100%
31	Fine Green 1	000 ⇄ 255	0–100%

Channel	Function	Value	Percent/Setting
32	Blue 1	000 ⇔ 255	0–100%
33	Fine Blue 1	000 ⇔ 255	0–100%
34	White 1	000 ⇔ 255	0–100%
35	Fine White 1	000 ⇔ 255	0–100%
36	Red 2	000 ⇔ 255	0–100%
37	Fine Red 2	000 ⇔ 255	0–100%
38	Green 2	000 ⇔ 255	0–100%
39	Fine Green 2	000 ⇔ 255	0–100%
40	Blue 2	000 ⇔ 255	0–100%
41	Fine Blue 2	000 ⇔ 255	0–100%
42	White 2	000 ⇔ 255	0–100%
43	Fine White 2	000 ⇔ 255	0–100%
44	Red 3	000 ⇔ 255	0–100%
45	Fine Red 3	000 ⇔ 255	0–100%
46	Green 3	000 ⇔ 255	0–100%
47	Fine Green 3	000 ⇔ 255	0–100%
48	Blue 3	000 ⇔ 255	0–100%
49	Fine Blue 3	000 ⇔ 255	0–100%
50	White 3	000 ⇔ 255	0–100%
51	Fine White 3	000 ⇔ 255	0–100%
52	Red 4	000 ⇔ 255	0–100%
53	Fine Red 4	000 ⇔ 255	0–100%
54	Green 4	000 ⇔ 255	0–100%
55	Fine Green 4	000 ⇔ 255	0–100%
56	Blue 4	000 ⇔ 255	0–100%
57	Fine Blue 4	000 ⇔ 255	0–100%
58	White 4	000 ⇔ 255	0–100%
59	Fine White 4	000 ⇔ 255	0–100%
60	Red 5	000 ⇔ 255	0–100%
61	Fine Red 5	000 ⇔ 255	0–100%
62	Green 5	000 ⇔ 255	0–100%
63	Fine Green 5	000 ⇔ 255	0–100%
64	Blue 5	000 ⇔ 255	0–100%
65	Fine Blue 5	000 ⇔ 255	0–100%
66	White 5	000 ⇔ 255	0–100%
67	Fine White 5	000 ⇔ 255	0–100%
68	Red 6	000 ⇔ 255	0–100%
69	Fine Red 6	000 ⇔ 255	0–100%
70	Green 6	000 ⇔ 255	0–100%
71	Fine Green 6	000 ⇔ 255	0–100%
72	Blue 6	000 ⇔ 255	0–100%
73	Fine Blue 6	000 ⇔ 255	0–100%
74	White 6	000 ⇔ 255	0–100%
75	Fine White 6	000 ⇔ 255	0–100%
76	Red 7	000 ⇔ 255	0–100%
77	Fine Red 7	000 ⇔ 255	0–100%
78	Green 7	000 ⇔ 255	0–100%
79	Fine Green 7	000 ⇔ 255	0–100%
80	Blue 7	000 ⇔ 255	0–100%
81	Fine Blue 7	000 ⇔ 255	0–100%
82	White 7	000 ⇔ 255	0–100%
83	Fine White 7	000 ⇔ 255	0–100%
84	Red 8	000 ⇔ 255	0–100%
85	Fine Red 8	000 ⇔ 255	0–100%

## QUICK REFERENCE GUIDE



EN

Channel	Function	Value	Percent/Setting
86	Green 8	000 ⇄ 255	0–100%
87	Fine Green 8	000 ⇄ 255	0–100%
88	Blue 8	000 ⇄ 255	0–100%
89	Fine Blue 8	000 ⇄ 255	0–100%
90	White 8	000 ⇄ 255	0–100%
91	Fine White 8	000 ⇄ 255	0–100%
92	Red 9	000 ⇄ 255	0–100%
93	Fine Red 9	000 ⇄ 255	0–100%
94	Green 9	000 ⇄ 255	0–100%
95	Fine Green 9	000 ⇄ 255	0–100%
96	Blue 9	000 ⇄ 255	0–100%
97	Fine Blue 9	000 ⇄ 255	0–100%
98	White 9	000 ⇄ 255	0–100%
99	Fine White 9	000 ⇄ 255	0–100%
100	Red 10	000 ⇄ 255	0–100%
101	Fine Red 10	000 ⇄ 255	0–100%
102	Green 10	000 ⇄ 255	0–100%
103	Fine Green 10	000 ⇄ 255	0–100%
104	Blue 10	000 ⇄ 255	0–100%
105	Fine Blue 10	000 ⇄ 255	0–100%
106	White 10	000 ⇄ 255	0–100%
107	Fine White 10	000 ⇄ 255	0–100%
108	Red 11	000 ⇄ 255	0–100%
109	Fine Red 11	000 ⇄ 255	0–100%
110	Green 11	000 ⇄ 255	0–100%
111	Fine Green 11	000 ⇄ 255	0–100%
112	Blue 11	000 ⇄ 255	0–100%
113	Fine Blue 11	000 ⇄ 255	0–100%
114	White 11	000 ⇄ 255	0–100%
115	Fine White 11	000 ⇄ 255	0–100%
116	Red 12	000 ⇄ 255	0–100%
117	Fine Red 12	000 ⇄ 255	0–100%
118	Green 12	000 ⇄ 255	0–100%
119	Fine Green 12	000 ⇄ 255	0–100%
120	Blue 12	000 ⇄ 255	0–100%
121	Fine Blue 12	000 ⇄ 255	0–100%
122	White 12	000 ⇄ 255	0–100%
123	Fine White 12	000 ⇄ 255	0–100%
124	Red 13	000 ⇄ 255	0–100%
125	Fine Red 13	000 ⇄ 255	0–100%
126	Green 13	000 ⇄ 255	0–100%
127	Fine Green 13	000 ⇄ 255	0–100%
128	Blue 13	000 ⇄ 255	0–100%
129	Fine Blue 13	000 ⇄ 255	0–100%
130	White 13	000 ⇄ 255	0–100%
131	Fine White 13	000 ⇄ 255	0–100%
132	Red 14	000 ⇄ 255	0–100%
133	Fine Red 14	000 ⇄ 255	0–100%
134	Green 14	000 ⇄ 255	0–100%
135	Fine Green 14	000 ⇄ 255	0–100%
136	Blue 14	000 ⇄ 255	0–100%
137	Fine Blue 14	000 ⇄ 255	0–100%
138	White 14	000 ⇄ 255	0–100%
139	Fine White 14	000 ⇄ 255	0–100%



Channel	Function	Value	Percent/Setting
140	Red 15	000 ⇔ 255	0–100%
141	Fine Red 15	000 ⇔ 255	0–100%
142	Green 15	000 ⇔ 255	0–100%
143	Fine Green 15	000 ⇔ 255	0–100%
144	Blue 15	000 ⇔ 255	0–100%
145	Fine Blue 15	000 ⇔ 255	0–100%
146	White 15	000 ⇔ 255	0–100%
147	Fine White 15	000 ⇔ 255	0–100%
148	Red 16	000 ⇔ 255	0–100%
149	Fine Red 16	000 ⇔ 255	0–100%
150	Green 16	000 ⇔ 255	0–100%
151	Fine Green 16	000 ⇔ 255	0–100%
152	Blue 16	000 ⇔ 255	0–100%
153	Fine Blue 16	000 ⇔ 255	0–100%
154	White 16	000 ⇔ 255	0–100%
155	Fine White 16	000 ⇔ 255	0–100%
156	Red 17	000 ⇔ 255	0–100%
157	Fine Red 17	000 ⇔ 255	0–100%
158	Green 17	000 ⇔ 255	0–100%
159	Fine Green 17	000 ⇔ 255	0–100%
160	Blue 17	000 ⇔ 255	0–100%
161	Fine Blue 17	000 ⇔ 255	0–100%
162	White 17	000 ⇔ 255	0–100%
163	Fine White 17	000 ⇔ 255	0–100%
164	Red 18	000 ⇔ 255	0–100%
165	Fine Red 18	000 ⇔ 255	0–100%
166	Green 18	000 ⇔ 255	0–100%
167	Fine Green 18	000 ⇔ 255	0–100%
168	Blue 18	000 ⇔ 255	0–100%
169	Fine Blue 18	000 ⇔ 255	0–100%
170	White 18	000 ⇔ 255	0–100%
171	Fine White 18	000 ⇔ 255	0–100%
172	Red 19	000 ⇔ 255	0–100%
173	Fine Red 19	000 ⇔ 255	0–100%
174	Green 19	000 ⇔ 255	0–100%
175	Fine Green 19	000 ⇔ 255	0–100%
176	Blue 19	000 ⇔ 255	0–100%
177	Fine Blue 19	000 ⇔ 255	0–100%
178	White 19	000 ⇔ 255	0–100%
179	Fine White 19	000 ⇔ 255	0–100%
180	Red 20	000 ⇔ 255	0–100%
181	Fine Red 20	000 ⇔ 255	0–100%
182	Green 20	000 ⇔ 255	0–100%
183	Fine Green 20	000 ⇔ 255	0–100%
184	Blue 20	000 ⇔ 255	0–100%
185	Fine Blue 20	000 ⇔ 255	0–100%
186	White 20	000 ⇔ 255	0–100%
187	Fine White 20	000 ⇔ 255	0–100%
188	Red 21	000 ⇔ 255	0–100%
189	Fine Red 21	000 ⇔ 255	0–100%
190	Green 21	000 ⇔ 255	0–100%
191	Fine Green 21	000 ⇔ 255	0–100%
192	Blue 21	000 ⇔ 255	0–100%
193	Fine Blue 21	000 ⇔ 255	0–100%

## QUICK REFERENCE GUIDE



EN

Channel	Function	Value	Percent/Setting
194	White 21	000 ⇄ 255	0–100%
195	Fine White 21	000 ⇄ 255	0–100%
196	Red 22	000 ⇄ 255	0–100%
197	Fine Red 22	000 ⇄ 255	0–100%
198	Green 22	000 ⇄ 255	0–100%
199	Fine Green 22	000 ⇄ 255	0–100%
200	Blue 22	000 ⇄ 255	0–100%
201	Fine Blue 22	000 ⇄ 255	0–100%
202	White 22	000 ⇄ 255	0–100%
203	Fine White 22	000 ⇄ 255	0–100%
204	Red 23	000 ⇄ 255	0–100%
205	Fine Red 23	000 ⇄ 255	0–100%
206	Green 23	000 ⇄ 255	0–100%
207	Fine Green 23	000 ⇄ 255	0–100%
208	Blue 23	000 ⇄ 255	0–100%
209	Fine Blue 23	000 ⇄ 255	0–100%
210	White 23	000 ⇄ 255	0–100%
211	Fine White 23	000 ⇄ 255	0–100%
212	Red 24	000 ⇄ 255	0–100%
213	Fine Red 24	000 ⇄ 255	0–100%
214	Green 24	000 ⇄ 255	0–100%
215	Fine Green 24	000 ⇄ 255	0–100%
216	Blue 24	000 ⇄ 255	0–100%
217	Fine Blue 24	000 ⇄ 255	0–100%
218	White 24	000 ⇄ 255	0–100%
219	Fine White 24	000 ⇄ 255	0–100%
220	Red 25	000 ⇄ 255	0–100%
221	Fine Red 25	000 ⇄ 255	0–100%
222	Green 25	000 ⇄ 255	0–100%
223	Fine Green 25	000 ⇄ 255	0–100%
224	Blue 25	000 ⇄ 255	0–100%
225	Fine Blue 25	000 ⇄ 255	0–100%
226	White 25	000 ⇄ 255	0–100%
227	Fine White 25	000 ⇄ 255	0–100%
228	Red 26	000 ⇄ 255	0–100%
229	Fine Red 26	000 ⇄ 255	0–100%
230	Green 26	000 ⇄ 255	0–100%
231	Fine Green 26	000 ⇄ 255	0–100%
232	Blue 26	000 ⇄ 255	0–100%
233	Fine Blue 26	000 ⇄ 255	0–100%
234	White 26	000 ⇄ 255	0–100%
235	Fine White 26	000 ⇄ 255	0–100%
236	Red 27	000 ⇄ 255	0–100%
237	Fine Red 27	000 ⇄ 255	0–100%
238	Green 27	000 ⇄ 255	0–100%
239	Fine Green 27	000 ⇄ 255	0–100%
240	Blue 27	000 ⇄ 255	0–100%
241	Fine Blue 27	000 ⇄ 255	0–100%
242	White 27	000 ⇄ 255	0–100%
243	Fine White 27	000 ⇄ 255	0–100%

Single Control: Standard Mode (129-channel)

Channel	Function	Value	Percent/Setting
1	Pan	000 ⇔ 255	0–100%
2	Pan Fine	000 ⇔ 255	0–100%
3	Tilt	000 ⇔ 255	0–100%
4	Tilt Fine	000 ⇔ 255	0–100%
5	Pan/Tilt Speed	000 ⇔ 255	Fast to slow
6	CTC	000	No function
		001 ⇔ 255	Color temperature, 2800–10000 K
7	Color Macro	000	No function
		001 ⇔ 255	Color macros
8	Gobo	000	No function
		001 ⇔ 255	Gobos (indexed)
9	LED Macro / Auto Program	000 ⇔ 015	No function
		016 ⇔ 135	LED macros
		136 ⇔ 255	Auto programs
10	LED Macro / Auto Program Speed	000 ⇔ 127	Auto speed, fast to slow
		128	Hold
		129 ⇔ 255	Auto speed, slow to fast
11	LED Built-in Delay	000 ⇔ 255	Fast to slow
12	Background Color	000	No function
		001 ⇔ 002	2700K R = 156 G = 118 B = 0 W = 63
		003 ⇔ 004	3200K R = 156 G = 141 B = 5 W = 89
		005 ⇔ 006	4200K R = 156 G = 141 B = 14 W = 255
		007 ⇔ 008	5600K R = 156 G = 207 B = 54 W = 255
		009 ⇔ 010	8000K R = 130 G = 255 B = 96 W = 255
		011	Blue R = 0 G = 0 B = 255 W = 0
		012 ⇔ 048	+ Green R = 0 G = 0–255 B = 255 W = 0
		049	Cyan R = 0 G = 255 B = 255 W = 0
		050 ⇔ 086	- Blue R = 0 G = 255 B = 255–0 W = 0
		087	Green R = 0 G = 255 B = 0 W = 0
		088 ⇔ 124	+ Red R = 0–255 G = 255 B = 0 W = 0
		125	Yellow R = 255 G = 255 B = 0 W = 0
		126 ⇔ 162	- Green R = 255 G = 255–0 B = 0 W = 0
		163	Red R = 255 G = 0 B = 0 W = 0
		164 ⇔ 200	+ Blue R = 255 G = 0 B = 0–255 W = 0
		201	Magenta R = 255 G = 0 B = 255 W = 0
		202 ⇔ 238	- Red R = 255–0 G = 0 B = 255 W = 0
		239	Blue R = 0 G = 0 B = 255 W = 0
240 ⇔ 247	Color fade, fast to slow		
248 ⇔ 255	Color snap, fast to slow		
13	Background Dimmer	000 ⇔ 255	0–100%
14	Main Dimmer	000 ⇔ 255	0–100%

## QUICK REFERENCE GUIDE



EN

Channel	Function	Value	Percent/Setting
15	Shutter	000 ⇄ 019	Off
		020 ⇄ 024	On
		025 ⇄ 064	Strobe, fast to slow
		065 ⇄ 069	On
		070 ⇄ 084	Strobe 100–0%, fast to slow
		085 ⇄ 089	On
		090 ⇄ 104	Strobe 0–100%, fast to slow
		105 ⇄ 109	On
		110 ⇄ 124	Random strobe, fast to slow
		125 ⇄ 129	On
		130 ⇄ 144	Random strobe 100–0%, fast to slow
		145 ⇄ 149	On
		150 ⇄ 164	Random strobe 0–100%, fast to slow
		165 ⇄ 169	On
		170 ⇄ 184	Pulse strobe, fast to slow
		185 ⇄ 189	On
		190 ⇄ 204	Random pulse strobe, fast to slow
205 ⇄ 209	On		
210 ⇄ 224	Strobe 0–100–0%, fast to slow		
225 ⇄ 229	On		
230 ⇄ 244	Random pulse strobe, fast to slow		
245 ⇄ 255	On		
16	Zoom	000 ⇄ 255	Wide to narrow
17	Control	000 ⇄ 009	No function
		010 ⇄ 014	Blackout on Pan/Tilt
		015 ⇄ 019	Reserved for future use
		020 ⇄ 024	RGBW color mixing mode
		025 ⇄ 029	CMY color mixing mode (R=C, G=M, B=Y)
		030 ⇄ 049	Reserved for future use
		050 ⇄ 054	Pan reset
		055 ⇄ 059	Tilt reset
		060 ⇄ 064	Zoom reset
		065 ⇄ 069	Reserved for future use
		070 ⇄ 074	Reset all
		075 ⇄ 109	Reserved for future use
		110 ⇄ 114	Fast Pan/Tilt speed
		115 ⇄ 119	Slow Pan/tilt speed
		120 ⇄ 124	Slow fan mode
		125 ⇄ 129	Full fan mode
		130 ⇄ 134	Auto fan mode
135 ⇄ 139	Fast dimmer mode		
140 ⇄ 144	Slow dimmer mode		
145 ⇄ 255	Reserved for future use		
18	Main Red	000 ⇄ 255	0–100%
19	Main Green	000 ⇄ 255	0–100%
20	Main Blue	000 ⇄ 255	0–100%
21	Main White	000 ⇄ 255	0–100%
22	Red 1	000 ⇄ 255	0–100%
23	Green 1	000 ⇄ 255	0–100%
24	Blue 1	000 ⇄ 255	0–100%
25	White 1	000 ⇄ 255	0–100%
26	Red 2	000 ⇄ 255	0–100%
27	Green 2	000 ⇄ 255	0–100%
28	Blue 2	000 ⇄ 255	0–100%
29	White 2	000 ⇄ 255	0–100%

Channel	Function	Value	Percent/Setting
30	Red 3	000 ⇔ 255	0–100%
31	Green 3	000 ⇔ 255	0–100%
32	Blue 3	000 ⇔ 255	0–100%
33	White 3	000 ⇔ 255	0–100%
34	Red 4	000 ⇔ 255	0–100%
35	Green 4	000 ⇔ 255	0–100%
36	Blue 4	000 ⇔ 255	0–100%
37	White 4	000 ⇔ 255	0–100%
38	Red 5	000 ⇔ 255	0–100%
39	Green 5	000 ⇔ 255	0–100%
40	Blue 5	000 ⇔ 255	0–100%
41	White 5	000 ⇔ 255	0–100%
42	Red 6	000 ⇔ 255	0–100%
43	Green 6	000 ⇔ 255	0–100%
44	Blue 6	000 ⇔ 255	0–100%
45	White 6	000 ⇔ 255	0–100%
46	Red 7	000 ⇔ 255	0–100%
47	Green 7	000 ⇔ 255	0–100%
48	Blue 7	000 ⇔ 255	0–100%
49	White 7	000 ⇔ 255	0–100%
50	Red 8	000 ⇔ 255	0–100%
51	Green 8	000 ⇔ 255	0–100%
52	Blue 8	000 ⇔ 255	0–100%
53	White 8	000 ⇔ 255	0–100%
54	Red 9	000 ⇔ 255	0–100%
55	Green 9	000 ⇔ 255	0–100%
56	Blue 9	000 ⇔ 255	0–100%
57	White 9	000 ⇔ 255	0–100%
58	Red 10	000 ⇔ 255	0–100%
59	Green 10	000 ⇔ 255	0–100%
60	Blue 10	000 ⇔ 255	0–100%
61	White 10	000 ⇔ 255	0–100%
62	Red 11	000 ⇔ 255	0–100%
63	Green 11	000 ⇔ 255	0–100%
64	Blue 11	000 ⇔ 255	0–100%
65	White 11	000 ⇔ 255	0–100%
66	Red 12	000 ⇔ 255	0–100%
67	Green 12	000 ⇔ 255	0–100%
68	Blue 12	000 ⇔ 255	0–100%
69	White 12	000 ⇔ 255	0–100%
70	Red 13	000 ⇔ 255	0–100%
71	Green 13	000 ⇔ 255	0–100%
72	Blue 13	000 ⇔ 255	0–100%
73	White 13	000 ⇔ 255	0–100%
74	Red 14	000 ⇔ 255	0–100%
75	Green 14	000 ⇔ 255	0–100%
76	Blue 14	000 ⇔ 255	0–100%
77	White 14	000 ⇔ 255	0–100%
78	Red 15	000 ⇔ 255	0–100%
79	Green 15	000 ⇔ 255	0–100%
80	Blue 15	000 ⇔ 255	0–100%
81	White 15	000 ⇔ 255	0–100%
82	Red 16	000 ⇔ 255	0–100%
83	Green 16	000 ⇔ 255	0–100%
84	Blue 16	000 ⇔ 255	0–100%

## QUICK REFERENCE GUIDE



EN

Channel	Function	Value	Percent/Setting
85	White 16	000 ⇄ 255	0–100%
86	Red 17	000 ⇄ 255	0–100%
87	Green 17	000 ⇄ 255	0–100%
88	Blue 17	000 ⇄ 255	0–100%
89	White 17	000 ⇄ 255	0–100%
90	Red 18	000 ⇄ 255	0–100%
91	Green 18	000 ⇄ 255	0–100%
92	Blue 18	000 ⇄ 255	0–100%
93	White 18	000 ⇄ 255	0–100%
94	Red 19	000 ⇄ 255	0–100%
95	Green 19	000 ⇄ 255	0–100%
96	Blue 19	000 ⇄ 255	0–100%
97	White 19	000 ⇄ 255	0–100%
98	Red 20	000 ⇄ 255	0–100%
99	Green 20	000 ⇄ 255	0–100%
100	Blue 20	000 ⇄ 255	0–100%
101	White 20	000 ⇄ 255	0–100%
102	Red 21	000 ⇄ 255	0–100%
103	Green 21	000 ⇄ 255	0–100%
104	Blue 21	000 ⇄ 255	0–100%
105	White 21	000 ⇄ 255	0–100%
106	Red 22	000 ⇄ 255	0–100%
107	Green 22	000 ⇄ 255	0–100%
108	Blue 22	000 ⇄ 255	0–100%
109	White 22	000 ⇄ 255	0–100%
110	Red 23	000 ⇄ 255	0–100%
111	Green 23	000 ⇄ 255	0–100%
112	Blue 23	000 ⇄ 255	0–100%
113	White 23	000 ⇄ 255	0–100%
114	Red 24	000 ⇄ 255	0–100%
115	Green 24	000 ⇄ 255	0–100%
116	Blue 24	000 ⇄ 255	0–100%
117	White 24	000 ⇄ 255	0–100%
118	Red 25	000 ⇄ 255	0–100%
119	Green 25	000 ⇄ 255	0–100%
120	Blue 25	000 ⇄ 255	0–100%
121	White 25	000 ⇄ 255	0–100%
122	Red 26	000 ⇄ 255	0–100%
123	Green 26	000 ⇄ 255	0–100%
124	Blue 26	000 ⇄ 255	0–100%
125	White 26	000 ⇄ 255	0–100%
126	Red 27	000 ⇄ 255	0–100%
127	Green 27	000 ⇄ 255	0–100%
128	Blue 27	000 ⇄ 255	0–100%
129	White 27	000 ⇄ 255	0–100%



Single Control: Basic Mode (21-channel)

Channel	Function	Value	Percent/Setting
1	Pan	000 ⇔ 255	0–100%
2	Pan Fine	000 ⇔ 255	0–100%
3	Tilt	000 ⇔ 255	0–100%
4	Tilt Fine	000 ⇔ 255	0–100%
5	Pan/Tilt Speed	000 ⇔ 255	Fast to slow
6	CTC	000	No function
		001 ⇔ 255	Color temperature, 2800–10000 K
7	Color Macro	000	No function
		001 ⇔ 255	Color macros
8	Gobo	000	No function
		001 ⇔ 255	Gobos (indexed)
9	LED Macro / Auto Program	000 ⇔ 015	No function
		016 ⇔ 135	LED macros
		136 ⇔ 255	Auto programs
10	LED Macro / Auto Program Speed	000 ⇔ 127	Auto speed, fast to slow
		128	Hold
		129 ⇔ 255	Auto speed, slow to fast
11	LED Built-in Delay	000 ⇔ 255	Fast to slow
12	Background Color	000	No function
		001 ⇔ 002	2700K R = 156 G = 118 B = 0 W = 63
		003 ⇔ 004	3200K R = 156 G = 141 B = 5 W = 89
		005 ⇔ 006	4200K R = 156 G = 141 B = 14 W = 255
		007 ⇔ 008	5600K R = 156 G = 207 B = 54 W = 255
		009 ⇔ 010	8000K R = 130 G = 255 B = 96 W = 255
		011	Blue R = 0 G = 0 B = 255 W = 0
		012 ⇔ 048	+ Green R = 0 G = 0–255 B = 255 W = 0
		049	Cyan R = 0 G = 255 B = 255 W = 0
		050 ⇔ 086	- Blue R = 0 G = 255 B = 255–0 W = 0
		087	Green R = 0 G = 255 B = 0 W = 0
		088 ⇔ 124	+ Red R = 0–255 G = 255 B = 0 W = 0
		125	Yellow R = 255 G = 255 B = 0 W = 0
		126 ⇔ 162	- Green R = 255 G = 255–0 B = 0 W = 0
		163	Red R = 255 G = 0 B = 0 W = 0
		164 ⇔ 200	+ Blue R = 255 G = 0 B = 0–255 W = 0
		201	Magenta R = 255 G = 0 B = 255 W = 0
		202 ⇔ 238	- Red R = 255–0 G = 0 B = 255 W = 0
		239	Blue R = 0 G = 0 B = 255 W = 0
		240 ⇔ 247	Color fade, fast to slow
248 ⇔ 255	Color snap, fast to slow		
13	Background Dimmer	000 ⇔ 255	0–100%
14	Main Dimmer	000 ⇔ 255	0–100%

## QUICK REFERENCE GUIDE



EN

Channel	Function	Value	Percent/Setting
15	Shutter	000 ⇄ 019	Off
		020 ⇄ 024	On
		025 ⇄ 064	Strobe, fast to slow
		065 ⇄ 069	On
		070 ⇄ 084	Strobe 100–0%, fast to slow
		085 ⇄ 089	On
		090 ⇄ 104	Strobe 0–100%, fast to slow
		105 ⇄ 109	On
		110 ⇄ 124	Random strobe, fast to slow
		125 ⇄ 129	On
		130 ⇄ 144	Random strobe 100–0%, fast to slow
		145 ⇄ 149	On
		150 ⇄ 164	Random strobe 0–100%, fast to slow
		165 ⇄ 169	On
		170 ⇄ 184	Pulse strobe, fast to slow
		185 ⇄ 189	On
		190 ⇄ 204	Random pulse strobe, fast to slow
205 ⇄ 209	On		
210 ⇄ 224	Strobe 0–100–0%, fast to slow		
225 ⇄ 229	On		
230 ⇄ 244	Random pulse strobe, fast to slow		
245 ⇄ 255	On		
16	Zoom	000 ⇄ 255	Wide to narrow
17	Control	000 ⇄ 009	No function
		010 ⇄ 014	Blackout on Pan/Tilt
		015 ⇄ 019	Reserved for future use
		020 ⇄ 024	RGBW color mixing mode
		025 ⇄ 029	CMY color mixing mode (R=C, G=M, B=Y)
		030 ⇄ 049	Reserved for future use
		050 ⇄ 054	Pan reset
		055 ⇄ 059	Tilt reset
		060 ⇄ 064	Zoom reset
		065 ⇄ 069	Reserved for future use
		070 ⇄ 074	Reset all
		075 ⇄ 109	Reserved for future use
		110 ⇄ 114	Fast Pan/Tilt speed
		115 ⇄ 119	Slow Pan/tilt speed
		120 ⇄ 124	Slow fan mode
		125 ⇄ 129	Full fan mode
		130 ⇄ 134	Auto fan mode
135 ⇄ 139	Fast dimmer mode		
140 ⇄ 144	Slow dimmer mode		
145 ⇄ 255	Reserved for future use		
18	Main Red	000 ⇄ 255	0–100%
19	Main Green	000 ⇄ 255	0–100%
20	Main Blue	000 ⇄ 255	0–100%
21	Main White	000 ⇄ 255	0–100%

Dual Control Values (Movement)

Dual Control: Advanced Movement Mode (27-channel)

Channel	Function	Value	Percent/Setting
1	Pan	000 ⇔ 255	0–100%
2	Pan Fine	000 ⇔ 255	0–100%
3	Tilt	000 ⇔ 255	0–100%
4	Tilt Fine	000 ⇔ 255	0–100%
5	Pan/Tilt Speed	000 ⇔ 255	Fast to slow
6	CTC	000	No function
		001 ⇔ 255	Color temperature, 2800–10000 K
7	Color Macro	000	No function
		001 ⇔ 255	Color macros
8	Gobo	000	No function
		001 ⇔ 255	Gobos (indexed)
9	LED Macro / Auto Program	000 ⇔ 015	No function
		016 ⇔ 135	LED macros
		136 ⇔ 255	Auto programs
10	LED Macro / Auto Program Speed	000 ⇔ 127	Auto speed, fast to slow
		128	Hold
		129 ⇔ 255	Auto speed, slow to fast
11	LED Built-in Delay	000 ⇔ 255	Fast to slow
12	Background Color	000	No function
		001 ⇔ 002	2700K R = 156 G = 118 B = 0 W = 63
		003 ⇔ 004	3200K R = 156 G = 141 B = 5 W = 89
		005 ⇔ 006	4200K R = 156 G = 141 B = 14 W = 255
		007 ⇔ 008	5600K R = 156 G = 207 B = 54 W = 255
		009 ⇔ 010	8000K R = 130 G = 255 B = 96 W = 255
		011	Blue R = 0 G = 0 B = 255 W = 0
		012 ⇔ 048	+ Green R = 0 G = 0–255 B = 255 W = 0
		049	Cyan R = 0 G = 255 B = 255 W = 0
		050 ⇔ 086	- Blue R = 0 G = 255 B = 255–0 W = 0
		087	Green R = 0 G = 255 B = 0 W = 0
		088 ⇔ 124	+ Red R = 0–255 G = 255 B = 0 W = 0
		125	Yellow R = 255 G = 255 B = 0 W = 0
		126 ⇔ 162	- Green R = 255 G = 255–0 B = 0 W = 0
		163	Red R = 255 G = 0 B = 0 W = 0
		164 ⇔ 200	+ Blue R = 255 G = 0 B = 0–255 W = 0
		201	Magenta R = 255 G = 0 B = 255 W = 0
		202 ⇔ 238	- Red R = 255–0 G = 0 B = 255 W = 0
239	Blue R = 0 G = 0 B = 255 W = 0		
240 ⇔ 247	Color fade, fast to slow		
248 ⇔ 255	Color snap, fast to slow		
13	Background Dimmer	000 ⇔ 255	0–100%
14	Background Fine Dimmer	000 ⇔ 255	0–100%
15	Main Dimmer	000 ⇔ 255	0–100%
16	Main Fine Dimmer	000 ⇔ 255	0–100%

## QUICK REFERENCE GUIDE



EN

Channel	Function	Value	Percent/Setting
17	Shutter	000 ⇄ 019	Off
		020 ⇄ 024	On
		025 ⇄ 064	Strobe, fast to slow
		065 ⇄ 069	On
		070 ⇄ 084	Strobe 100–0%, fast to slow
		085 ⇄ 089	On
		090 ⇄ 104	Strobe 0–100%, fast to slow
		105 ⇄ 109	On
		110 ⇄ 124	Random strobe, fast to slow
		125 ⇄ 129	On
		130 ⇄ 144	Random strobe 100–0%, fast to slow
		145 ⇄ 149	On
		150 ⇄ 164	Random strobe 0–100%, fast to slow
		165 ⇄ 169	On
		170 ⇄ 184	Pulse strobe, fast to slow
		185 ⇄ 189	On
		190 ⇄ 204	Random pulse strobe, fast to slow
205 ⇄ 209	On		
210 ⇄ 224	Strobe 0–100–0%, fast to slow		
225 ⇄ 229	On		
230 ⇄ 244	Random pulse strobe, fast to slow		
245 ⇄ 255	On		
18	Zoom	000 ⇄ 255	Wide to narrow
19	Control	000 ⇄ 009	No function
		010 ⇄ 014	Blackout on Pan/Tilt
		015 ⇄ 019	Reserved for future use
		020 ⇄ 024	RGBW color mixing mode
		025 ⇄ 029	CMY color mixing mode (R=C, G=M, B=Y)
		030 ⇄ 049	Reserved for future use
		050 ⇄ 054	Pan reset
		055 ⇄ 059	Tilt reset
		060 ⇄ 064	Zoom reset
		065 ⇄ 069	Reserved for future use
		070 ⇄ 074	Reset all
		075 ⇄ 109	Reserved for future use
		110 ⇄ 114	Fast Pan/Tilt speed
		115 ⇄ 119	Slow Pan/tilt speed
		120 ⇄ 124	Slow fan mode
		125 ⇄ 129	Full fan mode
		130 ⇄ 134	Auto fan mode
135 ⇄ 139	Fast dimmer mode		
140 ⇄ 144	Slow dimmer mode		
145 ⇄ 255	Reserved for future use		
20	Main Red	000 ⇄ 255	0–100%
21	Main Fine Red	000 ⇄ 255	0–100%
22	Main Green	000 ⇄ 255	0–100%
23	Main Fine Green	000 ⇄ 255	0–100%
24	Main Blue	000 ⇄ 255	0–100%
25	Main Fine Blue	000 ⇄ 255	0–100%
26	Main White	000 ⇄ 255	0–100%
27	Main Fine White	000 ⇄ 255	0–100%

Dual Control: Standard Movement Mode (21-channel)

Channel	Function	Value	Percent/Setting
1	Pan	000 ⇔ 255	0–100%
2	Pan Fine	000 ⇔ 255	0–100%
3	Tilt	000 ⇔ 255	0–100%
4	Tilt Fine	000 ⇔ 255	0–100%
5	Pan/Tilt Speed	000 ⇔ 255	Fast to slow
6	CTC	000	No function
		001 ⇔ 255	Color temperature, 2800–10000 K
7	Color Macro	000	No function
		001 ⇔ 255	Color macros
8	Gobo	000	No function
		001 ⇔ 255	Gobos (indexed)
9	LED Macro / Auto Program	000 ⇔ 015	No function
		016 ⇔ 135	LED macros
		136 ⇔ 255	Auto programs
10	LED Macro / Auto Program Speed	000 ⇔ 127	Auto speed, fast to slow
		128	Hold
		129 ⇔ 255	Auto speed, slow to fast
11	LED Built-in Delay	000 ⇔ 255	Fast to slow
12	Background Color	000	No function
		001 ⇔ 002	2700K R = 156 G = 118 B = 0 W = 63
		003 ⇔ 004	3200K R = 156 G = 141 B = 5 W = 89
		005 ⇔ 006	4200K R = 156 G = 141 B = 14 W = 255
		007 ⇔ 008	5600K R = 156 G = 207 B = 54 W = 255
		009 ⇔ 010	8000K R = 130 G = 255 B = 96 W = 255
		011	Blue R = 0 G = 0 B = 255 W = 0
		012 ⇔ 048	+ Green R = 0 G = 0–255 B = 255 W = 0
		049	Cyan R = 0 G = 255 B = 255 W = 0
		050 ⇔ 086	- Blue R = 0 G = 255 B = 255–0 W = 0
		087	Green R = 0 G = 255 B = 0 W = 0
		088 ⇔ 124	+ Red R = 0–255 G = 255 B = 0 W = 0
		125	Yellow R = 255 G = 255 B = 0 W = 0
		126 ⇔ 162	- Green R = 255 G = 255–0 B = 0 W = 0
		163	Red R = 255 G = 0 B = 0 W = 0
		164 ⇔ 200	+ Blue R = 255 G = 0 B = 0–255 W = 0
		201	Magenta R = 255 G = 0 B = 255 W = 0
		202 ⇔ 238	- Red R = 255–0 G = 0 B = 255 W = 0
		239	Blue R = 0 G = 0 B = 255 W = 0
240 ⇔ 247	Color fade, fast to slow		
248 ⇔ 255	Color snap, fast to slow		
13	Background Dimmer	000 ⇔ 255	0–100%
14	Main Dimmer	000 ⇔ 255	0–100%

## QUICK REFERENCE GUIDE



EN

Channel	Function	Value	Percent/Setting
15	Shutter	000 ⇄ 019	Off
		020 ⇄ 024	On
		025 ⇄ 064	Strobe, fast to slow
		065 ⇄ 069	On
		070 ⇄ 084	Strobe 100–0%, fast to slow
		085 ⇄ 089	On
		090 ⇄ 104	Strobe 0–100%, fast to slow
		105 ⇄ 109	On
		110 ⇄ 124	Random strobe, fast to slow
		125 ⇄ 129	On
		130 ⇄ 144	Random strobe 100–0%, fast to slow
		145 ⇄ 149	On
		150 ⇄ 164	Random strobe 0–100%, fast to slow
		165 ⇄ 169	On
		170 ⇄ 184	Pulse strobe, fast to slow
		185 ⇄ 189	On
		190 ⇄ 204	Random pulse strobe, fast to slow
205 ⇄ 209	On		
210 ⇄ 224	Strobe 0–100–0%, fast to slow		
225 ⇄ 229	On		
230 ⇄ 244	Random pulse strobe, fast to slow		
245 ⇄ 255	On		
16	Zoom	000 ⇄ 255	Wide to narrow
17	Control	000 ⇄ 009	No function
		010 ⇄ 014	Blackout on Pan/Tilt
		015 ⇄ 019	Reserved for future use
		020 ⇄ 024	RGBW color mixing mode
		025 ⇄ 029	CMY color mixing mode (R=C, G=M, B=Y)
		030 ⇄ 049	Reserved for future use
		050 ⇄ 054	Pan reset
		055 ⇄ 059	Tilt reset
		060 ⇄ 064	Zoom reset
		065 ⇄ 069	Reserved for future use
		070 ⇄ 074	Reset all
		075 ⇄ 109	Reserved for future use
		110 ⇄ 114	Fast Pan/Tilt speed
		115 ⇄ 119	Slow Pan/tilt speed
		120 ⇄ 124	Slow fan mode
		125 ⇄ 129	Full fan mode
		130 ⇄ 134	Auto fan mode
135 ⇄ 139	Fast dimmer mode		
140 ⇄ 144	Slow dimmer mode		
145 ⇄ 255	Reserved for future use		
18	Main Red	000 ⇄ 255	0–100%
19	Main Green	000 ⇄ 255	0–100%
20	Main Blue	000 ⇄ 255	0–100%
21	Main White	000 ⇄ 255	0–100%

**Dual Control: Basic Movement Mode (9-channel)**

Channel	Function	Value	Percent/Setting
1	Pan	000 ⇔ 255	0–100%
2	Pan Fine	000 ⇔ 255	0–100%
3	Tilt	000 ⇔ 255	0–100%
4	Tilt Fine	000 ⇔ 255	0–100%
5	Pan/Tilt Speed	000 ⇔ 255	Fast to slow
6	Main Dimmer	000 ⇔ 255	0–100%
7	Shutter	000 ⇔ 019	Off
		020 ⇔ 024	On
		025 ⇔ 064	Strobe, fast to slow
		065 ⇔ 069	On
		070 ⇔ 084	Strobe 100–0%, fast to slow
		085 ⇔ 089	On
		090 ⇔ 104	Strobe 0–100%, fast to slow
		105 ⇔ 109	On
		110 ⇔ 124	Random strobe, fast to slow
		125 ⇔ 129	On
		130 ⇔ 144	Random strobe 100–0%, fast to slow
		145 ⇔ 149	On
		150 ⇔ 164	Random strobe 0–100%, fast to slow
		165 ⇔ 169	On
		170 ⇔ 184	Pulse strobe, fast to slow
		185 ⇔ 189	On
190 ⇔ 204	Random pulse strobe, fast to slow		
205 ⇔ 209	On		
210 ⇔ 224	Strobe 0–100–0%, fast to slow		
225 ⇔ 229	On		
230 ⇔ 244	Random pulse strobe, fast to slow		
245 ⇔ 255	On		
8	Zoom	000 ⇔ 255	Wide to narrow
9	Control	000 ⇔ 009	No function
		010 ⇔ 014	Blackout on Pan/Tilt
		015 ⇔ 019	Reserved for future use
		020 ⇔ 024	RGBW color mixing mode
		025 ⇔ 029	CMY color mixing mode (R=C, G=M, B=Y)
		030 ⇔ 049	Reserved for future use
		050 ⇔ 054	Pan reset
		055 ⇔ 059	Tilt reset
		060 ⇔ 064	Zoom reset
		065 ⇔ 069	Reserved for future use
		070 ⇔ 074	Reset all
		075 ⇔ 109	Reserved for future use
		110 ⇔ 114	Fast Pan/Tilt speed
		115 ⇔ 119	Slow Pan/tilt speed
		120 ⇔ 124	Slow fan mode
		125 ⇔ 129	Full fan mode
		130 ⇔ 134	Auto fan mode
		135 ⇔ 139	Fast dimmer mode
140 ⇔ 144	Slow dimmer mode		
145 ⇔ 255	Reserved for future use		



**Dual Control Values (Pixels)**

**Dual Control: Advanced Pixels Mode (216-channel)**

Channel	Function	Value	Percent/Setting
1	Red 1	000 ⇄ 255	0–100%
2	Fine Red 1	000 ⇄ 255	0–100%
3	Green 1	000 ⇄ 255	0–100%
4	Fine Green 1	000 ⇄ 255	0–100%
5	Blue 1	000 ⇄ 255	0–100%
6	Fine Blue 1	000 ⇄ 255	0–100%
7	White 1	000 ⇄ 255	0–100%
8	Fine White 1	000 ⇄ 255	0–100%
9	Red 2	000 ⇄ 255	0–100%
10	Fine Red 2	000 ⇄ 255	0–100%
11	Green 2	000 ⇄ 255	0–100%
12	Fine Green 2	000 ⇄ 255	0–100%
13	Blue 2	000 ⇄ 255	0–100%
14	Fine Blue 2	000 ⇄ 255	0–100%
15	White 2	000 ⇄ 255	0–100%
16	Fine White 2	000 ⇄ 255	0–100%
17	Red 3	000 ⇄ 255	0–100%
18	Fine Red 3	000 ⇄ 255	0–100%
19	Green 3	000 ⇄ 255	0–100%
20	Fine Green 3	000 ⇄ 255	0–100%
21	Blue 3	000 ⇄ 255	0–100%
22	Fine Blue 3	000 ⇄ 255	0–100%
23	White 3	000 ⇄ 255	0–100%
24	Fine White 3	000 ⇄ 255	0–100%
25	Red 4	000 ⇄ 255	0–100%
26	Fine Red 4	000 ⇄ 255	0–100%
27	Green 4	000 ⇄ 255	0–100%
28	Fine Green 4	000 ⇄ 255	0–100%
29	Blue 4	000 ⇄ 255	0–100%
30	Fine Blue 4	000 ⇄ 255	0–100%
31	White 4	000 ⇄ 255	0–100%
32	Fine White 4	000 ⇄ 255	0–100%
33	Red 5	000 ⇄ 255	0–100%
34	Fine Red 5	000 ⇄ 255	0–100%
35	Green 5	000 ⇄ 255	0–100%
36	Fine Green 5	000 ⇄ 255	0–100%
37	Blue 5	000 ⇄ 255	0–100%
38	Fine Blue 5	000 ⇄ 255	0–100%
39	White 5	000 ⇄ 255	0–100%
40	Fine White 5	000 ⇄ 255	0–100%
41	Red 6	000 ⇄ 255	0–100%
42	Fine Red 6	000 ⇄ 255	0–100%
43	Green 6	000 ⇄ 255	0–100%
44	Fine Green 6	000 ⇄ 255	0–100%
45	Blue 6	000 ⇄ 255	0–100%
46	Fine Blue 6	000 ⇄ 255	0–100%
47	White 6	000 ⇄ 255	0–100%
48	Fine White 6	000 ⇄ 255	0–100%
49	Red 7	000 ⇄ 255	0–100%
50	Fine Red 7	000 ⇄ 255	0–100%
51	Green 7	000 ⇄ 255	0–100%
52	Fine Green 7	000 ⇄ 255	0–100%

Channel	Function	Value	Percent/Setting
53	Blue 7	000 ⇔ 255	0–100%
54	Fine Blue 7	000 ⇔ 255	0–100%
55	White 7	000 ⇔ 255	0–100%
56	Fine White 7	000 ⇔ 255	0–100%
57	Red 8	000 ⇔ 255	0–100%
58	Fine Red 8	000 ⇔ 255	0–100%
59	Green 8	000 ⇔ 255	0–100%
60	Fine Green 8	000 ⇔ 255	0–100%
61	Blue 8	000 ⇔ 255	0–100%
62	Fine Blue 8	000 ⇔ 255	0–100%
63	White 8	000 ⇔ 255	0–100%
64	Fine White 8	000 ⇔ 255	0–100%
65	Red 9	000 ⇔ 255	0–100%
66	Fine Red 9	000 ⇔ 255	0–100%
67	Green 9	000 ⇔ 255	0–100%
68	Fine Green 9	000 ⇔ 255	0–100%
69	Blue 9	000 ⇔ 255	0–100%
70	Fine Blue 9	000 ⇔ 255	0–100%
71	White 9	000 ⇔ 255	0–100%
72	Fine White 9	000 ⇔ 255	0–100%
73	Red 10	000 ⇔ 255	0–100%
74	Fine Red 10	000 ⇔ 255	0–100%
75	Green 10	000 ⇔ 255	0–100%
76	Fine Green 10	000 ⇔ 255	0–100%
77	Blue 10	000 ⇔ 255	0–100%
78	Fine Blue 10	000 ⇔ 255	0–100%
79	White 10	000 ⇔ 255	0–100%
80	Fine White 10	000 ⇔ 255	0–100%
81	Red 11	000 ⇔ 255	0–100%
82	Fine Red 11	000 ⇔ 255	0–100%
83	Green 11	000 ⇔ 255	0–100%
84	Fine Green 11	000 ⇔ 255	0–100%
85	Blue 11	000 ⇔ 255	0–100%
86	Fine Blue 11	000 ⇔ 255	0–100%
87	White 11	000 ⇔ 255	0–100%
88	Fine White 11	000 ⇔ 255	0–100%
89	Red 12	000 ⇔ 255	0–100%
90	Fine Red 12	000 ⇔ 255	0–100%
91	Green 12	000 ⇔ 255	0–100%
92	Fine Green 12	000 ⇔ 255	0–100%
93	Blue 12	000 ⇔ 255	0–100%
94	Fine Blue 12	000 ⇔ 255	0–100%
95	White 12	000 ⇔ 255	0–100%
96	Fine White 12	000 ⇔ 255	0–100%
97	Red 13	000 ⇔ 255	0–100%
98	Fine Red 13	000 ⇔ 255	0–100%
99	Green 13	000 ⇔ 255	0–100%
100	Fine Green 13	000 ⇔ 255	0–100%
101	Blue 13	000 ⇔ 255	0–100%
102	Fine Blue 13	000 ⇔ 255	0–100%
103	White 13	000 ⇔ 255	0–100%
104	Fine White 13	000 ⇔ 255	0–100%
105	Red 14	000 ⇔ 255	0–100%
106	Fine Red 14	000 ⇔ 255	0–100%
107	Green 14	000 ⇔ 255	0–100%

## QUICK REFERENCE GUIDE



EN

Channel	Function	Value	Percent/Setting
108	Fine Green 14	000 ⇄ 255	0–100%
109	Blue 14	000 ⇄ 255	0–100%
110	Fine Blue 14	000 ⇄ 255	0–100%
111	White 14	000 ⇄ 255	0–100%
112	Fine White 14	000 ⇄ 255	0–100%
113	Red 15	000 ⇄ 255	0–100%
114	Fine Red 15	000 ⇄ 255	0–100%
115	Green 15	000 ⇄ 255	0–100%
116	Fine Green 15	000 ⇄ 255	0–100%
117	Blue 15	000 ⇄ 255	0–100%
118	Fine Blue 15	000 ⇄ 255	0–100%
119	White 15	000 ⇄ 255	0–100%
120	Fine White 15	000 ⇄ 255	0–100%
121	Red 16	000 ⇄ 255	0–100%
122	Fine Red 16	000 ⇄ 255	0–100%
123	Green 16	000 ⇄ 255	0–100%
124	Fine Green 16	000 ⇄ 255	0–100%
125	Blue 16	000 ⇄ 255	0–100%
126	Fine Blue 16	000 ⇄ 255	0–100%
127	White 16	000 ⇄ 255	0–100%
128	Fine White 16	000 ⇄ 255	0–100%
129	Red 17	000 ⇄ 255	0–100%
130	Fine Red 17	000 ⇄ 255	0–100%
131	Green 17	000 ⇄ 255	0–100%
132	Fine Green 17	000 ⇄ 255	0–100%
133	Blue 17	000 ⇄ 255	0–100%
134	Fine Blue 17	000 ⇄ 255	0–100%
135	White 17	000 ⇄ 255	0–100%
136	Fine White 17	000 ⇄ 255	0–100%
137	Red 18	000 ⇄ 255	0–100%
138	Fine Red 18	000 ⇄ 255	0–100%
139	Green 18	000 ⇄ 255	0–100%
140	Fine Green 18	000 ⇄ 255	0–100%
141	Blue 18	000 ⇄ 255	0–100%
142	Fine Blue 18	000 ⇄ 255	0–100%
143	White 18	000 ⇄ 255	0–100%
144	Fine White 18	000 ⇄ 255	0–100%
145	Red 19	000 ⇄ 255	0–100%
146	Fine Red 19	000 ⇄ 255	0–100%
147	Green 19	000 ⇄ 255	0–100%
148	Fine Green 19	000 ⇄ 255	0–100%
149	Blue 19	000 ⇄ 255	0–100%
150	Fine Blue 19	000 ⇄ 255	0–100%
151	White 19	000 ⇄ 255	0–100%
152	Fine White 19	000 ⇄ 255	0–100%
153	Red 20	000 ⇄ 255	0–100%
154	Fine Red 20	000 ⇄ 255	0–100%
155	Green 20	000 ⇄ 255	0–100%
156	Fine Green 20	000 ⇄ 255	0–100%
157	Blue 20	000 ⇄ 255	0–100%
158	Fine Blue 20	000 ⇄ 255	0–100%
159	White 20	000 ⇄ 255	0–100%
160	Fine White 20	000 ⇄ 255	0–100%
161	Red 21	000 ⇄ 255	0–100%
162	Fine Red 21	000 ⇄ 255	0–100%

Channel	Function	Value	Percent/Setting
163	Green 21	000 ⇔ 255	0–100%
164	Fine Green 21	000 ⇔ 255	0–100%
165	Blue 21	000 ⇔ 255	0–100%
166	Fine Blue 21	000 ⇔ 255	0–100%
167	White 21	000 ⇔ 255	0–100%
168	Fine White 21	000 ⇔ 255	0–100%
169	Red 22	000 ⇔ 255	0–100%
170	Fine Red 22	000 ⇔ 255	0–100%
171	Green 22	000 ⇔ 255	0–100%
172	Fine Green 22	000 ⇔ 255	0–100%
173	Blue 22	000 ⇔ 255	0–100%
174	Fine Blue 22	000 ⇔ 255	0–100%
175	White 22	000 ⇔ 255	0–100%
176	Fine White 22	000 ⇔ 255	0–100%
177	Red 23	000 ⇔ 255	0–100%
178	Fine Red 23	000 ⇔ 255	0–100%
179	Green 23	000 ⇔ 255	0–100%
180	Fine Green 23	000 ⇔ 255	0–100%
181	Blue 23	000 ⇔ 255	0–100%
182	Fine Blue 23	000 ⇔ 255	0–100%
183	White 23	000 ⇔ 255	0–100%
184	Fine White 23	000 ⇔ 255	0–100%
185	Red 24	000 ⇔ 255	0–100%
186	Fine Red 24	000 ⇔ 255	0–100%
187	Green 24	000 ⇔ 255	0–100%
188	Fine Green 24	000 ⇔ 255	0–100%
189	Blue 24	000 ⇔ 255	0–100%
190	Fine Blue 24	000 ⇔ 255	0–100%
191	White 24	000 ⇔ 255	0–100%
192	Fine White 24	000 ⇔ 255	0–100%
193	Red 25	000 ⇔ 255	0–100%
194	Fine Red 25	000 ⇔ 255	0–100%
195	Green 25	000 ⇔ 255	0–100%
196	Fine Green 25	000 ⇔ 255	0–100%
197	Blue 25	000 ⇔ 255	0–100%
198	Fine Blue 25	000 ⇔ 255	0–100%
199	White 25	000 ⇔ 255	0–100%
200	Fine White 25	000 ⇔ 255	0–100%
201	Red 26	000 ⇔ 255	0–100%
202	Fine Red 26	000 ⇔ 255	0–100%
203	Green 26	000 ⇔ 255	0–100%
204	Fine Green 26	000 ⇔ 255	0–100%
205	Blue 26	000 ⇔ 255	0–100%
206	Fine Blue 26	000 ⇔ 255	0–100%
207	White 26	000 ⇔ 255	0–100%
208	Fine White 26	000 ⇔ 255	0–100%
209	Red 27	000 ⇔ 255	0–100%
210	Fine Red 27	000 ⇔ 255	0–100%
211	Green 27	000 ⇔ 255	0–100%
212	Fine Green 27	000 ⇔ 255	0–100%
213	Blue 27	000 ⇔ 255	0–100%
214	Fine Blue 27	000 ⇔ 255	0–100%
215	White 27	000 ⇔ 255	0–100%
216	Fine White 27	000 ⇔ 255	0–100%

## QUICK REFERENCE GUIDE



EN

### Dual Control: Standard Pixels Mode (108-channel)

Channel	Function	Value	Percent/Setting
1	Red 1	000 ⇄ 255	0–100%
2	Green 1	000 ⇄ 255	0–100%
3	Blue 1	000 ⇄ 255	0–100%
4	White 1	000 ⇄ 255	0–100%
5	Red 2	000 ⇄ 255	0–100%
6	Green 2	000 ⇄ 255	0–100%
7	Blue 2	000 ⇄ 255	0–100%
8	White 2	000 ⇄ 255	0–100%
9	Red 3	000 ⇄ 255	0–100%
10	Green 3	000 ⇄ 255	0–100%
11	Blue 3	000 ⇄ 255	0–100%
12	White 3	000 ⇄ 255	0–100%
13	Red 4	000 ⇄ 255	0–100%
14	Green 4	000 ⇄ 255	0–100%
15	Blue 4	000 ⇄ 255	0–100%
16	White 4	000 ⇄ 255	0–100%
17	Red 5	000 ⇄ 255	0–100%
18	Green 5	000 ⇄ 255	0–100%
19	Blue 5	000 ⇄ 255	0–100%
20	White 5	000 ⇄ 255	0–100%
21	Red 6	000 ⇄ 255	0–100%
22	Green 6	000 ⇄ 255	0–100%
23	Blue 6	000 ⇄ 255	0–100%
24	White 6	000 ⇄ 255	0–100%
25	Red 7	000 ⇄ 255	0–100%
26	Green 7	000 ⇄ 255	0–100%
27	Blue 7	000 ⇄ 255	0–100%
28	White 7	000 ⇄ 255	0–100%
29	Red 8	000 ⇄ 255	0–100%
30	Green 8	000 ⇄ 255	0–100%
31	Blue 8	000 ⇄ 255	0–100%
32	White 8	000 ⇄ 255	0–100%
33	Red 9	000 ⇄ 255	0–100%
34	Green 9	000 ⇄ 255	0–100%
35	Blue 9	000 ⇄ 255	0–100%
36	White 9	000 ⇄ 255	0–100%
37	Red 10	000 ⇄ 255	0–100%
38	Green 10	000 ⇄ 255	0–100%
39	Blue 10	000 ⇄ 255	0–100%
40	White 10	000 ⇄ 255	0–100%
41	Red 11	000 ⇄ 255	0–100%
42	Green 11	000 ⇄ 255	0–100%
43	Blue 11	000 ⇄ 255	0–100%
44	White 11	000 ⇄ 255	0–100%
45	Red 12	000 ⇄ 255	0–100%
46	Green 12	000 ⇄ 255	0–100%
47	Blue 12	000 ⇄ 255	0–100%
48	White 12	000 ⇄ 255	0–100%
49	Red 13	000 ⇄ 255	0–100%
50	Green 13	000 ⇄ 255	0–100%
51	Blue 13	000 ⇄ 255	0–100%
52	White 13	000 ⇄ 255	0–100%
53	Red 14	000 ⇄ 255	0–100%
54	Green 14	000 ⇄ 255	0–100%

Channel	Function	Value	Percent/Setting
55	Blue 14	000 ⇔ 255	0–100%
56	White 14	000 ⇔ 255	0–100%
57	Red 15	000 ⇔ 255	0–100%
58	Green 15	000 ⇔ 255	0–100%
59	Blue 15	000 ⇔ 255	0–100%
60	White 15	000 ⇔ 255	0–100%
61	Red 16	000 ⇔ 255	0–100%
62	Green 16	000 ⇔ 255	0–100%
63	Blue 16	000 ⇔ 255	0–100%
64	White 16	000 ⇔ 255	0–100%
65	Red 17	000 ⇔ 255	0–100%
66	Green 17	000 ⇔ 255	0–100%
67	Blue 17	000 ⇔ 255	0–100%
68	White 17	000 ⇔ 255	0–100%
69	Red 18	000 ⇔ 255	0–100%
70	Green 18	000 ⇔ 255	0–100%
71	Blue 18	000 ⇔ 255	0–100%
72	White 18	000 ⇔ 255	0–100%
73	Red 19	000 ⇔ 255	0–100%
74	Green 19	000 ⇔ 255	0–100%
75	Blue 19	000 ⇔ 255	0–100%
76	White 19	000 ⇔ 255	0–100%
77	Red 20	000 ⇔ 255	0–100%
78	Green 20	000 ⇔ 255	0–100%
79	Blue 20	000 ⇔ 255	0–100%
80	White 20	000 ⇔ 255	0–100%
81	Red 21	000 ⇔ 255	0–100%
82	Green 21	000 ⇔ 255	0–100%
83	Blue 21	000 ⇔ 255	0–100%
84	White 21	000 ⇔ 255	0–100%
85	Red 22	000 ⇔ 255	0–100%
86	Green 22	000 ⇔ 255	0–100%
87	Blue 22	000 ⇔ 255	0–100%
88	White 22	000 ⇔ 255	0–100%
89	Red 23	000 ⇔ 255	0–100%
90	Green 23	000 ⇔ 255	0–100%
91	Blue 23	000 ⇔ 255	0–100%
92	White 23	000 ⇔ 255	0–100%
93	Red 24	000 ⇔ 255	0–100%
94	Green 24	000 ⇔ 255	0–100%
95	Blue 24	000 ⇔ 255	0–100%
96	White 24	000 ⇔ 255	0–100%
97	Red 25	000 ⇔ 255	0–100%
98	Green 25	000 ⇔ 255	0–100%
99	Blue 25	000 ⇔ 255	0–100%
100	White 25	000 ⇔ 255	0–100%
101	Red 26	000 ⇔ 255	0–100%
102	Green 26	000 ⇔ 255	0–100%
103	Blue 26	000 ⇔ 255	0–100%
104	White 26	000 ⇔ 255	0–100%
105	Red 27	000 ⇔ 255	0–100%
106	Green 27	000 ⇔ 255	0–100%
107	Blue 27	000 ⇔ 255	0–100%
108	White 27	000 ⇔ 255	0–100%

## QUICK REFERENCE GUIDE



EN

### Dual Control: Basic Pixels Mode (81-channel)

Channel	Function	Value	Percent/Setting
1	Red 1	000 ⇄ 255	0–100%
2	Green 1	000 ⇄ 255	0–100%
3	Blue 1	000 ⇄ 255	0–100%
4	Red 2	000 ⇄ 255	0–100%
5	Green 2	000 ⇄ 255	0–100%
6	Blue 2	000 ⇄ 255	0–100%
7	Red 3	000 ⇄ 255	0–100%
8	Green 3	000 ⇄ 255	0–100%
9	Blue 3	000 ⇄ 255	0–100%
10	Red 4	000 ⇄ 255	0–100%
11	Green 4	000 ⇄ 255	0–100%
12	Blue 4	000 ⇄ 255	0–100%
13	Red 5	000 ⇄ 255	0–100%
14	Green 5	000 ⇄ 255	0–100%
15	Blue 5	000 ⇄ 255	0–100%
16	Red 6	000 ⇄ 255	0–100%
17	Green 6	000 ⇄ 255	0–100%
18	Blue 6	000 ⇄ 255	0–100%
19	Red 7	000 ⇄ 255	0–100%
20	Green 7	000 ⇄ 255	0–100%
21	Blue 7	000 ⇄ 255	0–100%
22	Red 8	000 ⇄ 255	0–100%
23	Green 8	000 ⇄ 255	0–100%
24	Blue 8	000 ⇄ 255	0–100%
25	Red 9	000 ⇄ 255	0–100%
26	Green 9	000 ⇄ 255	0–100%
27	Blue 9	000 ⇄ 255	0–100%
28	Red 10	000 ⇄ 255	0–100%
29	Green 10	000 ⇄ 255	0–100%
30	Blue 10	000 ⇄ 255	0–100%
31	Red 11	000 ⇄ 255	0–100%
32	Green 11	000 ⇄ 255	0–100%
33	Blue 11	000 ⇄ 255	0–100%
34	Red 12	000 ⇄ 255	0–100%
35	Green 12	000 ⇄ 255	0–100%
36	Blue 12	000 ⇄ 255	0–100%
37	Red 13	000 ⇄ 255	0–100%
38	Green 13	000 ⇄ 255	0–100%
39	Blue 13	000 ⇄ 255	0–100%
40	Red 14	000 ⇄ 255	0–100%
41	Green 14	000 ⇄ 255	0–100%
42	Blue 14	000 ⇄ 255	0–100%
43	Red 15	000 ⇄ 255	0–100%
44	Green 15	000 ⇄ 255	0–100%
45	Blue 15	000 ⇄ 255	0–100%
46	Red 16	000 ⇄ 255	0–100%
47	Green 16	000 ⇄ 255	0–100%
48	Blue 16	000 ⇄ 255	0–100%
49	Red 17	000 ⇄ 255	0–100%
50	Green 17	000 ⇄ 255	0–100%
51	Blue 17	000 ⇄ 255	0–100%
52	Red 18	000 ⇄ 255	0–100%
53	Green 18	000 ⇄ 255	0–100%
54	Blue 18	000 ⇄ 255	0–100%



Channel	Function	Value	Percent/Setting
55	Red 19	000 ⇔ 255	0–100%
56	Green 19	000 ⇔ 255	0–100%
57	Blue 19	000 ⇔ 255	0–100%
58	Red 20	000 ⇔ 255	0–100%
59	Green 20	000 ⇔ 255	0–100%
60	Blue 20	000 ⇔ 255	0–100%
61	Red 21	000 ⇔ 255	0–100%
62	Green 21	000 ⇔ 255	0–100%
63	Blue 21	000 ⇔ 255	0–100%
64	Red 22	000 ⇔ 255	0–100%
65	Green 22	000 ⇔ 255	0–100%
66	Blue 22	000 ⇔ 255	0–100%
67	Red 23	000 ⇔ 255	0–100%
68	Green 23	000 ⇔ 255	0–100%
69	Blue 23	000 ⇔ 255	0–100%
70	Red 24	000 ⇔ 255	0–100%
71	Green 24	000 ⇔ 255	0–100%
72	Blue 24	000 ⇔ 255	0–100%
73	Red 25	000 ⇔ 255	0–100%
74	Green 25	000 ⇔ 255	0–100%
75	Blue 25	000 ⇔ 255	0–100%
76	Red 26	000 ⇔ 255	0–100%
77	Green 26	000 ⇔ 255	0–100%
78	Blue 26	000 ⇔ 255	0–100%
79	Red 27	000 ⇔ 255	0–100%
80	Green 27	000 ⇔ 255	0–100%
81	Blue 27	000 ⇔ 255	0–100%

## Acerca de esta Guía

La Guía de Referencia Rápida (GRR) del Maverick MK3 Wash contiene información básica sobre el producto, como conexión, montaje, opciones de menú y valores DMX. Descargue el Manual de Usuario de [www.chauvetprofessional.com](http://www.chauvetprofessional.com) para información más detallada.

## Exención de Responsabilidad

La información y especificaciones contenidas en esta GRR están sujetas a cambio sin previo aviso.

## Notas de Seguridad

Estas notas de seguridad incluyen información importante sobre el montaje, uso y mantenimiento.

- NO abra este producto. No contiene piezas reparables por el usuario.
- NO mire a la fuente de luz cuando el producto esté encendido.
- Para evitar un desgaste innecesario y alargar su vida útil, desconecte complemente el producto de la alimentación, mediante el interruptor o desenchufándolo, durante los periodos en los que no se use.
- CUIDADO: cuando transfiera el producto desde ambientes con temperatura extrema (p. ej., del remolque frío de un camión a una sala de baile con calor y humedad), puede formarse condensación en la electrónica interna del producto. Para evitar que se produzca una avería, deje que el producto se aclimate completamente al ambiente antes de conectar la alimentación.
- CUIDADO: La carcasa de este producto puede estar caliente cuando las luces están en funcionamiento.
- Monte este producto en una ubicación con ventilación adecuada, al menos a 20" (50 cm) de superficies adyacentes.
- NO deje ningún material inflamable a menos de 50 cm de este producto mientras esté funcionando o conectado a la alimentación.
- USE un cable de seguridad cuando monte este producto en lo alto.
- NO ponga en funcionamiento este producto en el exterior o en cualquier ubicación en la que el polvo, calor excesivo, agua o humedad puedan afectarlo. (IP20)
- NO ponga en funcionamiento este producto si sospecha que la carcasa, lentes o cables están dañados.
- NO conecte este producto a un atenuador o reostato.
- Conecte este producto SOLO a un circuito con toma de tierra y protegido.
- Use SOLAMENTE los soportes de montaje o las asas para mover este producto. NO lo transporte agarrando por la cabeza móvil.
- En caso de un problema grave de funcionamiento, deje de usarlo inmediatamente.
- La temperatura ambiente máxima es de 113 °F (45 °C). No haga funcionar este producto a temperaturas más altas.

## Contacto

Fuera de EE.UU, Reino Unido, Irlanda, México o Benelux, póngase en contacto con su distribuidor para solicitar asistencia o devolver el producto. Visite [www.chauvetprofessional.com](http://www.chauvetprofessional.com) para información de contacto.

## Qué va Incluido

- Maverick MK3 Wash
- Cable de alimentación Seetronic Powerkon
- 2 soportes Omega con material de montaje
- Tarjeta de Garantía
- Guía de Referencia Rápida

## Corriente Alterna

Este producto tiene una fuente de alimentación con detección automática que puede funcionar con un rango de tensión de entrada de 100–240 VCA, 50/60 Hz.

## Enchufe CA

Conexión	Cable (EE.UU)	Cable (Europa)	Color del Tornillo
CA Cargado	Negro	Marrón	Amarillo/Bronce
CA Neutro	Blanco	Azul	Plata
CA Tierra	Verde/Amarillo	Verde/Amarillo	Verde



**Para evitar un desgaste innecesario y alargar su vida útil, desconecte complemente el producto de la alimentación, mediante el interruptor o desenchufándolo, durante los periodos en los que no se use.**

## Sustitución del Fusible

1. Desconecte este producto de la alimentación.
2. Utilizando un destornillador plano, desatornille la tapa del portafusibles de la carcasa.
3. Quite el fusible fundido del portafusibles y sustitúyalo con uno nuevo del mismo tipo y categoría.
4. Vuelva a atornillar la tapa del portafusibles en su sitio y conecte de nuevo la alimentación.

## Conexiones de señal

Puede enlazar el Maverick MK3 Wash a un controlador o software controlador usando una conexión DMX, una conexión Ethernet o ambas. Si está usando otros productos compatibles con Art-Net™, sACN o Kling-Netcon, el Maverick MK3 Wash puede controlar cada uno individualmente en una sola red. Consulte el Manual de usuario para obtener información sobre cómo conectar y configurar el producto para estas señales.

## Personalidades de control

El Maverick MK3 Wash utiliza DMX, Art-Net™, sACN, WDMX y Kling-Net para sus personalidades de control:

Single Control	Dual Control Movement	Dual Control Pixels
<b>Basic</b> (21-canal)	<b>Basic</b> (9-canal)	<b>Basic</b> (81-canal)
<b>Standard</b> (129-canal)	<b>Standard</b> (21-canal)	<b>Standard</b> (108-canal)
<b>Advanced</b> (243-canal)	<b>Advanced</b> (27-canal)	<b>Advanced</b> (216-canal)
<b>Tour</b> (297-canal)	Utiliza DMX, Art-Net™ o sACN	Utiliza DMX, Art-Net™, sACN o Kling-Net
Utiliza DMX, Art-Net™, sACN o WDMX		



En el modo “Dual Control”, el protocolo de “Movement” y el protocolo de “Pixels” no pueden ser el mismo.

## Conexión DMX

El Maverick MK3 Wash funcionará con un controlador DMX usando una conexión de datos DMX de 3 o 5 pines. Hay un Manual DMX disponible en [www.chauvetprofessional.com](http://www.chauvetprofessional.com).

## Conexión Art-Net™

Art-Net™ es un protocolo Ethernet que utiliza TCP/IP para transferir gran cantidad de datos DMX512 usando una conexión etherCON RJ45 sobre una red de gran tamaño. Hay disponible un documento sobre el protocolo Art-Net™ desde [www.chauvetprofessional.com](http://www.chauvetprofessional.com). Chauvet Professional recomienda la utilización de modo Unicast para mejores resultados.

Art-Net™ diseñado y copyright por Artistic Licence Holdings Ltd.

## Conexión sACN

También conocido como ANSI E1.31, el streaming ACN es un protocolo Ethernet que usa las capas y formato de Architecture for Control Networks (arquitectura para redes de control) para transportar datos DMX512 sobre IP o cualquier otra red compatible con ACN. El mantenimiento de ACN corre a cargo de la Professional Lighting and Sound Association (Asociación de Sonido e Iluminación Profesional, PLASA).

## Conexión Kling-Net

Kling-Net es un protocolo de red que permite la autoconfiguración de los dispositivos de imagen usando una conexión Ethernet etherCON RJ45. Consulte el manual del software ArKaos para instrucciones detalladas sobre la programación de este producto.



Para un funcionamiento fluido, ArKaos Kling-Net precisa una tarjeta Ethernet a gigabit (1000 Mbps) y un router de red.



ArKaos Kling-Net solo ejecutará los modos Standard Píxels o Basic Píxels.

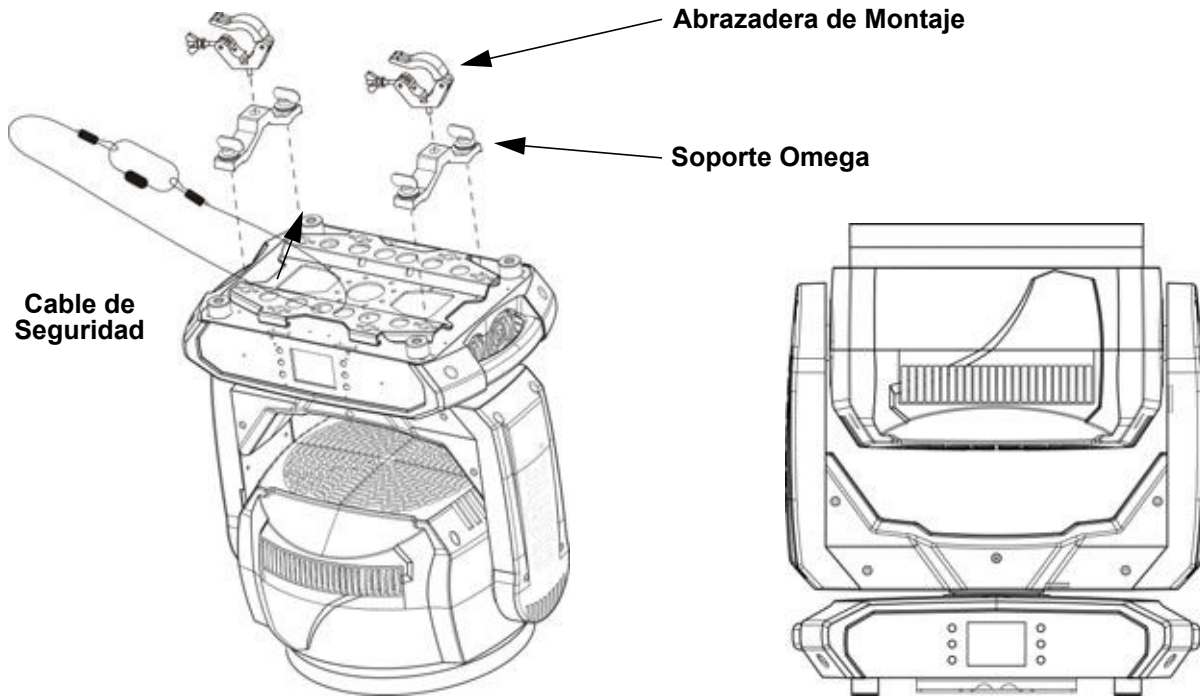
## RDM (gestión remota del dispositivo)

Remote Device Management (gestión remota del dispositivo) o RDM, es un estándar que permite a los dispositivos con capacidad DMX una comunicación bidireccional por un cableado DMX existente. El Maverick MK3 Wash admite protocolo RDM, que posibilita información para supervisar la temperatura y cambiar opciones del menú. Descargue el manual de usuario de [www.chauvetprofessional.com](http://www.chauvetprofessional.com) para una información más detallada.

## Montaje

Antes de montar este producto, lea las [Notas de Seguridad](#). Utilice al menos dos puntos de montaje por producto. Asegúrese de que las abrazaderas de montaje son capaces de soportar el peso del producto. Para nuestra línea Chauvet de abrazaderas de montaje, visite <http://trusst.com/products>.

### Diagrama de Montaje



### Montaje en Altura

### Montaje en el Suelo

## Panel de control con pantalla táctil

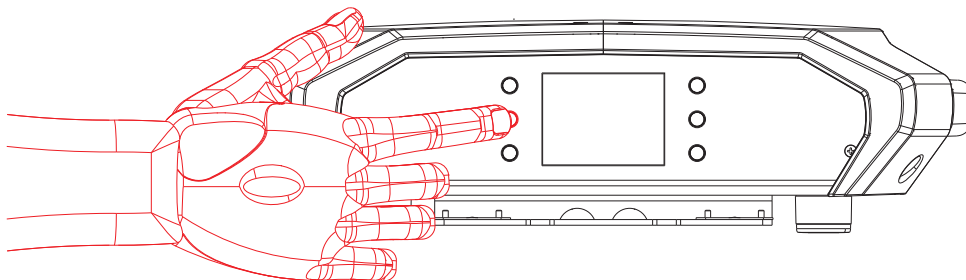
El Maverick MK3 Wash dispone de una pantalla táctil y de 6 botones de control. La pantalla táctil se puede bloquear y calibrar a través de las opciones de **Setup** (configuración) en el menú.

### Descripción del Panel de Control

Botón	Función
< ↑ >	Navega hacia arriba por la lista de menú o aumenta el valor numérico cuando está en una función
< ≡ >	Sale del menú o función actual
< ↓ >	Navega hacia abajo por la lista de menú o disminuye el valor numérico cuando está en una función
< ← >	Navega hacia la izquierda por la lista de menú
< ↶ >	Habilita el menú actualmente en pantalla o configura el valor seleccionado actualmente dentro de la función seleccionada
< → >	Navega hacia la derecha por la lista de menú

## Pantalla alimentada con batería

Pulse y mantenga pulsado hasta que aparezca la pantalla de menú (aprox. 15 s).



Mapa de Menú

Niveles de Programación				Descripción	
<b>Control Settings</b>				<b>Control Settings Nivel Principal</b>	
<b>Single Control</b>	<b>DMX</b>	<b>Personality</b>	<b>Basic</b>	Configura la personalidad DMX (vea <a href="#">Personalidades de control</a> )	
			<b>Standard</b>		
			<b>Advanced</b>		
			<b>Tour</b>		
	<b>ArtNet</b>	<b>Personality</b>	<b>Basic</b>	Configura la personalidad Art-Net™ (vea <a href="#">Personalidades de control</a> )	
			<b>Standard</b>		
			<b>Advanced</b>		
			<b>Tour</b>		
	<b>sACN</b>	<b>Personality</b>	<b>Basic</b>	Configura la personalidad sACN (vea <a href="#">Personalidades de control</a> )	
			<b>Standard</b>		
			<b>Advanced</b>		
			<b>Tour</b>		
	<b>WDMX</b>	<b>Personality</b>	<b>Basic</b>	Configura la personalidad WDMX (vea <a href="#">Personalidades de control</a> )	
			<b>Standard</b>		
			<b>Advanced</b>		
			<b>Tour</b>		
<b>Control Settings</b>	<b>Movement</b>	<b>DMX</b>	<b>Basic</b>	Configura la personalidad DMX (vea <a href="#">Personalidades de control</a> )	
			<b>Standard</b>		
			<b>Advanced</b>		
			<b>Tour</b>		
		<b>ArtNet</b>	<b>Personality</b>	<b>Basic</b>	Configura la personalidad Art-Net™ (vea <a href="#">Personalidades de control</a> )
				<b>Standard</b>	
				<b>Advanced</b>	
				<b>Tour</b>	
		<b>sACN</b>	<b>Personality</b>	<b>Basic</b>	Configura la personalidad sACN (vea <a href="#">Personalidades de control</a> )
				<b>Standard</b>	
				<b>Advanced</b>	
				<b>Tour</b>	
	<b>Dual Control</b>	<b>Pixels</b>	<b>DMX</b>	<b>Basic</b>	Configura la personalidad DMX (vea <a href="#">Personalidades de control</a> )
				<b>Standard</b>	
				<b>Advanced</b>	
				<b>Tour</b>	
<b>ArtNet</b>	<b>Personality</b>		<b>Basic</b>	Configura la personalidad Art-Net™ (vea <a href="#">Personalidades de control</a> )	
			<b>Standard</b>		
			<b>Advanced</b>		
			<b>Tour</b>		
<b>sACN</b>	<b>Personality</b>		<b>Basic</b>	Configura la personalidad sACN (vea <a href="#">Personalidades de control</a> )	
			<b>Standard</b>		
			<b>Advanced</b>		
			<b>Tour</b>		
<b>KlingNet</b>	<b>Personality</b>	<b>Basic</b>	Configura la personalidad Kling-Net (vea <a href="#">Personalidades de control</a> )		
		<b>Standard</b>			
		<b>Advanced</b>			
		<b>Tour</b>			

Niveles de Programación			Descripción	
<b>Test Mode</b>			<b>Test Mode Nivel Principal</b>	
<b>Test Mode</b>	<b>Auto Test</b>		Prueba automática de todas las funciones	
	<b>Manual Test</b>	<b>Pan</b>	<b>000-255</b>	Controlar y probar todas las funciones a través del panel de control
		<b>Tilt</b>		
		<b>P/T Speed</b>		
		<b>Red</b>		
		<b>Green</b>		
		<b>Blue</b>		
		<b>White</b>		
		<b>CTC</b>		
		<b>Color</b>		
		<b>Pattern</b>		
		<b>LED Macro</b>		
		<b>LED Ma. Speed</b>		
		<b>LED Ma. Fade</b>		
		<b>Background</b>		
		<b>Background Dim.</b>		
		<b>Dimmer</b>		
<b>Shutter</b>				
<b>Function</b>				
<b>Zoom</b>				
<b>Setup</b>			<b>Setup Nivel Principal</b>	
<b>Network Settings</b>	<b>IP Mode</b>	<b>Manual</b>	Configurar la dirección IP manualmente	
		<b>DHCP</b>	La red configura la dirección IP	
		<b>Static</b>	El producto configura la dirección IP	
	<b>IP</b>	-----	Configurar la dirección IP en modo Manual	
	<b>SubMask</b>	-----	Configurar la máscara de subred en modo Manual	
<b>Pan Reverse</b>	<b>NO</b>		Desplazamiento lateral normal	
	<b>YES</b>		Desplazamiento lateral inversa	
<b>Tilt Reverse</b>	<b>NO</b>		Inclinación normal	
	<b>YES</b>		Inclinación inversa	
<b>Zoom Reverse</b>	<b>NO</b>		Zoom normal	
	<b>YES</b>		Zoom invertido	
<b>Screen Reverse</b>	<b>NO</b>		Pantalla normal	
	<b>YES</b>		Pantalla inversa	
	<b>AUTO</b>		Orientación de pantalla automático	
<b>Pan Angle</b>	<b>540</b>		Rango de desplazamiento lateral: 540°	
	<b>360</b>		Rango de desplazamiento lateral: 360°	
	<b>180</b>		Rango de desplazamiento lateral: 180°	
<b>Tilt Angle</b>	<b>540</b>		Rango de inclinación: 540°	
	<b>270</b>		Rango de inclinación: 270°	
	<b>180</b>		Rango de inclinación: 180°	
<b>BL. O. P/T Move</b>	<b>NO</b>		No blackout mientras P/T	
	<b>YES</b>		Blackout mientras P/T	
<b>Calibration</b>	<b>NO</b>		Mantener la configuración actual	
	<b>YES</b>		Calibrar la pantalla táctil	
<b>Touchscreen Lock</b>	<b>NO</b>		La pantalla responden al toque	
	<b>YES</b>		La pantalla no responde al toque	
<b>Lock Screen</b>	<b>NO</b>		Bloqueo los botones y pantalla táctil	
	<b>YES</b>		Contraseña: 0920	
<b>Swap XY</b>	<b>NO</b>		No intercambiar panorámica e inclinación	
	<b>YES</b>		Panorámica controla inclinación, y viceversa	

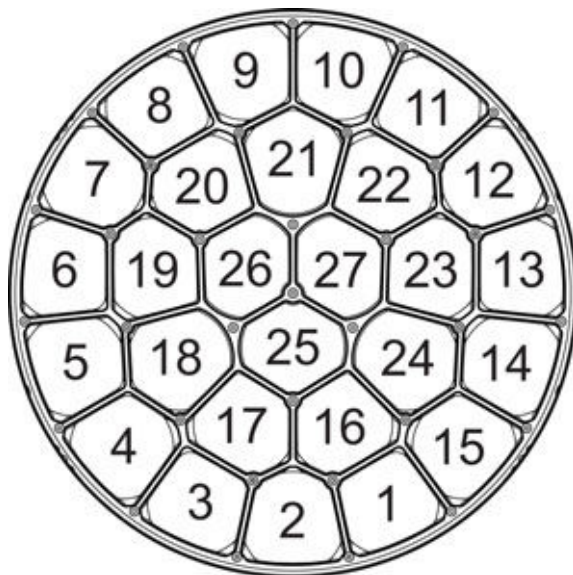
Niveles de Programación		Descripción	
<b>Setup (cont.)</b>		<b>Setup Nivel Principal (cont.)</b>	
<b>XY Mode</b>	<b>Slow</b>	Panorámica e inclinación lentas	
	<b>Fast</b>	Panorámica e inclinación rápidas	
<b>WDMX Reset</b>	<b>NO</b>	No restablecer WDMX	
	<b>YES</b>	Restablecer WDMX	
<b>Backlight Timer</b>	<b>30S</b>	La pantalla se apaga a los 30 segundos	
	<b>1M</b>	La pantalla se apaga al cabo de 1 minuto	
	<b>5M</b>	La pantalla se apaga al cabo de 5 minutos	
	<b>ON</b>	La pantalla permanece encendida	
<b>Loss of Data</b>	<b>Hold</b>	Mantiene la última señal recibida	
	<b>Close</b>	Pone el dispositivo en blackout	
<b>Fans</b>	<b>Auto</b>	Velocidad del ventilador según la temperatura del producto	
	<b>Full</b>	Velocidad del ventilador siempre alta	
	<b>ECO</b>	Modo silencioso	
<b>C Mixing Mode</b>	<b>RGBW</b>	Modo RGBW	
	<b>CMY</b>	Modo CMY (R=C, G=M, B=Y)	
<b>Dimmer Curve</b>	<b>Linear</b>	Configura la curva del atenuador	
	<b>Square</b>		
	<b>I Squa</b>		
	<b>SCurve</b>		
<b>Dimmer Speed</b>	<b>Smooth</b>	Cambia la velocidad del atenuador	
	<b>Fast</b>		
<b>PWM Option</b>	<b>600Hz</b>	Selecciona la frecuencia de emisión PWM	
	<b>1200Hz</b>		
	<b>2000Hz</b>		
	<b>4000Hz</b>		
	<b>6000Hz</b>		
<b>Color Balance</b>	<b>Red</b>	<b>100–255</b>	
	<b>Green</b>		
	<b>Blue</b>		
	<b>White</b>		
<b>Preset Select</b>	<b>PRESET A</b>	Opciones de menú preconfiguradas grabadas	
	<b>PRESET B</b>		
	<b>PRESET C</b>		
<b>Preset Sync</b>	<b>NO</b>	Permite transferir las opciones de menú preconfiguradas grabadas a otros Maverick MK3 Wash de la cadena DMX	
	<b>YES</b>		
<b>Reset Function</b>	<b>Pan</b>	<b>NO</b>	Restablece las funciones individuales o todas las funciones desde el arranque
		<b>YES</b>	
	<b>Tilt</b>	<b>NO</b>	
		<b>YES</b>	
<b>All</b>	<b>NO</b>		
	<b>YES</b>		
<b>Factory Settings</b>	<b>NO</b>	Restablece el dispositivo a la configuración de fábrica	
	<b>YES</b>		



Niveles de Programación			Descripción
<b>Sys Info</b>			<b>Sys Info Nivel Principal</b>
<b>Sys Info</b>	<b>Fixture Information</b>	<b>Ver</b>	<b>V_</b>
		<b>Running Mode</b>	<b>---</b>
		<b>Address</b>	<b>---</b>
		<b>Temperature</b>	<b>---</b>
		<b>Fixture Hours</b>	<b>-----</b>
		<b>IP</b>	<b>---:---:---:---</b>
		<b>SubMask</b>	<b>---:---:---:---</b>
		<b>MAC</b>	<b>--:--:--:--:--:--</b>
	<b>Fan Information</b>	<b>Head Fan1 Speed</b>	<b>---</b>
		<b>Head Fan2 Speed</b>	<b>---</b>
<b>Error Information</b>	<b>No Error!*</b>		Muestra cualquier error o "No Error!"

Niveles de Programación		Descripción
Sys Info (cont.)		Sys Info Nivel Principal (cont.)
Sys Info (cont.)	Channel Information	Muestra todos los valores actuales de las señales de entrada, 000–255
	Frequency	
	Pan	
	Pan Fine	
	Tilt	
	Tilt Fine	
	CTC	
	Color	
	Pattern	
	LED Macro	
	LED Ma. Speed	
	LED Ma. Fine	
	Background	
	Background Dim.	
	Bg. Dim. Fine	
	Dimmer	
	Dimmer Fine	
	Shutter	
	Zoom	
	Function	
	Red (todo, 1–27)	
	Red Fine (todo, 1–27)	
	Green (todo, 1–27)	
	Green fine (all, 1–27)	
	Blue (todo, 1–27)	
	Blue Fine (todo, 1–27)	
	White (todo, 1–27)	
White Fine (todo, 1–27)		

Zonas para control de píxel



Valores “Single Control”

“Single Control”: Modo “Tour” (297-canal)

Canal	Función	Valor	Porcentaje/Configuración
1	Movimiento panorámico	000 ⇔ 255	0–100%
2	Movimiento panorámico fino	000 ⇔ 255	0–100%
3	Inclinación	000 ⇔ 255	0–100%
4	Inclinación fino	000 ⇔ 255	0–100%
5	Velocidad de movimiento panorámico / inclinación	000 ⇔ 255	Rápido a lento
6	CTC	000	Sin función
		001 ⇔ 255	Temperature de color, 2800–10000 K
7	Macro Color	000	Sin función
		001 ⇔ 255	Color macros
8	Gobo	000	Sin función
		001 ⇔ 255	Gobos (indexado)
9	Macro LED / Programa automático	000 ⇔ 015	Sin función
		016 ⇔ 135	Macros LED
		136 ⇔ 255	Programas automáticos
10	Velocidad Macro LED / Programa automático	000 ⇔ 127	Rápido a lento
		128	Mantener
		129 ⇔ 255	Lento a rápido
11	Retardo LED integrado	000 ⇔ 255	Rápido a lento
12	Color de fondo	000	Sin función
		001 ⇔ 002	2700K R = 156 G = 118 B = 0 W = 63
		003 ⇔ 004	3200K R = 156 G = 141 B = 5 W = 89
		005 ⇔ 006	4200K R = 156 G = 141 B = 14 W = 255
		007 ⇔ 008	5600K R = 156 G = 207 B = 54 W = 255
		009 ⇔ 010	8000K R = 130 G = 255 B = 96 W = 255
		011	Azul R = 0 G = 0 B = 255 W = 0
		012 ⇔ 048	+ Verde R = 0 G = 0–255 B = 255 W = 0
		049	Cian R = 0 G = 255 B = 255 W = 0
		050 ⇔ 086	- Azul R = 0 G = 255 B = 255–0 W = 0
		087	Verde R = 0 G = 255 B = 0 W = 0
		088 ⇔ 124	+ Rojo R = 0–255 G = 255 B = 0 W = 0
		125	Amarillo R = 255 G = 255 B = 0 W = 0
		126 ⇔ 162	- Verde R = 255 G = 255–0 B = 0 W = 0
		163	Rojo R = 255 G = 0 B = 0 W = 0
		164 ⇔ 200	+ Azul R = 255 G = 0 B = 0–255 W = 0
		201	Magenta R = 255 G = 0 B = 255 W = 0
		202 ⇔ 238	- Rojo R = 255–0 G = 0 B = 255 W = 0
		239	Azul R = 0 G = 0 B = 255 W = 0
		240 ⇔ 247	Cambio de color, rápido a lento
248 ⇔ 255	Salto de color, rápido a lento		
13	Atenuador fondo	000 ⇔ 255	0–100%
14	Atenuador fondo fino	000 ⇔ 255	0–100%
15	Atenuador principal	000 ⇔ 255	0–100%
16	Atenuador principal fino	000 ⇔ 255	0–100%

Canal	Función	Valor	Porcentaje/Configuración
<b>17</b>	<b>Obturador</b>	000 ⇔ 019	Apagado
		020 ⇔ 024	Encendido
		025 ⇔ 064	Estroboscopio, rápido a lento
		065 ⇔ 069	Encendido
		070 ⇔ 084	Estroboscopio 100–0%, rápido a lento
		085 ⇔ 089	Encendido
		090 ⇔ 104	Estroboscopio 0–100%, rápido a lento
		105 ⇔ 109	Encendido
		110 ⇔ 124	Estroboscopio aleatorio, rápido a lento
		125 ⇔ 129	Encendido
		130 ⇔ 144	Estroboscopio aleatorio 100–0%, rápido a lento
		145 ⇔ 149	Encendido
		150 ⇔ 164	Estroboscopio aleatorio 0–100%, rápido a lento
		165 ⇔ 169	Encendido
		170 ⇔ 184	Estroboscopio pulso, rápido a lento
		185 ⇔ 189	Encendido
		190 ⇔ 204	Estroboscopio pulso aleatorio, rápido a lento
205 ⇔ 209	Encendido		
210 ⇔ 224	Estroboscopio 0–100–0%, rápido a lento		
225 ⇔ 229	Encendido		
230 ⇔ 244	Estroboscopio pulso aleatorio, rápido a lento		
245 ⇔ 255	Encendido		
<b>18</b>	<b>Zoom</b>	000 ⇔ 255	Ancho a estrecho
<b>19</b>	<b>Control</b>	000 ⇔ 009	Sin función
		010 ⇔ 014	Blackout panorámica/Inclinación
		015 ⇔ 019	Reservado para usos futuros
		020 ⇔ 024	Modo de mezcla de color RGBW
		025 ⇔ 029	Modo de mezcla de color CMY (R=C, G=M, B=Y)
		030 ⇔ 049	Reservado para usos futuros
		050 ⇔ 054	Reiniciar movimiento panorámico
		055 ⇔ 059	Reiniciar inclinación
		060 ⇔ 064	Restablecer zoom
		065 ⇔ 069	Reservado para usos futuros
		070 ⇔ 074	Reiniciar todo
		075 ⇔ 109	Reservado para usos futuros
		110 ⇔ 114	Velocidad alta panorámica/Inclinación
		115 ⇔ 119	Velocidad baja panorámica/Inclinación
		120 ⇔ 124	Modo de ventilador lento
		125 ⇔ 129	Modo de ventilador al máximo
		130 ⇔ 134	Modo de ventilador automático
135 ⇔ 139	Modo de atenuador rápido		
140 ⇔ 144	Modo de atenuador lento		
145 ⇔ 255	Reservado para usos futuros		
<b>20</b>	<b>Rojo principal</b>	000 ⇔ 255	0–100%
<b>21</b>	<b>Rojo principal fino</b>	000 ⇔ 255	0–100%
<b>22</b>	<b>Verde principal</b>	000 ⇔ 255	0–100%
<b>23</b>	<b>Verde principal fino</b>	000 ⇔ 255	0–100%
<b>24</b>	<b>Azul principal</b>	000 ⇔ 255	0–100%
<b>25</b>	<b>Azul principal fino</b>	000 ⇔ 255	0–100%
<b>26</b>	<b>Blanco principal</b>	000 ⇔ 255	0–100%
<b>27</b>	<b>Blanco principal fino</b>	000 ⇔ 255	0–100%

Canal	Función	Valor	Porcentaje/Configuración
28	Atenuador 1	000 ⇄ 255	0–100%
29	Atenuador fino 1	000 ⇄ 255	0–100%
30	Rojo 1	000 ⇄ 255	0–100%
31	Rojo fino 1	000 ⇄ 255	0–100%
32	Verde 1	000 ⇄ 255	0–100%
33	Verde fino 1	000 ⇄ 255	0–100%
34	Azul 1	000 ⇄ 255	0–100%
35	Azul fino 1	000 ⇄ 255	0–100%
36	Blanco 1	000 ⇄ 255	0–100%
37	Blanco fino 1	000 ⇄ 255	0–100%
38	Atenuador 2	000 ⇄ 255	0–100%
39	Atenuador fino 2	000 ⇄ 255	0–100%
40	Rojo 2	000 ⇄ 255	0–100%
41	Rojo fino 2	000 ⇄ 255	0–100%
42	Verde 2	000 ⇄ 255	0–100%
43	Verde fino 2	000 ⇄ 255	0–100%
44	Azul 2	000 ⇄ 255	0–100%
45	Azul fino 2	000 ⇄ 255	0–100%
46	Blanco 2	000 ⇄ 255	0–100%
47	Blanco fino 2	000 ⇄ 255	0–100%
48	Atenuador 3	000 ⇄ 255	0–100%
49	Atenuador fino 3	000 ⇄ 255	0–100%
50	Rojo 3	000 ⇄ 255	0–100%
51	Rojo fino 3	000 ⇄ 255	0–100%
52	Verde 3	000 ⇄ 255	0–100%
53	Verde fino 3	000 ⇄ 255	0–100%
54	Azul 3	000 ⇄ 255	0–100%
55	Azul fino 3	000 ⇄ 255	0–100%
56	Blanco 3	000 ⇄ 255	0–100%
57	Blanco fino 3	000 ⇄ 255	0–100%
58	Atenuador 4	000 ⇄ 255	0–100%
59	Atenuador fino 4	000 ⇄ 255	0–100%
60	Rojo 4	000 ⇄ 255	0–100%
61	Rojo fino 4	000 ⇄ 255	0–100%
62	Verde 4	000 ⇄ 255	0–100%
63	Verde fino 4	000 ⇄ 255	0–100%
64	Azul 4	000 ⇄ 255	0–100%
65	Azul fino 4	000 ⇄ 255	0–100%
66	Blanco 4	000 ⇄ 255	0–100%
67	Blanco fino 4	000 ⇄ 255	0–100%
68	Atenuador 5	000 ⇄ 255	0–100%
69	Atenuador fino 5	000 ⇄ 255	0–100%
70	Rojo 5	000 ⇄ 255	0–100%
71	Rojo fino 5	000 ⇄ 255	0–100%
72	Verde 5	000 ⇄ 255	0–100%
73	Verde fino 5	000 ⇄ 255	0–100%
74	Azul 5	000 ⇄ 255	0–100%
75	Azul fino 5	000 ⇄ 255	0–100%
76	Blanco 5	000 ⇄ 255	0–100%
77	Blanco fino 5	000 ⇄ 255	0–100%
78	Atenuador 6	000 ⇄ 255	0–100%
79	Atenuador fino 6	000 ⇄ 255	0–100%
80	Rojo 6	000 ⇄ 255	0–100%
81	Rojo fino 6	000 ⇄ 255	0–100%

Canal	Función	Valor	Porcentaje/Configuración
82	Verde 6	000 ⇔ 255	0-100%
83	Verde fino 6	000 ⇔ 255	0-100%
84	Azul 6	000 ⇔ 255	0-100%
85	Azul fino 6	000 ⇔ 255	0-100%
86	Blanco 6	000 ⇔ 255	0-100%
87	Blanco fino 6	000 ⇔ 255	0-100%
88	Atenuador 7	000 ⇔ 255	0-100%
89	Atenuador fino 7	000 ⇔ 255	0-100%
90	Rojo 7	000 ⇔ 255	0-100%
91	Rojo fino 7	000 ⇔ 255	0-100%
92	Verde 7	000 ⇔ 255	0-100%
93	Verde fino 7	000 ⇔ 255	0-100%
94	Azul 7	000 ⇔ 255	0-100%
95	Azul fino 7	000 ⇔ 255	0-100%
96	Blanco 7	000 ⇔ 255	0-100%
97	Blanco fino 7	000 ⇔ 255	0-100%
98	Atenuador 8	000 ⇔ 255	0-100%
99	Atenuador fino 8	000 ⇔ 255	0-100%
100	Rojo 8	000 ⇔ 255	0-100%
101	Rojo fino 8	000 ⇔ 255	0-100%
102	Verde 8	000 ⇔ 255	0-100%
103	Verde fino 8	000 ⇔ 255	0-100%
104	Azul 8	000 ⇔ 255	0-100%
105	Azul fino 8	000 ⇔ 255	0-100%
106	Blanco 8	000 ⇔ 255	0-100%
107	Blanco fino 8	000 ⇔ 255	0-100%
108	Atenuador 9	000 ⇔ 255	0-100%
109	Atenuador fino 9	000 ⇔ 255	0-100%
110	Rojo 9	000 ⇔ 255	0-100%
111	Rojo fino 9	000 ⇔ 255	0-100%
112	Verde 9	000 ⇔ 255	0-100%
113	Verde fino 9	000 ⇔ 255	0-100%
114	Azul 9	000 ⇔ 255	0-100%
115	Azul fino 9	000 ⇔ 255	0-100%
116	Blanco 9	000 ⇔ 255	0-100%
117	Blanco fino 9	000 ⇔ 255	0-100%
118	Atenuador 10	000 ⇔ 255	0-100%
119	Atenuador fino 10	000 ⇔ 255	0-100%
120	Rojo 10	000 ⇔ 255	0-100%
121	Rojo fino 10	000 ⇔ 255	0-100%
122	Verde 10	000 ⇔ 255	0-100%
123	Verde fino 10	000 ⇔ 255	0-100%
124	Azul 10	000 ⇔ 255	0-100%
125	Azul fino 10	000 ⇔ 255	0-100%
126	Blanco 10	000 ⇔ 255	0-100%
127	Blanco fino 10	000 ⇔ 255	0-100%
128	Atenuador 11	000 ⇔ 255	0-100%
129	Atenuador fino 11	000 ⇔ 255	0-100%
130	Rojo 11	000 ⇔ 255	0-100%
131	Rojo fino 11	000 ⇔ 255	0-100%
132	Verde 11	000 ⇔ 255	0-100%
133	Verde fino 11	000 ⇔ 255	0-100%
134	Azul 11	000 ⇔ 255	0-100%
135	Azul fino 11	000 ⇔ 255	0-100%

## GUÍA DE REFERENCIA RÁPIDA



ES

Canal	Función	Valor	Porcentaje/Configuración
136	Blanco 11	000 ⇄ 255	0–100%
137	Blanco fino 11	000 ⇄ 255	0–100%
138	Atenuador 12	000 ⇄ 255	0–100%
139	Atenuador fino 12	000 ⇄ 255	0–100%
140	Rojo 12	000 ⇄ 255	0–100%
141	Rojo fino 12	000 ⇄ 255	0–100%
142	Verde 12	000 ⇄ 255	0–100%
143	Verde fino 12	000 ⇄ 255	0–100%
144	Azul 12	000 ⇄ 255	0–100%
145	Azul fino 12	000 ⇄ 255	0–100%
146	Blanco 12	000 ⇄ 255	0–100%
147	Blanco fino 12	000 ⇄ 255	0–100%
148	Atenuador 13	000 ⇄ 255	0–100%
149	Atenuador fino 13	000 ⇄ 255	0–100%
150	Rojo 13	000 ⇄ 255	0–100%
151	Rojo fino 13	000 ⇄ 255	0–100%
152	Verde 13	000 ⇄ 255	0–100%
153	Verde fino 13	000 ⇄ 255	0–100%
154	Azul 13	000 ⇄ 255	0–100%
155	Azul fino 13	000 ⇄ 255	0–100%
156	Blanco 13	000 ⇄ 255	0–100%
157	Blanco fino 13	000 ⇄ 255	0–100%
158	Atenuador 14	000 ⇄ 255	0–100%
159	Atenuador fino 14	000 ⇄ 255	0–100%
160	Rojo 14	000 ⇄ 255	0–100%
161	Rojo fino 14	000 ⇄ 255	0–100%
162	Verde 14	000 ⇄ 255	0–100%
163	Verde fino 14	000 ⇄ 255	0–100%
164	Azul 14	000 ⇄ 255	0–100%
165	Azul fino 14	000 ⇄ 255	0–100%
166	Blanco 14	000 ⇄ 255	0–100%
167	Blanco fino 14	000 ⇄ 255	0–100%
168	Atenuador 15	000 ⇄ 255	0–100%
169	Atenuador fino 15	000 ⇄ 255	0–100%
170	Rojo 15	000 ⇄ 255	0–100%
171	Rojo fino 15	000 ⇄ 255	0–100%
172	Verde 15	000 ⇄ 255	0–100%
173	Verde fino 15	000 ⇄ 255	0–100%
174	Azul 15	000 ⇄ 255	0–100%
175	Azul fino 15	000 ⇄ 255	0–100%
176	Blanco 15	000 ⇄ 255	0–100%
177	Blanco fino 15	000 ⇄ 255	0–100%
178	Atenuador 16	000 ⇄ 255	0–100%
179	Atenuador fino 16	000 ⇄ 255	0–100%
180	Rojo 16	000 ⇄ 255	0–100%
181	Rojo fino 16	000 ⇄ 255	0–100%
182	Verde 16	000 ⇄ 255	0–100%
183	Verde fino 16	000 ⇄ 255	0–100%
184	Azul 16	000 ⇄ 255	0–100%
185	Azul fino 16	000 ⇄ 255	0–100%
186	Blanco 16	000 ⇄ 255	0–100%
187	Blanco fino 16	000 ⇄ 255	0–100%
188	Atenuador 17	000 ⇄ 255	0–100%
189	Atenuador fino 17	000 ⇄ 255	0–100%



Canal	Función	Valor	Porcentaje/Configuración
190	Rojo 17	000 ⇔ 255	0-100%
191	Rojo fino 17	000 ⇔ 255	0-100%
192	Verde 17	000 ⇔ 255	0-100%
193	Verde fino 17	000 ⇔ 255	0-100%
194	Azul 17	000 ⇔ 255	0-100%
195	Azul fino 17	000 ⇔ 255	0-100%
196	Blanco 17	000 ⇔ 255	0-100%
197	Blanco fino 17	000 ⇔ 255	0-100%
198	Atenuador 18	000 ⇔ 255	0-100%
199	Atenuador fino 18	000 ⇔ 255	0-100%
200	Rojo 18	000 ⇔ 255	0-100%
201	Rojo fino 18	000 ⇔ 255	0-100%
202	Verde 18	000 ⇔ 255	0-100%
203	Verde fino 18	000 ⇔ 255	0-100%
204	Azul 18	000 ⇔ 255	0-100%
205	Azul fino 18	000 ⇔ 255	0-100%
206	Blanco 18	000 ⇔ 255	0-100%
207	Blanco fino 18	000 ⇔ 255	0-100%
208	Atenuador 19	000 ⇔ 255	0-100%
209	Atenuador fino 19	000 ⇔ 255	0-100%
210	Rojo 19	000 ⇔ 255	0-100%
211	Rojo fino 19	000 ⇔ 255	0-100%
212	Verde 19	000 ⇔ 255	0-100%
213	Verde fino 19	000 ⇔ 255	0-100%
214	Azul 19	000 ⇔ 255	0-100%
215	Azul fino 19	000 ⇔ 255	0-100%
216	Blanco 19	000 ⇔ 255	0-100%
217	Blanco fino 19	000 ⇔ 255	0-100%
218	Atenuador 20	000 ⇔ 255	0-100%
219	Atenuador fino 20	000 ⇔ 255	0-100%
220	Rojo 20	000 ⇔ 255	0-100%
221	Rojo fino 20	000 ⇔ 255	0-100%
222	Verde 20	000 ⇔ 255	0-100%
223	Verde fino 20	000 ⇔ 255	0-100%
224	Azul 20	000 ⇔ 255	0-100%
225	Azul fino 20	000 ⇔ 255	0-100%
226	Blanco 20	000 ⇔ 255	0-100%
227	Blanco fino 20	000 ⇔ 255	0-100%
228	Atenuador 21	000 ⇔ 255	0-100%
229	Atenuador fino 21	000 ⇔ 255	0-100%
230	Rojo 21	000 ⇔ 255	0-100%
231	Rojo fino 21	000 ⇔ 255	0-100%
232	Verde 21	000 ⇔ 255	0-100%
233	Verde fino 21	000 ⇔ 255	0-100%
234	Azul 21	000 ⇔ 255	0-100%
235	Azul fino 21	000 ⇔ 255	0-100%
236	Blanco 21	000 ⇔ 255	0-100%
237	Blanco fino 21	000 ⇔ 255	0-100%
238	Atenuador 22	000 ⇔ 255	0-100%
239	Atenuador fino 22	000 ⇔ 255	0-100%
240	Rojo 22	000 ⇔ 255	0-100%
241	Rojo fino 22	000 ⇔ 255	0-100%
242	Verde 22	000 ⇔ 255	0-100%
243	Verde fino 22	000 ⇔ 255	0-100%

Canal	Función	Valor	Porcentaje/Configuración
244	Azul 22	000 ⇄ 255	0–100%
245	Azul fino 22	000 ⇄ 255	0–100%
246	Blanco 22	000 ⇄ 255	0–100%
247	Blanco fino 22	000 ⇄ 255	0–100%
248	Atenuador 23	000 ⇄ 255	0–100%
249	Atenuador fino 23	000 ⇄ 255	0–100%
250	Rojo 23	000 ⇄ 255	0–100%
251	Rojo fino 23	000 ⇄ 255	0–100%
252	Verde 23	000 ⇄ 255	0–100%
253	Verde fino 23	000 ⇄ 255	0–100%
254	Azul 23	000 ⇄ 255	0–100%
255	Azul fino 23	000 ⇄ 255	0–100%
256	Blanco 23	000 ⇄ 255	0–100%
257	Blanco fino 23	000 ⇄ 255	0–100%
258	Atenuador 24	000 ⇄ 255	0–100%
259	Atenuador fino 24	000 ⇄ 255	0–100%
260	Rojo 24	000 ⇄ 255	0–100%
261	Rojo fino 24	000 ⇄ 255	0–100%
262	Verde 24	000 ⇄ 255	0–100%
263	Verde fino 24	000 ⇄ 255	0–100%
264	Azul 24	000 ⇄ 255	0–100%
265	Azul fino 24	000 ⇄ 255	0–100%
266	Blanco 24	000 ⇄ 255	0–100%
267	Blanco fino 24	000 ⇄ 255	0–100%
268	Atenuador 25	000 ⇄ 255	0–100%
269	Atenuador fino 25	000 ⇄ 255	0–100%
270	Rojo 25	000 ⇄ 255	0–100%
271	Rojo fino 25	000 ⇄ 255	0–100%
272	Verde 25	000 ⇄ 255	0–100%
273	Verde fino 25	000 ⇄ 255	0–100%
274	Azul 25	000 ⇄ 255	0–100%
275	Azul fino 25	000 ⇄ 255	0–100%
276	Blanco 25	000 ⇄ 255	0–100%
277	Blanco fino 25	000 ⇄ 255	0–100%
278	Atenuador 26	000 ⇄ 255	0–100%
279	Atenuador fino 26	000 ⇄ 255	0–100%
280	Rojo 26	000 ⇄ 255	0–100%
281	Rojo fino 26	000 ⇄ 255	0–100%
282	Verde 26	000 ⇄ 255	0–100%
283	Verde fino 26	000 ⇄ 255	0–100%
284	Azul 26	000 ⇄ 255	0–100%
285	Azul fino 26	000 ⇄ 255	0–100%
286	Blanco 26	000 ⇄ 255	0–100%
287	Blanco fino 26	000 ⇄ 255	0–100%
288	Atenuador 27	000 ⇄ 255	0–100%
289	Atenuador fino 27	000 ⇄ 255	0–100%
290	Rojo 27	000 ⇄ 255	0–100%
291	Rojo fino 27	000 ⇄ 255	0–100%
292	Verde 27	000 ⇄ 255	0–100%
293	Verde fino 27	000 ⇄ 255	0–100%
294	Azul 27	000 ⇄ 255	0–100%
295	Azul fino 27	000 ⇄ 255	0–100%
296	Blanco 27	000 ⇄ 255	0–100%
297	Blanco fino 27	000 ⇄ 255	0–100%

**“Single Control”: Modo “Advanced” (243-canal)**

Canal	Función	Valor	Porcentaje/Configuración
1	Movimiento panorámico	000 ⇔ 255	0–100%
2	Movimiento panorámico fino	000 ⇔ 255	0–100%
3	Inclinación	000 ⇔ 255	0–100%
4	Inclinación fino	000 ⇔ 255	0–100%
5	Velocidad de movimiento panorámico / inclinación	000 ⇔ 255	Rápido a lento
6	CTC	000	Sin función
		001 ⇔ 255	Temperature de color, 2800–10000 K
7	Macro Color	000	Sin función
		001 ⇔ 255	Color macros
8	Gobo	000	Sin función
		001 ⇔ 255	Gobos (indexado)
9	Macro LED / Programa automático	000 ⇔ 015	Sin función
		016 ⇔ 135	Macros LED
		136 ⇔ 255	Programas automáticos
10	Velocidad Macro LED / Programa automático	000 ⇔ 127	Rápido a lento
		128	Mantener
		129 ⇔ 255	Lento a rápido
11	Retardo LED integrado	000 ⇔ 255	Rápido a lento
12	Color de fondo	000	Sin función
		001 ⇔ 002	2700K R = 156 G = 118 B = 0 W = 63
		003 ⇔ 004	3200K R = 156 G = 141 B = 5 W = 89
		005 ⇔ 006	4200K R = 156 G = 141 B = 14 W = 255
		007 ⇔ 008	5600K R = 156 G = 207 B = 54 W = 255
		009 ⇔ 010	8000K R = 130 G = 255 B = 96 W = 255
		011	Azul R = 0 G = 0 B = 255 W = 0
		012 ⇔ 048	+ Verde R = 0 G = 0–255 B = 255 W = 0
		049	Cian R = 0 G = 255 B = 255 W = 0
		050 ⇔ 086	- Azul R = 0 G = 255 B = 255–0 W = 0
		087	Verde R = 0 G = 255 B = 0 W = 0
		088 ⇔ 124	+ Rojo R = 0–255 G = 255 B = 0 W = 0
		125	Amarillo R = 255 G = 255 B = 0 W = 0
		126 ⇔ 162	- Verde R = 255 G = 255–0 B = 0 W = 0
		163	Rojo R = 255 G = 0 B = 0 W = 0
		164 ⇔ 200	+ Azul R = 255 G = 0 B = 0–255 W = 0
		201	Magenta R = 255 G = 0 B = 255 W = 0
		202 ⇔ 238	- Rojo R = 255–0 G = 0 B = 255 W = 0
		239	Azul R = 0 G = 0 B = 255 W = 0
		240 ⇔ 247	Cambio de color, rápido a lento
248 ⇔ 255	Salto de color, rápido a lento		
13	Atenuador fondo	000 ⇔ 255	0–100%
14	Atenuador fondo fino	000 ⇔ 255	0–100%
15	Atenuador principal	000 ⇔ 255	0–100%
16	Atenuador principal fino	000 ⇔ 255	0–100%

# GUÍA DE REFERENCIA RÁPIDA



ES

Canal	Función	Valor	Porcentaje/Configuración
17	Obturador	000 ⇄ 019	Apagado
		020 ⇄ 024	Encendido
		025 ⇄ 064	Estroboscopio, rápido a lento
		065 ⇄ 069	Encendido
		070 ⇄ 084	Estroboscopio 100–0%, rápido a lento
		085 ⇄ 089	Encendido
		090 ⇄ 104	Estroboscopio 0–100%, rápido a lento
		105 ⇄ 109	Encendido
		110 ⇄ 124	Estroboscopio aleatorio, rápido a lento
		125 ⇄ 129	Encendido
		130 ⇄ 144	Estroboscopio aleatorio 100–0%, rápido a lento
		145 ⇄ 149	Encendido
		150 ⇄ 164	Estroboscopio aleatorio 0–100%, rápido a lento
		165 ⇄ 169	Encendido
		170 ⇄ 184	Estroboscopio pulso, rápido a lento
		185 ⇄ 189	Encendido
		190 ⇄ 204	Estroboscopio pulso aleatorio, rápido a lento
205 ⇄ 209	Encendido		
210 ⇄ 224	Estroboscopio 0–100–0%, rápido a lento		
225 ⇄ 229	Encendido		
230 ⇄ 244	Estroboscopio pulso aleatorio, rápido a lento		
245 ⇄ 255	Encendido		
18	Zoom	000 ⇄ 255	Ancho a estrecho
19	Control	000 ⇄ 009	Sin función
		010 ⇄ 014	Blackout panorámica/Inclinación
		015 ⇄ 019	Reservado para usos futuros
		020 ⇄ 024	Modo de mezcla de color RGBW
		025 ⇄ 029	Modo de mezcla de color CMY (R=C, G=M, B=Y)
		030 ⇄ 049	Reservado para usos futuros
		050 ⇄ 054	Reiniciar movimiento panorámico
		055 ⇄ 059	Reiniciar inclinación
		060 ⇄ 064	Restablecer zoom
		065 ⇄ 069	Reservado para usos futuros
		070 ⇄ 074	Reiniciar todo
		075 ⇄ 109	Reservado para usos futuros
		110 ⇄ 114	Velocidad alta panorámica/Inclinación
		115 ⇄ 119	Velocidad baja panorámica/Inclinación
		120 ⇄ 124	Modo de ventilador lento
		125 ⇄ 129	Modo de ventilador al máximo
		130 ⇄ 134	Modo de ventilador automático
135 ⇄ 139	Modo de atenuador rápido		
140 ⇄ 144	Modo de atenuador lento		
145 ⇄ 255	Reservado para usos futuros		
20	Rojo principal	000 ⇄ 255	0–100%
21	Rojo principal fino	000 ⇄ 255	0–100%
22	Verde principal	000 ⇄ 255	0–100%
23	Verde principal fino	000 ⇄ 255	0–100%
24	Azul principal	000 ⇄ 255	0–100%
25	Azul principal fino	000 ⇄ 255	0–100%
26	Blanco principal	000 ⇄ 255	0–100%
27	Blanco principal fino	000 ⇄ 255	0–100%
28	Rojo 1	000 ⇄ 255	0–100%
29	Rojo fino 1	000 ⇄ 255	0–100%
30	Verde 1	000 ⇄ 255	0–100%
31	Verde fino 1	000 ⇄ 255	0–100%

Canal	Función	Valor	Porcentaje/Configuración
32	Azul 1	000 ⇔ 255	0–100%
33	Azul fino 1	000 ⇔ 255	0–100%
34	Blanco 1	000 ⇔ 255	0–100%
35	Blanco fino 1	000 ⇔ 255	0–100%
36	Rojo 2	000 ⇔ 255	0–100%
37	Rojo fino 2	000 ⇔ 255	0–100%
38	Verde 2	000 ⇔ 255	0–100%
39	Verde fino 2	000 ⇔ 255	0–100%
40	Azul 2	000 ⇔ 255	0–100%
41	Azul fino 2	000 ⇔ 255	0–100%
42	Blanco 2	000 ⇔ 255	0–100%
43	Blanco fino 2	000 ⇔ 255	0–100%
44	Rojo 3	000 ⇔ 255	0–100%
45	Rojo fino 3	000 ⇔ 255	0–100%
46	Verde 3	000 ⇔ 255	0–100%
47	Verde fino 3	000 ⇔ 255	0–100%
48	Azul 3	000 ⇔ 255	0–100%
49	Azul fino 3	000 ⇔ 255	0–100%
50	Blanco 3	000 ⇔ 255	0–100%
51	Blanco fino 3	000 ⇔ 255	0–100%
52	Rojo 4	000 ⇔ 255	0–100%
53	Rojo fino 4	000 ⇔ 255	0–100%
54	Verde 4	000 ⇔ 255	0–100%
55	Verde fino 4	000 ⇔ 255	0–100%
56	Azul 4	000 ⇔ 255	0–100%
57	Azul fino 4	000 ⇔ 255	0–100%
58	Blanco 4	000 ⇔ 255	0–100%
59	Blanco fino 4	000 ⇔ 255	0–100%
60	Rojo 5	000 ⇔ 255	0–100%
61	Rojo fino 5	000 ⇔ 255	0–100%
62	Verde 5	000 ⇔ 255	0–100%
63	Verde fino 5	000 ⇔ 255	0–100%
64	Azul 5	000 ⇔ 255	0–100%
65	Azul fino 5	000 ⇔ 255	0–100%
66	Blanco 5	000 ⇔ 255	0–100%
67	Blanco fino 5	000 ⇔ 255	0–100%
68	Rojo 6	000 ⇔ 255	0–100%
69	Rojo fino 6	000 ⇔ 255	0–100%
70	Verde 6	000 ⇔ 255	0–100%
71	Verde fino 6	000 ⇔ 255	0–100%
72	Azul 6	000 ⇔ 255	0–100%
73	Azul fino 6	000 ⇔ 255	0–100%
74	Blanco 6	000 ⇔ 255	0–100%
75	Blanco fino 6	000 ⇔ 255	0–100%
76	Rojo 7	000 ⇔ 255	0–100%
77	Rojo fino 7	000 ⇔ 255	0–100%
78	Verde 7	000 ⇔ 255	0–100%
79	Verde fino 7	000 ⇔ 255	0–100%
80	Azul 7	000 ⇔ 255	0–100%
81	Azul fino 7	000 ⇔ 255	0–100%
82	Blanco 7	000 ⇔ 255	0–100%
83	Blanco fino 7	000 ⇔ 255	0–100%
84	Rojo 8	000 ⇔ 255	0–100%
85	Rojo fino 8	000 ⇔ 255	0–100%

Canal	Función	Valor	Porcentaje/Configuración
86	Verde 8	000 ⇄ 255	0–100%
87	Verde fino 8	000 ⇄ 255	0–100%
88	Azul 8	000 ⇄ 255	0–100%
89	Azul fino 8	000 ⇄ 255	0–100%
90	Blanco 8	000 ⇄ 255	0–100%
91	Blanco fino 8	000 ⇄ 255	0–100%
92	Rojo 9	000 ⇄ 255	0–100%
93	Rojo fino 9	000 ⇄ 255	0–100%
94	Verde 9	000 ⇄ 255	0–100%
95	Verde fino 9	000 ⇄ 255	0–100%
96	Azul 9	000 ⇄ 255	0–100%
97	Azul fino 9	000 ⇄ 255	0–100%
98	Blanco 9	000 ⇄ 255	0–100%
99	Blanco fino 9	000 ⇄ 255	0–100%
100	Rojo 10	000 ⇄ 255	0–100%
101	Rojo fino 10	000 ⇄ 255	0–100%
102	Verde 10	000 ⇄ 255	0–100%
103	Verde fino 10	000 ⇄ 255	0–100%
104	Azul 10	000 ⇄ 255	0–100%
105	Azul fino 10	000 ⇄ 255	0–100%
106	Blanco 10	000 ⇄ 255	0–100%
107	Blanco fino 10	000 ⇄ 255	0–100%
108	Rojo 11	000 ⇄ 255	0–100%
109	Rojo fino 11	000 ⇄ 255	0–100%
110	Verde 11	000 ⇄ 255	0–100%
111	Verde fino 11	000 ⇄ 255	0–100%
112	Azul 11	000 ⇄ 255	0–100%
113	Azul fino 11	000 ⇄ 255	0–100%
114	Blanco 11	000 ⇄ 255	0–100%
115	Blanco fino 11	000 ⇄ 255	0–100%
116	Rojo 12	000 ⇄ 255	0–100%
117	Rojo fino 12	000 ⇄ 255	0–100%
118	Verde 12	000 ⇄ 255	0–100%
119	Verde fino 12	000 ⇄ 255	0–100%
120	Azul 12	000 ⇄ 255	0–100%
121	Azul fino 12	000 ⇄ 255	0–100%
122	Blanco 12	000 ⇄ 255	0–100%
123	Blanco fino 12	000 ⇄ 255	0–100%
124	Rojo 13	000 ⇄ 255	0–100%
125	Rojo fino 13	000 ⇄ 255	0–100%
126	Verde 13	000 ⇄ 255	0–100%
127	Verde fino 13	000 ⇄ 255	0–100%
128	Azul 13	000 ⇄ 255	0–100%
129	Azul fino 13	000 ⇄ 255	0–100%
130	Blanco 13	000 ⇄ 255	0–100%
131	Blanco fino 13	000 ⇄ 255	0–100%
132	Rojo 14	000 ⇄ 255	0–100%
133	Rojo fino 14	000 ⇄ 255	0–100%
134	Verde 14	000 ⇄ 255	0–100%
135	Verde fino 14	000 ⇄ 255	0–100%
136	Azul 14	000 ⇄ 255	0–100%
137	Azul fino 14	000 ⇄ 255	0–100%
138	Blanco 14	000 ⇄ 255	0–100%
139	Blanco fino 14	000 ⇄ 255	0–100%

Canal	Función	Valor	Porcentaje/Configuración
140	Rojo 15	000 ⇔ 255	0-100%
141	Rojo fino 15	000 ⇔ 255	0-100%
142	Verde 15	000 ⇔ 255	0-100%
143	Verde fino 15	000 ⇔ 255	0-100%
144	Azul 15	000 ⇔ 255	0-100%
145	Azul fino 15	000 ⇔ 255	0-100%
146	Blanco 15	000 ⇔ 255	0-100%
147	Blanco fino 15	000 ⇔ 255	0-100%
148	Rojo 16	000 ⇔ 255	0-100%
149	Rojo fino 16	000 ⇔ 255	0-100%
150	Verde 16	000 ⇔ 255	0-100%
151	Verde fino 16	000 ⇔ 255	0-100%
152	Azul 16	000 ⇔ 255	0-100%
153	Azul fino 16	000 ⇔ 255	0-100%
154	Blanco 16	000 ⇔ 255	0-100%
155	Blanco fino 16	000 ⇔ 255	0-100%
156	Rojo 17	000 ⇔ 255	0-100%
157	Rojo fino 17	000 ⇔ 255	0-100%
158	Verde 17	000 ⇔ 255	0-100%
159	Verde fino 17	000 ⇔ 255	0-100%
160	Azul 17	000 ⇔ 255	0-100%
161	Azul fino 17	000 ⇔ 255	0-100%
162	Blanco 17	000 ⇔ 255	0-100%
163	Blanco fino 17	000 ⇔ 255	0-100%
164	Rojo 18	000 ⇔ 255	0-100%
165	Rojo fino 18	000 ⇔ 255	0-100%
166	Verde 18	000 ⇔ 255	0-100%
167	Verde fino 18	000 ⇔ 255	0-100%
168	Azul 18	000 ⇔ 255	0-100%
169	Azul fino 18	000 ⇔ 255	0-100%
170	Blanco 18	000 ⇔ 255	0-100%
171	Blanco fino 18	000 ⇔ 255	0-100%
172	Rojo 19	000 ⇔ 255	0-100%
173	Rojo fino 19	000 ⇔ 255	0-100%
174	Verde 19	000 ⇔ 255	0-100%
175	Verde fino 19	000 ⇔ 255	0-100%
176	Azul 19	000 ⇔ 255	0-100%
177	Azul fino 19	000 ⇔ 255	0-100%
178	Blanco 19	000 ⇔ 255	0-100%
179	Blanco fino 19	000 ⇔ 255	0-100%
180	Rojo 20	000 ⇔ 255	0-100%
181	Rojo fino 20	000 ⇔ 255	0-100%
182	Verde 20	000 ⇔ 255	0-100%
183	Verde fino 20	000 ⇔ 255	0-100%
184	Azul 20	000 ⇔ 255	0-100%
185	Azul fino 20	000 ⇔ 255	0-100%
186	Blanco 20	000 ⇔ 255	0-100%
187	Blanco fino 20	000 ⇔ 255	0-100%
188	Rojo 21	000 ⇔ 255	0-100%
189	Rojo fino 21	000 ⇔ 255	0-100%
190	Verde 21	000 ⇔ 255	0-100%
191	Verde fino 21	000 ⇔ 255	0-100%
192	Azul 21	000 ⇔ 255	0-100%
193	Azul fino 21	000 ⇔ 255	0-100%



## GUÍA DE REFERENCIA RÁPIDA



ES

Canal	Función	Valor	Porcentaje/Configuración
194	Blanco 21	000 ⇄ 255	0–100%
195	Blanco fino 21	000 ⇄ 255	0–100%
196	Rojo 22	000 ⇄ 255	0–100%
197	Rojo fino 22	000 ⇄ 255	0–100%
198	Verde 22	000 ⇄ 255	0–100%
199	Verde fino 22	000 ⇄ 255	0–100%
200	Azul 22	000 ⇄ 255	0–100%
201	Azul fino 22	000 ⇄ 255	0–100%
202	Blanco 22	000 ⇄ 255	0–100%
203	Blanco fino 22	000 ⇄ 255	0–100%
204	Rojo 23	000 ⇄ 255	0–100%
205	Rojo fino 23	000 ⇄ 255	0–100%
206	Verde 23	000 ⇄ 255	0–100%
207	Verde fino 23	000 ⇄ 255	0–100%
208	Azul 23	000 ⇄ 255	0–100%
209	Azul fino 23	000 ⇄ 255	0–100%
210	Blanco 23	000 ⇄ 255	0–100%
211	Blanco fino 23	000 ⇄ 255	0–100%
212	Rojo 24	000 ⇄ 255	0–100%
213	Rojo fino 24	000 ⇄ 255	0–100%
214	Verde 24	000 ⇄ 255	0–100%
215	Verde fino 24	000 ⇄ 255	0–100%
216	Azul 24	000 ⇄ 255	0–100%
217	Azul fino 24	000 ⇄ 255	0–100%
218	Blanco 24	000 ⇄ 255	0–100%
219	Blanco fino 24	000 ⇄ 255	0–100%
220	Rojo 25	000 ⇄ 255	0–100%
221	Rojo fino 25	000 ⇄ 255	0–100%
222	Verde 25	000 ⇄ 255	0–100%
223	Verde fino 25	000 ⇄ 255	0–100%
224	Azul 25	000 ⇄ 255	0–100%
225	Azul fino 25	000 ⇄ 255	0–100%
226	Blanco 25	000 ⇄ 255	0–100%
227	Blanco fino 25	000 ⇄ 255	0–100%
228	Rojo 26	000 ⇄ 255	0–100%
229	Rojo fino 26	000 ⇄ 255	0–100%
230	Verde 26	000 ⇄ 255	0–100%
231	Verde fino 26	000 ⇄ 255	0–100%
232	Azul 26	000 ⇄ 255	0–100%
233	Azul fino 26	000 ⇄ 255	0–100%
234	Blanco 26	000 ⇄ 255	0–100%
235	Blanco fino 26	000 ⇄ 255	0–100%
236	Rojo 27	000 ⇄ 255	0–100%
237	Rojo fino 27	000 ⇄ 255	0–100%
238	Verde 27	000 ⇄ 255	0–100%
239	Verde fino 27	000 ⇄ 255	0–100%
240	Azul 27	000 ⇄ 255	0–100%
241	Azul fino 27	000 ⇄ 255	0–100%
242	Blanco 27	000 ⇄ 255	0–100%
243	Blanco fino 27	000 ⇄ 255	0–100%

**“Single Control”: Modo “Standard” (129-canal)**

Canal	Función	Valor	Porcentaje/Configuración
1	Movimiento panorámico	000 ⇔ 255	0–100%
2	Movimiento panorámico fino	000 ⇔ 255	0–100%
3	Inclinación	000 ⇔ 255	0–100%
4	Inclinación fino	000 ⇔ 255	0–100%
5	Velocidad de movimiento panorámico / inclinación	000 ⇔ 255	Rápido a lento
6	CTC	000	Sin función
		001 ⇔ 255	Temperature de color, 2800–10000 K
7	Macro Color	000	Sin función
		001 ⇔ 255	Color macros
8	Gobo	000	Sin función
		001 ⇔ 255	Gobos (indexado)
9	Macro LED / Programa automático	000 ⇔ 015	Sin función
		016 ⇔ 135	Macros LED
		136 ⇔ 255	Programas automáticos
10	Velocidad Macro LED / Programa automático	000 ⇔ 127	Rápido a lento
		128	Mantener
		129 ⇔ 255	Lento a rápido
11	Retardo LED integrado	000 ⇔ 255	Rápido a lento
12	Color de fondo	000	Sin función
		001 ⇔ 002	2700K R = 156 G = 118 B = 0 W = 63
		003 ⇔ 004	3200K R = 156 G = 141 B = 5 W = 89
		005 ⇔ 006	4200K R = 156 G = 141 B = 14 W = 255
		007 ⇔ 008	5600K R = 156 G = 207 B = 54 W = 255
		009 ⇔ 010	8000K R = 130 G = 255 B = 96 W = 255
		011	Azul R = 0 G = 0 B = 255 W = 0
		012 ⇔ 048	+ Verde R = 0 G = 0–255 B = 255 W = 0
		049	Cian R = 0 G = 255 B = 255 W = 0
		050 ⇔ 086	- Azul R = 0 G = 255 B = 255–0 W = 0
		087	Verde R = 0 G = 255 B = 0 W = 0
		088 ⇔ 124	+ Rojo R = 0–255 G = 255 B = 0 W = 0
		125	Amarillo R = 255 G = 255 B = 0 W = 0
		126 ⇔ 162	- Verde R = 255 G = 255–0 B = 0 W = 0
		163	Rojo R = 255 G = 0 B = 0 W = 0
		164 ⇔ 200	+ Azul R = 255 G = 0 B = 0–255 W = 0
		201	Magenta R = 255 G = 0 B = 255 W = 0
		202 ⇔ 238	- Rojo R = 255–0 G = 0 B = 255 W = 0
		239	Azul R = 0 G = 0 B = 255 W = 0
		240 ⇔ 247	Cambio de color, rápido a lento
248 ⇔ 255	Salto de color, rápido a lento		
13	Atenuador fondo	000 ⇔ 255	0–100%
14	Atenuador principal	000 ⇔ 255	0–100%

Canal	Función	Valor	Porcentaje/Configuración
15	Obturador	000 ⇄ 019	Apagado
		020 ⇄ 024	Encendido
		025 ⇄ 064	Estroboscopio, rápido a lento
		065 ⇄ 069	Encendido
		070 ⇄ 084	Estroboscopio 100–0%, rápido a lento
		085 ⇄ 089	Encendido
		090 ⇄ 104	Estroboscopio 0–100%, rápido a lento
		105 ⇄ 109	Encendido
		110 ⇄ 124	Estroboscopio aleatorio, rápido a lento
		125 ⇄ 129	Encendido
		130 ⇄ 144	Estroboscopio aleatorio 100–0%, rápido a lento
		145 ⇄ 149	Encendido
		150 ⇄ 164	Estroboscopio aleatorio 0–100%, rápido a lento
		165 ⇄ 169	Encendido
		170 ⇄ 184	Estroboscopio pulso, rápido a lento
		185 ⇄ 189	Encendido
		190 ⇄ 204	Estroboscopio pulso aleatorio, rápido a lento
205 ⇄ 209	Encendido		
210 ⇄ 224	Estroboscopio 0–100–0%, rápido a lento		
225 ⇄ 229	Encendido		
230 ⇄ 244	Estroboscopio pulso aleatorio, rápido a lento		
245 ⇄ 255	Encendido		
16	Zoom	000 ⇄ 255	Ancho a estrecho
17	Control	000 ⇄ 009	Sin función
		010 ⇄ 014	Blackout panorámica/Inclinación
		015 ⇄ 019	Reservado para usos futuros
		020 ⇄ 024	Modo de mezcla de color RGBW
		025 ⇄ 029	Modo de mezcla de color CMY (R=C, G=M, B=Y)
		030 ⇄ 049	Reservado para usos futuros
		050 ⇄ 054	Reiniciar movimiento panorámico
		055 ⇄ 059	Reiniciar inclinación
		060 ⇄ 064	Restablecer zoom
		065 ⇄ 069	Reservado para usos futuros
		070 ⇄ 074	Reiniciar todo
		075 ⇄ 109	Reservado para usos futuros
		110 ⇄ 114	Velocidad alta panorámica/Inclinación
		115 ⇄ 119	Velocidad baja panorámica/Inclinación
		120 ⇄ 124	Modo de ventilador lento
		125 ⇄ 129	Modo de ventilador al máximo
		130 ⇄ 134	Modo de ventilador automático
135 ⇄ 139	Modo de atenuador rápido		
140 ⇄ 144	Modo de atenuador lento		
145 ⇄ 255	Reservado para usos futuros		
18	Rojo principal	000 ⇄ 255	0–100%
19	Verde principal	000 ⇄ 255	0–100%
20	Azul principal	000 ⇄ 255	0–100%
21	Blanco principal	000 ⇄ 255	0–100%
22	Rojo	000 ⇄ 255	0–100%
23	Verde	000 ⇄ 255	0–100%
24	Azul	000 ⇄ 255	0–100%
25	Blanco	000 ⇄ 255	0–100%
26	Rojo	000 ⇄ 255	0–100%
27	Verde	000 ⇄ 255	0–100%
28	Azul	000 ⇄ 255	0–100%
29	Blanco	000 ⇄ 255	0–100%

Canal	Función	Valor	Porcentaje/Configuración
30	Rojo	000 ⇔ 255	0-100%
31	Verde	000 ⇔ 255	0-100%
32	Azul	000 ⇔ 255	0-100%
33	Blanco	000 ⇔ 255	0-100%
34	Rojo	000 ⇔ 255	0-100%
35	Verde	000 ⇔ 255	0-100%
36	Azul	000 ⇔ 255	0-100%
37	Blanco	000 ⇔ 255	0-100%
38	Rojo	000 ⇔ 255	0-100%
39	Verde	000 ⇔ 255	0-100%
40	Azul	000 ⇔ 255	0-100%
41	Blanco	000 ⇔ 255	0-100%
42	Rojo	000 ⇔ 255	0-100%
43	Verde	000 ⇔ 255	0-100%
44	Azul	000 ⇔ 255	0-100%
45	Blanco	000 ⇔ 255	0-100%
46	Rojo	000 ⇔ 255	0-100%
47	Verde	000 ⇔ 255	0-100%
48	Azul	000 ⇔ 255	0-100%
49	Blanco	000 ⇔ 255	0-100%
50	Rojo	000 ⇔ 255	0-100%
51	Verde	000 ⇔ 255	0-100%
52	Azul	000 ⇔ 255	0-100%
53	Blanco	000 ⇔ 255	0-100%
54	Rojo	000 ⇔ 255	0-100%
55	Verde	000 ⇔ 255	0-100%
56	Azul	000 ⇔ 255	0-100%
57	Blanco	000 ⇔ 255	0-100%
58	Rojo	000 ⇔ 255	0-100%
59	Verde	000 ⇔ 255	0-100%
60	Azul	000 ⇔ 255	0-100%
61	Blanco	000 ⇔ 255	0-100%
62	Rojo	000 ⇔ 255	0-100%
63	Verde	000 ⇔ 255	0-100%
64	Azul	000 ⇔ 255	0-100%
65	Blanco	000 ⇔ 255	0-100%
66	Rojo	000 ⇔ 255	0-100%
67	Verde	000 ⇔ 255	0-100%
68	Azul	000 ⇔ 255	0-100%
69	Blanco	000 ⇔ 255	0-100%
70	Rojo	000 ⇔ 255	0-100%
71	Verde	000 ⇔ 255	0-100%
72	Azul	000 ⇔ 255	0-100%
73	Blanco	000 ⇔ 255	0-100%
74	Rojo	000 ⇔ 255	0-100%
75	Verde	000 ⇔ 255	0-100%
76	Azul	000 ⇔ 255	0-100%
77	Blanco	000 ⇔ 255	0-100%
78	Rojo	000 ⇔ 255	0-100%
79	Verde	000 ⇔ 255	0-100%
80	Azul	000 ⇔ 255	0-100%
81	Blanco	000 ⇔ 255	0-100%
82	Rojo	000 ⇔ 255	0-100%
83	Verde	000 ⇔ 255	0-100%
84	Azul	000 ⇔ 255	0-100%

## GUÍA DE REFERENCIA RÁPIDA



ES

Canal	Función	Valor	Porcentaje/Configuración
85	Blanco	000 ⇄ 255	0–100%
86	Rojo	000 ⇄ 255	0–100%
87	Verde	000 ⇄ 255	0–100%
88	Azul	000 ⇄ 255	0–100%
89	Blanco	000 ⇄ 255	0–100%
90	Rojo	000 ⇄ 255	0–100%
91	Verde	000 ⇄ 255	0–100%
92	Azul	000 ⇄ 255	0–100%
93	Blanco	000 ⇄ 255	0–100%
94	Rojo	000 ⇄ 255	0–100%
95	Verde	000 ⇄ 255	0–100%
96	Azul	000 ⇄ 255	0–100%
97	Blanco	000 ⇄ 255	0–100%
98	Rojo	000 ⇄ 255	0–100%
99	Verde	000 ⇄ 255	0–100%
100	Azul	000 ⇄ 255	0–100%
101	Blanco	000 ⇄ 255	0–100%
102	Rojo	000 ⇄ 255	0–100%
103	Verde	000 ⇄ 255	0–100%
104	Azul	000 ⇄ 255	0–100%
105	Blanco	000 ⇄ 255	0–100%
106	Rojo	000 ⇄ 255	0–100%
107	Verde	000 ⇄ 255	0–100%
108	Azul	000 ⇄ 255	0–100%
109	Blanco	000 ⇄ 255	0–100%
110	Rojo	000 ⇄ 255	0–100%
111	Verde	000 ⇄ 255	0–100%
112	Azul	000 ⇄ 255	0–100%
113	Blanco	000 ⇄ 255	0–100%
114	Rojo	000 ⇄ 255	0–100%
115	Verde	000 ⇄ 255	0–100%
116	Azul	000 ⇄ 255	0–100%
117	Blanco	000 ⇄ 255	0–100%
118	Rojo	000 ⇄ 255	0–100%
119	Verde	000 ⇄ 255	0–100%
120	Azul	000 ⇄ 255	0–100%
121	Blanco	000 ⇄ 255	0–100%
122	Rojo	000 ⇄ 255	0–100%
123	Verde	000 ⇄ 255	0–100%
124	Azul	000 ⇄ 255	0–100%
125	Blanco	000 ⇄ 255	0–100%
126	Rojo	000 ⇄ 255	0–100%
127	Verde	000 ⇄ 255	0–100%
128	Azul	000 ⇄ 255	0–100%
129	Blanco	000 ⇄ 255	0–100%

**“Single Control”: Modo “Basic” (21-canal)**

Canal	Función	Valor	Porcentaje/Configuración
1	Movimiento panorámico	000 ⇔ 255	0–100%
2	Movimiento panorámico fino	000 ⇔ 255	0–100%
3	Inclinación	000 ⇔ 255	0–100%
4	Inclinación fino	000 ⇔ 255	0–100%
5	Velocidad de movimiento panorámico / inclinación	000 ⇔ 255	Rápido a lento
6	CTC	000	Sin función
		001 ⇔ 255	Temperature de color, 2800–10000 K
7	Macro Color	000	Sin función
		001 ⇔ 255	Color macros
8	Gobo	000	Sin función
		001 ⇔ 255	Gobos (indexado)
9	Macro LED / Programa automático	000 ⇔ 015	Sin función
		016 ⇔ 135	Macros LED
		136 ⇔ 255	Programas automáticos
10	Velocidad Macro LED / Programa automático	000 ⇔ 127	Rápido a lento
		128	Mantener
		129 ⇔ 255	Lento a rápido
11	Retardo LED integrado	000 ⇔ 255	Rápido a lento
12	Color de fondo	000	Sin función
		001 ⇔ 002	2700K R = 156 G = 118 B = 0 W = 63
		003 ⇔ 004	3200K R = 156 G = 141 B = 5 W = 89
		005 ⇔ 006	4200K R = 156 G = 141 B = 14 W = 255
		007 ⇔ 008	5600K R = 156 G = 207 B = 54 W = 255
		009 ⇔ 010	8000K R = 130 G = 255 B = 96 W = 255
		011	Azul R = 0 G = 0 B = 255 W = 0
		012 ⇔ 048	+ Verde R = 0 G = 0–255 B = 255 W = 0
		049	Cian R = 0 G = 255 B = 255 W = 0
		050 ⇔ 086	- Azul R = 0 G = 255 B = 255–0 W = 0
		087	Verde R = 0 G = 255 B = 0 W = 0
		088 ⇔ 124	+ Rojo R = 0–255 G = 255 B = 0 W = 0
		125	Amarillo R = 255 G = 255 B = 0 W = 0
		126 ⇔ 162	- Verde R = 255 G = 255–0 B = 0 W = 0
		163	Rojo R = 255 G = 0 B = 0 W = 0
		164 ⇔ 200	+ Azul R = 255 G = 0 B = 0–255 W = 0
		201	Magenta R = 255 G = 0 B = 255 W = 0
		202 ⇔ 238	- Rojo R = 255–0 G = 0 B = 255 W = 0
		239	Azul R = 0 G = 0 B = 255 W = 0
		240 ⇔ 247	Cambio de color, rápido a lento
248 ⇔ 255	Salto de color, rápido a lento		
13	Atenuador fondo	000 ⇔ 255	0–100%
14	Atenuador principal	000 ⇔ 255	0–100%

Canal	Función	Valor	Porcentaje/Configuración
15	Obturador	000 ⇄ 019	Apagado
		020 ⇄ 024	Encendido
		025 ⇄ 064	Estroboscopio, rápido a lento
		065 ⇄ 069	Encendido
		070 ⇄ 084	Estroboscopio 100–0%, rápido a lento
		085 ⇄ 089	Encendido
		090 ⇄ 104	Estroboscopio 0–100%, rápido a lento
		105 ⇄ 109	Encendido
		110 ⇄ 124	Estroboscopio aleatorio, rápido a lento
		125 ⇄ 129	Encendido
		130 ⇄ 144	Estroboscopio aleatorio 100–0%, rápido a lento
		145 ⇄ 149	Encendido
		150 ⇄ 164	Estroboscopio aleatorio 0–100%, rápido a lento
		165 ⇄ 169	Encendido
		170 ⇄ 184	Estroboscopio pulso, rápido a lento
		185 ⇄ 189	Encendido
		190 ⇄ 204	Estroboscopio pulso aleatorio, rápido a lento
205 ⇄ 209	Encendido		
210 ⇄ 224	Estroboscopio 0–100–0%, rápido a lento		
225 ⇄ 229	Encendido		
230 ⇄ 244	Estroboscopio pulso aleatorio, rápido a lento		
245 ⇄ 255	Encendido		
16	Zoom	000 ⇄ 255	Ancho a estrecho
17	Control	000 ⇄ 009	Sin función
		010 ⇄ 014	Blackout panorámica/Inclinación
		015 ⇄ 019	Reservado para usos futuros
		020 ⇄ 024	Modo de mezcla de color RGBW
		025 ⇄ 029	Modo de mezcla de color CMY (R=C, G=M, B=Y)
		030 ⇄ 049	Reservado para usos futuros
		050 ⇄ 054	Reiniciar movimiento panorámico
		055 ⇄ 059	Reiniciar inclinación
		060 ⇄ 064	Restablecer zoom
		065 ⇄ 069	Reservado para usos futuros
		070 ⇄ 074	Reiniciar todo
		075 ⇄ 109	Reservado para usos futuros
		110 ⇄ 114	Velocidad alta panorámica/Inclinación
		115 ⇄ 119	Velocidad baja panorámica/Inclinación
		120 ⇄ 124	Modo de ventilador lento
		125 ⇄ 129	Modo de ventilador al máximo
		130 ⇄ 134	Modo de ventilador automático
135 ⇄ 139	Modo de atenuador rápido		
140 ⇄ 144	Modo de atenuador lento		
145 ⇄ 255	Reservado para usos futuros		
18	Rojo principal	000 ⇄ 255	0–100%
19	Verde principal	000 ⇄ 255	0–100%
20	Azul principal	000 ⇄ 255	0–100%
21	Blanco principal	000 ⇄ 255	0–100%



**Valores “Dual Control” (Movement)**
**“Dual Control”: Modo “Advanced Movement” (27-canal)**

Canal	Función	Valor	Porcentaje/Configuración
1	Movimiento panorámico	000 ⇔ 255	0–100%
2	Movimiento panorámico fino	000 ⇔ 255	0–100%
3	Inclinación	000 ⇔ 255	0–100%
4	Inclinación fino	000 ⇔ 255	0–100%
5	Velocidad de movimiento panorámico / inclinación	000 ⇔ 255	Rápido a lento
6	CTC	000	Sin función
		001 ⇔ 255	Temperature de color, 2800–10000 K
7	Macro Color	000	Sin función
		001 ⇔ 255	Color macros
8	Gobo	000	Sin función
		001 ⇔ 255	Gobos (indexado)
9	Macro LED / Programa automático	000 ⇔ 015	Sin función
		016 ⇔ 135	Macros LED
		136 ⇔ 255	Programas automáticos
10	Velocidad Macro LED / Programa automático	000 ⇔ 127	Rápido a lento
		128	Mantener
		129 ⇔ 255	Lento a rápido
11	Retardo LED integrado	000 ⇔ 255	Rápido a lento
12	Color de fondo	000	Sin función
		001 ⇔ 002	2700K R = 156 G = 118 B = 0 W = 63
		003 ⇔ 004	3200K R = 156 G = 141 B = 5 W = 89
		005 ⇔ 006	4200K R = 156 G = 141 B = 14 W = 255
		007 ⇔ 008	5600K R = 156 G = 207 B = 54 W = 255
		009 ⇔ 010	8000K R = 130 G = 255 B = 96 W = 255
		011	Azul R = 0 G = 0 B = 255 W = 0
		012 ⇔ 048	+ Verde R = 0 G = 0–255 B = 255 W = 0
		049	Cian R = 0 G = 255 B = 255 W = 0
		050 ⇔ 086	- Azul R = 0 G = 255 B = 255–0 W = 0
		087	Verde R = 0 G = 255 B = 0 W = 0
		088 ⇔ 124	+ Rojo R = 0–255 G = 255 B = 0 W = 0
		125	Amarillo R = 255 G = 255 B = 0 W = 0
		126 ⇔ 162	- Verde R = 255 G = 255–0 B = 0 W = 0
		163	Rojo R = 255 G = 0 B = 0 W = 0
		164 ⇔ 200	+ Azul R = 255 G = 0 B = 0–255 W = 0
		201	Magenta R = 255 G = 0 B = 255 W = 0
		202 ⇔ 238	- Rojo R = 255–0 G = 0 B = 255 W = 0
		239	Azul R = 0 G = 0 B = 255 W = 0
		240 ⇔ 247	Cambio de color, rápido a lento
248 ⇔ 255	Salto de color, rápido a lento		
13	Atenuador fondo	000 ⇔ 255	0–100%
14	Atenuador fondo fino	000 ⇔ 255	0–100%
15	Atenuador principal	000 ⇔ 255	0–100%
16	Atenuador principal fino	000 ⇔ 255	0–100%

Canal	Función	Valor	Porcentaje/Configuración
17	Obturador	000 ⇄ 019	Apagado
		020 ⇄ 024	Encendido
		025 ⇄ 064	Estroboscopio, rápido a lento
		065 ⇄ 069	Encendido
		070 ⇄ 084	Estroboscopio 100–0%, rápido a lento
		085 ⇄ 089	Encendido
		090 ⇄ 104	Estroboscopio 0–100%, rápido a lento
		105 ⇄ 109	Encendido
		110 ⇄ 124	Estroboscopio aleatorio, rápido a lento
		125 ⇄ 129	Encendido
		130 ⇄ 144	Estroboscopio aleatorio 100–0%, rápido a lento
		145 ⇄ 149	Encendido
		150 ⇄ 164	Estroboscopio aleatorio 0–100%, rápido a lento
		165 ⇄ 169	Encendido
		170 ⇄ 184	Estroboscopio pulso, rápido a lento
		185 ⇄ 189	Encendido
		190 ⇄ 204	Estroboscopio pulso aleatorio, rápido a lento
205 ⇄ 209	Encendido		
210 ⇄ 224	Estroboscopio 0–100–0%, rápido a lento		
225 ⇄ 229	Encendido		
230 ⇄ 244	Estroboscopio pulso aleatorio, rápido a lento		
245 ⇄ 255	Encendido		
18	Zoom	000 ⇄ 255	Ancho a estrecho
19	Control	000 ⇄ 009	Sin función
		010 ⇄ 014	Blackout panorámica/Inclinación
		015 ⇄ 019	Reservado para usos futuros
		020 ⇄ 024	Modo de mezcla de color RGBW
		025 ⇄ 029	Modo de mezcla de color CMY (R=C, G=M, B=Y)
		030 ⇄ 049	Reservado para usos futuros
		050 ⇄ 054	Reiniciar movimiento panorámico
		055 ⇄ 059	Reiniciar inclinación
		060 ⇄ 064	Restablecer zoom
		065 ⇄ 069	Reservado para usos futuros
		070 ⇄ 074	Reiniciar todo
		075 ⇄ 109	Reservado para usos futuros
		110 ⇄ 114	Velocidad alta panorámica/Inclinación
		115 ⇄ 119	Velocidad baja panorámica/Inclinación
		120 ⇄ 124	Modo de ventilador lento
		125 ⇄ 129	Modo de ventilador al máximo
130 ⇄ 134	Modo de ventilador automático		
135 ⇄ 139	Modo de atenuador rápido		
140 ⇄ 144	Modo de atenuador lento		
145 ⇄ 255	Reservado para usos futuros		
20	Rojo principal	000 ⇄ 255	0–100%
21	Rojo principal fino	000 ⇄ 255	0–100%
22	Verde principal	000 ⇄ 255	0–100%
23	Verde principal fino	000 ⇄ 255	0–100%
24	Azul principal	000 ⇄ 255	0–100%
25	Azul principal fino	000 ⇄ 255	0–100%
26	Blanco principal	000 ⇄ 255	0–100%
27	Blanco principal fino	000 ⇄ 255	0–100%

**“Dual Control”: Modo “Standard Movement” (21-canal)**

Canal	Función	Valor	Porcentaje/Configuración
1	Movimiento panorámico	000 ⇔ 255	0–100%
2	Movimiento panorámico fino	000 ⇔ 255	0–100%
3	Inclinación	000 ⇔ 255	0–100%
4	Inclinación fino	000 ⇔ 255	0–100%
5	Velocidad de movimiento panorámico / inclinación	000 ⇔ 255	Rápido a lento
6	CTC	000	Sin función
		001 ⇔ 255	Temperature de color, 2800–10000 K
7	Macro Color	000	Sin función
		001 ⇔ 255	Color macros
8	Gobo	000	Sin función
		001 ⇔ 255	Gobos (indexado)
9	Macro LED / Programa automático	000 ⇔ 015	Sin función
		016 ⇔ 135	Macros LED
		136 ⇔ 255	Programas automáticos
10	Velocidad Macro LED / Programa automático	000 ⇔ 127	Rápido a lento
		128	Mantener
		129 ⇔ 255	Lento a rápido
11	Retardo LED integrado	000 ⇔ 255	Rápido a lento
12	Color de fondo	000	Sin función
		001 ⇔ 002	2700K R = 156 G = 118 B = 0 W = 63
		003 ⇔ 004	3200K R = 156 G = 141 B = 5 W = 89
		005 ⇔ 006	4200K R = 156 G = 141 B = 14 W = 255
		007 ⇔ 008	5600K R = 156 G = 207 B = 54 W = 255
		009 ⇔ 010	8000K R = 130 G = 255 B = 96 W = 255
		011	Azul R = 0 G = 0 B = 255 W = 0
		012 ⇔ 048	+ Verde R = 0 G = 0–255 B = 255 W = 0
		049	Cian R = 0 G = 255 B = 255 W = 0
		050 ⇔ 086	- Azul R = 0 G = 255 B = 255–0 W = 0
		087	Verde R = 0 G = 255 B = 0 W = 0
		088 ⇔ 124	+ Rojo R = 0–255 G = 255 B = 0 W = 0
		125	Amarillo R = 255 G = 255 B = 0 W = 0
		126 ⇔ 162	- Verde R = 255 G = 255–0 B = 0 W = 0
		163	Rojo R = 255 G = 0 B = 0 W = 0
		164 ⇔ 200	+ Azul R = 255 G = 0 B = 0–255 W = 0
		201	Magenta R = 255 G = 0 B = 255 W = 0
		202 ⇔ 238	- Rojo R = 255–0 G = 0 B = 255 W = 0
		239	Azul R = 0 G = 0 B = 255 W = 0
		240 ⇔ 247	Cambio de color, rápido a lento
248 ⇔ 255	Salto de color, rápido a lento		
13	Atenuador fondo	000 ⇔ 255	0–100%
14	Atenuador principal	000 ⇔ 255	0–100%

Canal	Función	Valor	Porcentaje/Configuración
15	Obturador	000 ⇄ 019	Apagado
		020 ⇄ 024	Encendido
		025 ⇄ 064	Estroboscopio, rápido a lento
		065 ⇄ 069	Encendido
		070 ⇄ 084	Estroboscopio 100–0%, rápido a lento
		085 ⇄ 089	Encendido
		090 ⇄ 104	Estroboscopio 0–100%, rápido a lento
		105 ⇄ 109	Encendido
		110 ⇄ 124	Estroboscopio aleatorio, rápido a lento
		125 ⇄ 129	Encendido
		130 ⇄ 144	Estroboscopio aleatorio 100–0%, rápido a lento
		145 ⇄ 149	Encendido
		150 ⇄ 164	Estroboscopio aleatorio 0–100%, rápido a lento
		165 ⇄ 169	Encendido
		170 ⇄ 184	Estroboscopio pulso, rápido a lento
		185 ⇄ 189	Encendido
		190 ⇄ 204	Estroboscopio pulso aleatorio, rápido a lento
205 ⇄ 209	Encendido		
210 ⇄ 224	Estroboscopio 0–100–0%, rápido a lento		
225 ⇄ 229	Encendido		
230 ⇄ 244	Estroboscopio pulso aleatorio, rápido a lento		
245 ⇄ 255	Encendido		
16	Zoom	000 ⇄ 255	Ancho a estrecho
17	Control	000 ⇄ 009	Sin función
		010 ⇄ 014	Blackout panorámica/Inclinación
		015 ⇄ 019	Reservado para usos futuros
		020 ⇄ 024	Modo de mezcla de color RGBW
		025 ⇄ 029	Modo de mezcla de color CMY (R=C, G=M, B=Y)
		030 ⇄ 049	Reservado para usos futuros
		050 ⇄ 054	Reiniciar movimiento panorámico
		055 ⇄ 059	Reiniciar inclinación
		060 ⇄ 064	Restablecer zoom
		065 ⇄ 069	Reservado para usos futuros
		070 ⇄ 074	Reiniciar todo
		075 ⇄ 109	Reservado para usos futuros
		110 ⇄ 114	Velocidad alta panorámica/Inclinación
		115 ⇄ 119	Velocidad baja panorámica/Inclinación
		120 ⇄ 124	Modo de ventilador lento
		125 ⇄ 129	Modo de ventilador al máximo
		130 ⇄ 134	Modo de ventilador automático
135 ⇄ 139	Modo de atenuador rápido		
140 ⇄ 144	Modo de atenuador lento		
145 ⇄ 255	Reservado para usos futuros		
18	Rojo principal	000 ⇄ 255	0–100%
19	Verde principal	000 ⇄ 255	0–100%
20	Azul principal	000 ⇄ 255	0–100%
21	Blanco principal	000 ⇄ 255	0–100%

**“Dual Control”: Modo “Basic Movement” (9-canal)**

Canal	Función	Valor	Porcentaje/Configuración
1	Movimiento panorámico	000 ⇔ 255	0–100%
2	Movimiento panorámico fino	000 ⇔ 255	0–100%
3	Inclinación	000 ⇔ 255	0–100%
4	Inclinación fino	000 ⇔ 255	0–100%
5	Velocidad de movimiento panorámico / inclinación	000 ⇔ 255	Rápido a lento
6	Atenuador principal	000 ⇔ 255	0–100%
7	Obturador	000 ⇔ 019	Apagado
		020 ⇔ 024	Encendido
		025 ⇔ 064	Estroboscopio, rápido a lento
		065 ⇔ 069	Encendido
		070 ⇔ 084	Estroboscopio 100–0%, rápido a lento
		085 ⇔ 089	Encendido
		090 ⇔ 104	Estroboscopio 0–100%, rápido a lento
		105 ⇔ 109	Encendido
		110 ⇔ 124	Estroboscopio aleatorio, rápido a lento
		125 ⇔ 129	Encendido
		130 ⇔ 144	Estroboscopio aleatorio 100–0%, rápido a lento
		145 ⇔ 149	Encendido
		150 ⇔ 164	Estroboscopio aleatorio 0–100%, rápido a lento
		165 ⇔ 169	Encendido
		170 ⇔ 184	Estroboscopio pulso, rápido a lento
		185 ⇔ 189	Encendido
190 ⇔ 204	Estroboscopio pulso aleatorio, rápido a lento		
205 ⇔ 209	Encendido		
210 ⇔ 224	Estroboscopio 0–100–0%, rápido a lento		
225 ⇔ 229	Encendido		
230 ⇔ 244	Estroboscopio pulso aleatorio, rápido a lento		
245 ⇔ 255	Encendido		
8	Zoom	000 ⇔ 255	Ancho a estrecho
9	Control	000 ⇔ 009	Sin función
		010 ⇔ 014	Blackout panorámica/Inclinación
		015 ⇔ 019	Reservado para usos futuros
		020 ⇔ 024	Modo de mezcla de color RGBW
		025 ⇔ 029	Modo de mezcla de color CMY (R=C, G=M, B=Y)
		030 ⇔ 049	Reservado para usos futuros
		050 ⇔ 054	Reiniciar movimiento panorámico
		055 ⇔ 059	Reiniciar inclinación
		060 ⇔ 064	Restablecer zoom
		065 ⇔ 069	Reservado para usos futuros
		070 ⇔ 074	Reiniciar todo
		075 ⇔ 109	Reservado para usos futuros
		110 ⇔ 114	Velocidad alta panorámica/Inclinación
		115 ⇔ 119	Velocidad baja panorámica/Inclinación
		120 ⇔ 124	Modo de ventilador lento
		125 ⇔ 129	Modo de ventilador al máximo
130 ⇔ 134	Modo de ventilador automático		
135 ⇔ 139	Modo de atenuador rápido		
140 ⇔ 144	Modo de atenuador lento		
145 ⇔ 255	Reservado para usos futuros		

**Valores “Dual Control” (Pixels)**

“Dual Control”: Modo “Advanced Pixels” (216-canal)

Canal	Función	Valor	Porcentaje/Configuración
1	Rojo 1	000 ⇄ 255	0–100%
2	Rojo fino 1	000 ⇄ 255	0–100%
3	Verde 1	000 ⇄ 255	0–100%
4	Verde fino 1	000 ⇄ 255	0–100%
5	Azul 1	000 ⇄ 255	0–100%
6	Azul fino 1	000 ⇄ 255	0–100%
7	Blanco 1	000 ⇄ 255	0–100%
8	Blanco fino 1	000 ⇄ 255	0–100%
9	Rojo 2	000 ⇄ 255	0–100%
10	Rojo fino 2	000 ⇄ 255	0–100%
11	Verde 2	000 ⇄ 255	0–100%
12	Verde fino 2	000 ⇄ 255	0–100%
13	Azul 2	000 ⇄ 255	0–100%
14	Azul fino 2	000 ⇄ 255	0–100%
15	Blanco 2	000 ⇄ 255	0–100%
16	Blanco fino 2	000 ⇄ 255	0–100%
17	Rojo 3	000 ⇄ 255	0–100%
18	Rojo fino 3	000 ⇄ 255	0–100%
19	Verde 3	000 ⇄ 255	0–100%
20	Verde fino 3	000 ⇄ 255	0–100%
21	Azul 3	000 ⇄ 255	0–100%
22	Azul fino 3	000 ⇄ 255	0–100%
23	Blanco 3	000 ⇄ 255	0–100%
24	Blanco fino 3	000 ⇄ 255	0–100%
25	Rojo 4	000 ⇄ 255	0–100%
26	Rojo fino 4	000 ⇄ 255	0–100%
27	Verde 4	000 ⇄ 255	0–100%
28	Verde fino 4	000 ⇄ 255	0–100%
29	Azul 4	000 ⇄ 255	0–100%
30	Azul fino 4	000 ⇄ 255	0–100%
31	Blanco 4	000 ⇄ 255	0–100%
32	Blanco fino 4	000 ⇄ 255	0–100%
33	Rojo 5	000 ⇄ 255	0–100%
34	Rojo fino 5	000 ⇄ 255	0–100%
35	Verde 5	000 ⇄ 255	0–100%
36	Verde fino 5	000 ⇄ 255	0–100%
37	Azul 5	000 ⇄ 255	0–100%
38	Azul fino 5	000 ⇄ 255	0–100%
39	Blanco 5	000 ⇄ 255	0–100%
40	Blanco fino 5	000 ⇄ 255	0–100%
41	Rojo 6	000 ⇄ 255	0–100%
42	Rojo fino 6	000 ⇄ 255	0–100%
43	Verde 6	000 ⇄ 255	0–100%
44	Verde fino 6	000 ⇄ 255	0–100%
45	Azul 6	000 ⇄ 255	0–100%
46	Azul fino 6	000 ⇄ 255	0–100%
47	Blanco 6	000 ⇄ 255	0–100%
48	Blanco fino 6	000 ⇄ 255	0–100%
49	Rojo 7	000 ⇄ 255	0–100%
50	Rojo fino 7	000 ⇄ 255	0–100%
51	Verde 7	000 ⇄ 255	0–100%
52	Verde fino 7	000 ⇄ 255	0–100%

Canal	Función	Valor	Porcentaje/Configuración
53	Azul 7	000 ⇔ 255	0-100%
54	Azul fino 7	000 ⇔ 255	0-100%
55	Blanco 7	000 ⇔ 255	0-100%
56	Blanco fino 7	000 ⇔ 255	0-100%
57	Rojo 8	000 ⇔ 255	0-100%
58	Rojo fino 8	000 ⇔ 255	0-100%
59	Verde 8	000 ⇔ 255	0-100%
60	Verde fino 8	000 ⇔ 255	0-100%
61	Azul 8	000 ⇔ 255	0-100%
62	Azul fino 8	000 ⇔ 255	0-100%
63	Blanco 8	000 ⇔ 255	0-100%
64	Blanco fino 8	000 ⇔ 255	0-100%
65	Rojo 9	000 ⇔ 255	0-100%
66	Rojo fino 9	000 ⇔ 255	0-100%
67	Verde 9	000 ⇔ 255	0-100%
68	Verde fino 9	000 ⇔ 255	0-100%
69	Azul 9	000 ⇔ 255	0-100%
70	Azul fino 9	000 ⇔ 255	0-100%
71	Blanco 9	000 ⇔ 255	0-100%
72	Blanco fino 9	000 ⇔ 255	0-100%
73	Rojo 10	000 ⇔ 255	0-100%
74	Rojo fino 10	000 ⇔ 255	0-100%
75	Verde 10	000 ⇔ 255	0-100%
76	Verde fino 10	000 ⇔ 255	0-100%
77	Azul 10	000 ⇔ 255	0-100%
78	Azul fino 10	000 ⇔ 255	0-100%
79	Blanco 10	000 ⇔ 255	0-100%
80	Blanco fino 10	000 ⇔ 255	0-100%
81	Rojo 11	000 ⇔ 255	0-100%
82	Rojo fino 11	000 ⇔ 255	0-100%
83	Verde 11	000 ⇔ 255	0-100%
84	Verde fino 11	000 ⇔ 255	0-100%
85	Azul 11	000 ⇔ 255	0-100%
86	Azul fino 11	000 ⇔ 255	0-100%
87	Blanco 11	000 ⇔ 255	0-100%
88	Blanco fino 11	000 ⇔ 255	0-100%
89	Rojo 12	000 ⇔ 255	0-100%
90	Rojo fino 12	000 ⇔ 255	0-100%
91	Verde 12	000 ⇔ 255	0-100%
92	Verde fino 12	000 ⇔ 255	0-100%
93	Azul 12	000 ⇔ 255	0-100%
94	Azul fino 12	000 ⇔ 255	0-100%
95	Blanco 12	000 ⇔ 255	0-100%
96	Blanco fino 12	000 ⇔ 255	0-100%
97	Rojo 13	000 ⇔ 255	0-100%
98	Rojo fino 13	000 ⇔ 255	0-100%
99	Verde 13	000 ⇔ 255	0-100%
100	Verde fino 13	000 ⇔ 255	0-100%
101	Azul 13	000 ⇔ 255	0-100%
102	Azul fino 13	000 ⇔ 255	0-100%
103	Blanco 13	000 ⇔ 255	0-100%
104	Blanco fino 13	000 ⇔ 255	0-100%
105	Rojo 14	000 ⇔ 255	0-100%
106	Rojo fino 14	000 ⇔ 255	0-100%
107	Verde 14	000 ⇔ 255	0-100%



Canal	Función	Valor	Porcentaje/Configuración
108	Verde fino 14	000 ⇄ 255	0–100%
109	Azul 14	000 ⇄ 255	0–100%
110	Azul fino 14	000 ⇄ 255	0–100%
111	Blanco 14	000 ⇄ 255	0–100%
112	Blanco fino 14	000 ⇄ 255	0–100%
113	Rojo 15	000 ⇄ 255	0–100%
114	Rojo fino 15	000 ⇄ 255	0–100%
115	Verde 15	000 ⇄ 255	0–100%
116	Verde fino 15	000 ⇄ 255	0–100%
117	Azul 15	000 ⇄ 255	0–100%
118	Azul fino 15	000 ⇄ 255	0–100%
119	Blanco 15	000 ⇄ 255	0–100%
120	Blanco fino 15	000 ⇄ 255	0–100%
121	Rojo 16	000 ⇄ 255	0–100%
122	Rojo fino 16	000 ⇄ 255	0–100%
123	Verde 16	000 ⇄ 255	0–100%
124	Verde fino 16	000 ⇄ 255	0–100%
125	Azul 16	000 ⇄ 255	0–100%
126	Azul fino 16	000 ⇄ 255	0–100%
127	Blanco 16	000 ⇄ 255	0–100%
128	Blanco fino 16	000 ⇄ 255	0–100%
129	Rojo 17	000 ⇄ 255	0–100%
130	Rojo fino 17	000 ⇄ 255	0–100%
131	Verde 17	000 ⇄ 255	0–100%
132	Verde fino 17	000 ⇄ 255	0–100%
133	Azul 17	000 ⇄ 255	0–100%
134	Azul fino 17	000 ⇄ 255	0–100%
135	Blanco 17	000 ⇄ 255	0–100%
136	Blanco fino 17	000 ⇄ 255	0–100%
137	Rojo 18	000 ⇄ 255	0–100%
138	Rojo fino 18	000 ⇄ 255	0–100%
139	Verde 18	000 ⇄ 255	0–100%
140	Verde fino 18	000 ⇄ 255	0–100%
141	Azul 18	000 ⇄ 255	0–100%
142	Azul fino 18	000 ⇄ 255	0–100%
143	Blanco 18	000 ⇄ 255	0–100%
144	Blanco fino 18	000 ⇄ 255	0–100%
145	Rojo 19	000 ⇄ 255	0–100%
146	Rojo fino 19	000 ⇄ 255	0–100%
147	Verde 19	000 ⇄ 255	0–100%
148	Verde fino 19	000 ⇄ 255	0–100%
149	Azul 19	000 ⇄ 255	0–100%
150	Azul fino 19	000 ⇄ 255	0–100%
151	Blanco 19	000 ⇄ 255	0–100%
152	Blanco fino 19	000 ⇄ 255	0–100%
153	Rojo 20	000 ⇄ 255	0–100%
154	Rojo fino 20	000 ⇄ 255	0–100%
155	Verde 20	000 ⇄ 255	0–100%
156	Verde fino 20	000 ⇄ 255	0–100%
157	Azul 20	000 ⇄ 255	0–100%
158	Azul fino 20	000 ⇄ 255	0–100%
159	Blanco 20	000 ⇄ 255	0–100%
160	Blanco fino 20	000 ⇄ 255	0–100%
161	Rojo 21	000 ⇄ 255	0–100%
162	Rojo fino 21	000 ⇄ 255	0–100%

Canal	Función	Valor	Porcentaje/Configuración
163	Verde 21	000 ⇔ 255	0-100%
164	Verde fino 21	000 ⇔ 255	0-100%
165	Azul 21	000 ⇔ 255	0-100%
166	Azul fino 21	000 ⇔ 255	0-100%
167	Blanco 21	000 ⇔ 255	0-100%
168	Blanco fino 21	000 ⇔ 255	0-100%
169	Rojo 22	000 ⇔ 255	0-100%
170	Rojo fino 22	000 ⇔ 255	0-100%
171	Verde 22	000 ⇔ 255	0-100%
172	Verde fino 22	000 ⇔ 255	0-100%
173	Azul 22	000 ⇔ 255	0-100%
174	Azul fino 22	000 ⇔ 255	0-100%
175	Blanco 22	000 ⇔ 255	0-100%
176	Blanco fino 22	000 ⇔ 255	0-100%
177	Rojo 23	000 ⇔ 255	0-100%
178	Rojo fino 23	000 ⇔ 255	0-100%
179	Verde 23	000 ⇔ 255	0-100%
180	Verde fino 23	000 ⇔ 255	0-100%
181	Azul 23	000 ⇔ 255	0-100%
182	Azul fino 23	000 ⇔ 255	0-100%
183	Blanco 23	000 ⇔ 255	0-100%
184	Blanco fino 23	000 ⇔ 255	0-100%
185	Rojo 24	000 ⇔ 255	0-100%
186	Rojo fino 24	000 ⇔ 255	0-100%
187	Verde 24	000 ⇔ 255	0-100%
188	Verde fino 24	000 ⇔ 255	0-100%
189	Azul 24	000 ⇔ 255	0-100%
190	Azul fino 24	000 ⇔ 255	0-100%
191	Blanco 24	000 ⇔ 255	0-100%
192	Blanco fino 24	000 ⇔ 255	0-100%
193	Rojo 25	000 ⇔ 255	0-100%
194	Rojo fino 25	000 ⇔ 255	0-100%
195	Verde 25	000 ⇔ 255	0-100%
196	Verde fino 25	000 ⇔ 255	0-100%
197	Azul 25	000 ⇔ 255	0-100%
198	Azul fino 25	000 ⇔ 255	0-100%
199	Blanco 25	000 ⇔ 255	0-100%
200	Blanco fino 25	000 ⇔ 255	0-100%
201	Rojo 26	000 ⇔ 255	0-100%
202	Rojo fino 26	000 ⇔ 255	0-100%
203	Verde 26	000 ⇔ 255	0-100%
204	Verde fino 26	000 ⇔ 255	0-100%
205	Azul 26	000 ⇔ 255	0-100%
206	Azul fino 26	000 ⇔ 255	0-100%
207	Blanco 26	000 ⇔ 255	0-100%
208	Blanco fino 26	000 ⇔ 255	0-100%
209	Rojo 27	000 ⇔ 255	0-100%
210	Rojo fino 27	000 ⇔ 255	0-100%
211	Verde 27	000 ⇔ 255	0-100%
212	Verde fino 27	000 ⇔ 255	0-100%
213	Azul 27	000 ⇔ 255	0-100%
214	Azul fino 27	000 ⇔ 255	0-100%
215	Blanco 27	000 ⇔ 255	0-100%
216	Blanco fino 27	000 ⇔ 255	0-100%

“Dual Control”: Modo “Standard Pixels” (108-canal)

Canal	Función	Valor	Porcentaje/Configuración
1	Rojo 1	000 ⇄ 255	0–100%
2	Verde 1	000 ⇄ 255	0–100%
3	Azul 1	000 ⇄ 255	0–100%
4	Blanco 1	000 ⇄ 255	0–100%
5	Rojo 2	000 ⇄ 255	0–100%
6	Verde 2	000 ⇄ 255	0–100%
7	Azul 2	000 ⇄ 255	0–100%
8	Blanco 2	000 ⇄ 255	0–100%
9	Rojo 3	000 ⇄ 255	0–100%
10	Verde 3	000 ⇄ 255	0–100%
11	Azul 3	000 ⇄ 255	0–100%
12	Blanco 3	000 ⇄ 255	0–100%
13	Rojo 4	000 ⇄ 255	0–100%
14	Verde 4	000 ⇄ 255	0–100%
15	Azul 4	000 ⇄ 255	0–100%
16	Blanco 4	000 ⇄ 255	0–100%
17	Rojo 5	000 ⇄ 255	0–100%
18	Verde 5	000 ⇄ 255	0–100%
19	Azul 5	000 ⇄ 255	0–100%
20	Blanco 5	000 ⇄ 255	0–100%
21	Rojo 6	000 ⇄ 255	0–100%
22	Verde 6	000 ⇄ 255	0–100%
23	Azul 6	000 ⇄ 255	0–100%
24	Blanco 6	000 ⇄ 255	0–100%
25	Rojo 7	000 ⇄ 255	0–100%
26	Verde 7	000 ⇄ 255	0–100%
27	Azul 7	000 ⇄ 255	0–100%
28	Blanco 7	000 ⇄ 255	0–100%
29	Rojo 8	000 ⇄ 255	0–100%
30	Verde 8	000 ⇄ 255	0–100%
31	Azul 8	000 ⇄ 255	0–100%
32	Blanco 8	000 ⇄ 255	0–100%
33	Rojo 9	000 ⇄ 255	0–100%
34	Verde 9	000 ⇄ 255	0–100%
35	Azul 9	000 ⇄ 255	0–100%
36	Blanco 9	000 ⇄ 255	0–100%
37	Rojo 10	000 ⇄ 255	0–100%
38	Verde 10	000 ⇄ 255	0–100%
39	Azul 10	000 ⇄ 255	0–100%
40	Blanco 10	000 ⇄ 255	0–100%
41	Rojo 11	000 ⇄ 255	0–100%
42	Verde 11	000 ⇄ 255	0–100%
43	Azul 11	000 ⇄ 255	0–100%
44	Blanco 11	000 ⇄ 255	0–100%
45	Rojo 12	000 ⇄ 255	0–100%
46	Verde 12	000 ⇄ 255	0–100%
47	Azul 12	000 ⇄ 255	0–100%
48	Blanco 12	000 ⇄ 255	0–100%
49	Rojo 13	000 ⇄ 255	0–100%
50	Verde 13	000 ⇄ 255	0–100%
51	Azul 13	000 ⇄ 255	0–100%
52	Blanco 13	000 ⇄ 255	0–100%
53	Rojo 14	000 ⇄ 255	0–100%
54	Verde 14	000 ⇄ 255	0–100%

Canal	Función	Valor	Porcentaje/Configuración
55	Azul 14	000 ⇔ 255	0-100%
56	Blanco 14	000 ⇔ 255	0-100%
57	Rojo 15	000 ⇔ 255	0-100%
58	Verde 15	000 ⇔ 255	0-100%
59	Azul 15	000 ⇔ 255	0-100%
60	Blanco 15	000 ⇔ 255	0-100%
61	Rojo 16	000 ⇔ 255	0-100%
62	Verde 16	000 ⇔ 255	0-100%
63	Azul 16	000 ⇔ 255	0-100%
64	Blanco 16	000 ⇔ 255	0-100%
65	Rojo 17	000 ⇔ 255	0-100%
66	Verde 17	000 ⇔ 255	0-100%
67	Azul 17	000 ⇔ 255	0-100%
68	Blanco 17	000 ⇔ 255	0-100%
69	Rojo 18	000 ⇔ 255	0-100%
70	Verde 18	000 ⇔ 255	0-100%
71	Azul 18	000 ⇔ 255	0-100%
72	Blanco 18	000 ⇔ 255	0-100%
73	Rojo 19	000 ⇔ 255	0-100%
74	Verde 19	000 ⇔ 255	0-100%
75	Azul 19	000 ⇔ 255	0-100%
76	Blanco 19	000 ⇔ 255	0-100%
77	Rojo 20	000 ⇔ 255	0-100%
78	Verde 20	000 ⇔ 255	0-100%
79	Azul 20	000 ⇔ 255	0-100%
80	Blanco 20	000 ⇔ 255	0-100%
81	Rojo 21	000 ⇔ 255	0-100%
82	Verde 21	000 ⇔ 255	0-100%
83	Azul 21	000 ⇔ 255	0-100%
84	Blanco 21	000 ⇔ 255	0-100%
85	Rojo 22	000 ⇔ 255	0-100%
86	Verde 22	000 ⇔ 255	0-100%
87	Azul 22	000 ⇔ 255	0-100%
88	Blanco 22	000 ⇔ 255	0-100%
89	Rojo 23	000 ⇔ 255	0-100%
90	Verde 23	000 ⇔ 255	0-100%
91	Azul 23	000 ⇔ 255	0-100%
92	Blanco 23	000 ⇔ 255	0-100%
93	Rojo 24	000 ⇔ 255	0-100%
94	Verde 24	000 ⇔ 255	0-100%
95	Azul 24	000 ⇔ 255	0-100%
96	Blanco 24	000 ⇔ 255	0-100%
97	Rojo 25	000 ⇔ 255	0-100%
98	Verde 25	000 ⇔ 255	0-100%
99	Azul 25	000 ⇔ 255	0-100%
100	Blanco 25	000 ⇔ 255	0-100%
101	Rojo 26	000 ⇔ 255	0-100%
102	Verde 26	000 ⇔ 255	0-100%
103	Azul 26	000 ⇔ 255	0-100%
104	Blanco 26	000 ⇔ 255	0-100%
105	Rojo 27	000 ⇔ 255	0-100%
106	Verde 27	000 ⇔ 255	0-100%
107	Azul 27	000 ⇔ 255	0-100%
108	Blanco 27	000 ⇔ 255	0-100%

“Dual Control”: Modo “Basic Pixels” (81-canal)

Canal	Función	Valor	Porcentaje/Configuración
1	Rojo 1	000 ⇄ 255	0–100%
2	Verde 1	000 ⇄ 255	0–100%
3	Azul 1	000 ⇄ 255	0–100%
4	Rojo 2	000 ⇄ 255	0–100%
5	Verde 2	000 ⇄ 255	0–100%
6	Azul 2	000 ⇄ 255	0–100%
7	Rojo 3	000 ⇄ 255	0–100%
8	Verde 3	000 ⇄ 255	0–100%
9	Azul 3	000 ⇄ 255	0–100%
10	Rojo 4	000 ⇄ 255	0–100%
11	Verde 4	000 ⇄ 255	0–100%
12	Azul 4	000 ⇄ 255	0–100%
13	Rojo 5	000 ⇄ 255	0–100%
14	Verde 5	000 ⇄ 255	0–100%
15	Azul 5	000 ⇄ 255	0–100%
16	Rojo 6	000 ⇄ 255	0–100%
17	Verde 6	000 ⇄ 255	0–100%
18	Azul 6	000 ⇄ 255	0–100%
19	Rojo 7	000 ⇄ 255	0–100%
20	Verde 7	000 ⇄ 255	0–100%
21	Azul 7	000 ⇄ 255	0–100%
22	Rojo 8	000 ⇄ 255	0–100%
23	Verde 8	000 ⇄ 255	0–100%
24	Azul 8	000 ⇄ 255	0–100%
25	Rojo 9	000 ⇄ 255	0–100%
26	Verde 9	000 ⇄ 255	0–100%
27	Azul 9	000 ⇄ 255	0–100%
28	Rojo 10	000 ⇄ 255	0–100%
29	Verde 10	000 ⇄ 255	0–100%
30	Azul 10	000 ⇄ 255	0–100%
31	Rojo 11	000 ⇄ 255	0–100%
32	Verde 11	000 ⇄ 255	0–100%
33	Azul 11	000 ⇄ 255	0–100%
34	Rojo 12	000 ⇄ 255	0–100%
35	Verde 12	000 ⇄ 255	0–100%
36	Azul 12	000 ⇄ 255	0–100%
37	Rojo 13	000 ⇄ 255	0–100%
38	Verde 13	000 ⇄ 255	0–100%
39	Azul 13	000 ⇄ 255	0–100%
40	Rojo 14	000 ⇄ 255	0–100%
41	Verde 14	000 ⇄ 255	0–100%
42	Azul 14	000 ⇄ 255	0–100%
43	Rojo 15	000 ⇄ 255	0–100%
44	Verde 15	000 ⇄ 255	0–100%
45	Azul 15	000 ⇄ 255	0–100%
46	Rojo 16	000 ⇄ 255	0–100%
47	Verde 16	000 ⇄ 255	0–100%
48	Azul 16	000 ⇄ 255	0–100%
49	Rojo 17	000 ⇄ 255	0–100%
50	Verde 17	000 ⇄ 255	0–100%
51	Azul 17	000 ⇄ 255	0–100%
52	Rojo 18	000 ⇄ 255	0–100%
53	Verde 18	000 ⇄ 255	0–100%
54	Azul 18	000 ⇄ 255	0–100%

Canal	Función	Valor	Porcentaje/Configuración
55	Rojo 19	000 ⇔ 255	0-100%
56	Verde 19	000 ⇔ 255	0-100%
57	Azul 19	000 ⇔ 255	0-100%
58	Rojo 20	000 ⇔ 255	0-100%
59	Verde 20	000 ⇔ 255	0-100%
60	Azul 20	000 ⇔ 255	0-100%
61	Rojo 21	000 ⇔ 255	0-100%
62	Verde 21	000 ⇔ 255	0-100%
63	Azul 21	000 ⇔ 255	0-100%
64	Rojo 22	000 ⇔ 255	0-100%
65	Verde 22	000 ⇔ 255	0-100%
66	Azul 22	000 ⇔ 255	0-100%
67	Rojo 23	000 ⇔ 255	0-100%
68	Verde 23	000 ⇔ 255	0-100%
69	Azul 23	000 ⇔ 255	0-100%
70	Rojo 24	000 ⇔ 255	0-100%
71	Verde 24	000 ⇔ 255	0-100%
72	Azul 24	000 ⇔ 255	0-100%
73	Rojo 25	000 ⇔ 255	0-100%
74	Verde 25	000 ⇔ 255	0-100%
75	Azul 25	000 ⇔ 255	0-100%
76	Rojo 26	000 ⇔ 255	0-100%
77	Verde 26	000 ⇔ 255	0-100%
78	Azul 26	000 ⇔ 255	0-100%
79	Rojo 27	000 ⇔ 255	0-100%
80	Verde 27	000 ⇔ 255	0-100%
81	Azul 27	000 ⇔ 255	0-100%

## A Propos de ce Manuel

Le manuel de référence (MR) du Maverick MK3 Wash reprend des informations de base sur ce produit notamment en matière de connexions, montage, options de menu et valeurs DMX. Téléchargez le Manuel d'Utilisation sur [www.chauvetprofessional.com](http://www.chauvetprofessional.com) pour de plus amples informations.

### Clause de Non-Responsabilité

Les informations et caractéristiques contenues dans ce manuel sont sujettes à changement sans préavis.

### Consignes de Sécurité

Ces consignes de sécurité contiennent des informations importantes en matière d'installation, d'utilisation et d'entretien.

- N'ouvrez PAS cet appareil. Il ne contient aucun composant susceptible d'être réparé par l'utilisateur.
- Ne regardez PAS la source lumineuse lorsque le produit fonctionne.
- Durant les périodes de non-utilisation, pour éviter toute usure inutile et pour prolonger la durée de vie, déconnectez entièrement l'appareil en le débranchant de l'alimentation électrique ou en coupant le disjoncteur.
- ATTENTION: Lorsque l'appareil est transféré d'un environnement à température extrême à un autre (par exemple d'un camion froid vers une salle de bal chaude et humide), de la condensation peut se former sur les composants électriques internes. Pour éviter de causer des dommages, laissez l'appareil s'acclimater entièrement au milieu environnant avant de le mettre sous tension.
- ATTENTION: le boîtier de ce produit peut s'avérer brûlant lors du fonctionnement.
- Montez toujours ce produit dans un endroit bien ventilé, à au moins 50 cm (20 pouces) des surfaces adjacentes.
- Ne laissez AUCUNE source inflammable dans un rayon de 50 cm du produit lorsque celui-ci fonctionne.
- Utilisez TOUJOURS un câble de sécurité lorsque vous montez ce produit en hauteur.
- N'utilisez PAS cet appareil en extérieur ou tout autre endroit où de la poussière, une chaleur excessive, de l'eau ou de l'humidité pourrait en affecter le fonctionnement. (IP20)
- N'utilisez PAS cet appareil si le boîtier, les lentilles ou les câbles vous semblent endommagés.
- Ne connectez ce produit NI à un gradateur NI à un rhéostat.
- Connectez UNIQUEMENT cet appareil à un circuit protégé et relié à la terre.
- N'utilisez QUE les lyres de suspension ou les poignées pour transporter cet appareil. Ne transportez jamais cet appareil par sa lyre asservie.
- En cas de sérieux problèmes de fonctionnement, arrêtez le système immédiatement.
- La température ambiante maximale doit être de 113° F (45° C). Ne le faites pas fonctionner à des températures plus élevées.

### Contact

En dehors des États-Unis, du Royaume-Uni et de l'Irlande, du Mexique, ou de Benelux contactez votre fournisseur si vous avez besoin d'assistance ou de retourner votre produit. Consultez le site [www.chauvetprofessional.com](http://www.chauvetprofessional.com) pour trouver nos coordonnées.

### Ce qui est Inclus

- Maverick MK3 Wash
- Un cordon d'alimentation Seetronic Powerkon
- 2 fixations Omega sans matériel de montage
- Une fiche de Garantie
- Un Manuel de Référence

### Alimentation CA

Ce produit est doté d'une alimentation universelle prenant en charge toute tension d'entrée comprise entre 100 et 240 VCA, 50/60 Hz.

### Prise CA

Connexion	Câble (États-Unis)	Câble (Europe)	Couleur de la Vis
Conducteur CA	Noir	Marron	Jaune/Cuivré
Neutre CA	Blanc	Bleu	Argenté
Terre CA	Vert/Jaune	Vert/Jaune	Vert



**Durant les périodes de non-utilisation, pour éviter toute usure inutile et pour prolonger la durée de vie, déconnectez-entièrement l'appareil en le débranchant de l'alimentation électrique ou en coupant le disjoncteur.**

### Remplacement du Fusible

1. Débranchez l'appareil de l'alimentation.
2. À l'aide d'un tournevis à tête plate, dévissez le couvercle du porte-fusible du boîtier.
3. Retirez le fusil obsolète et remplacez-le par un fusible en bon état de même type et ampérage.
4. Revissez le couvercle du porte-fusible et rebranchez l'unité.



## Connexions du signal

Vous pouvez relier le Maverick MK3 Wash à un contrôleur ou à un logiciel de contrôle à l'aide d'une connexion DMX, une connexion Ethernet ou les deux à la fois. En cas d'utilisation du Maverick MK3 Wash conjointement avec d'autres appareils compatibles avec les protocoles Art-Net™, sACN ou Kling-Net, vous gardez le contrôle individuel sur un même réseau. Veuillez consulter le manuel d'utilisation pour plus d'informations sur la connexion et la configuration de l'appareil avec ces signaux.

### Personnalités de contrôle

Le Maverick MK3 Wash utilise les protocoles DMX, Art-Net™, sACN, WDMX et Kling-Net pour ses personnalités de contrôle:

Single Control	Dual Control Movement	Dual Control Pixels
<b>Basic</b> (21-canal)	<b>Basic</b> (9-canal)	<b>Basic</b> (81-canal)
<b>Standard</b> (129-canal)	<b>Standard</b> (21-canal)	<b>Standard</b> (108-canal)
<b>Advanced</b> (243-canal)	<b>Advanced</b> (27-canal)	<b>Advanced</b> (216-canal)
<b>Tour</b> (297-canal)	Utilise DMX, Art-Net™ ou sACN	Utilise DMX, Art-Net™, sACN ou Kling-Net
Utilise DMX, Art-Net™, sACN ou WDMX		



En mode "Dual Control", les protocoles "Movement" et "Pixels" ne peuvent pas être identiques.

### Connexion DMX

Le Maverick MK3 Wash fonctionnera conjointement avec un jeu d'orgues DMX doté d'une connexion de donnée DMX à 3 ou 5 broches. Une introduction au DMX est à votre disposition sur [www.chauvetprofessional.com](http://www.chauvetprofessional.com).

### Connexion Art-Net™

Art-Net™ est un protocole Ethernet par TCP/IP qui permet de transférer de grandes quantités de données DMX512 en utilisant une connexion etherCON RJ45 sur un grand réseau. Une introduction au protocole Art-Net™ est disponible sur le site internet [www.chauvetprofessional.com](http://www.chauvetprofessional.com). Chauvet Professional recommande d'utiliser le mode Unicast pour de meilleurs résultats.

Art-Net™ conçu et droit d'auteur par Artistic Licence Holdings Ltd.

### Connexion sACN

Également appelé ANSI E1.31, le streaming ACN est un protocole Ethernet qui utilise les couches et le formatage de l'Architecture for Control Networks pour transporter des données DMX512 par IP ou tout autre réseau compatible ACN. L'ACN est maintenu par la PLASA (Professional Lighting and Sound Association).

### Connexion Kling-Net

Kling-Net est un protocole réseau qui permet la configuration automatique des appareils d'affichage en utilisant une connexion Ethernet etherCON RJ45. Référez-vous au manuel du logiciel ArKaos pour des instructions détaillées sur la programmation de cet appareil.



Pour un fonctionnement sans problème, le protocole ArKaos Kling-Net nécessite l'utilisation d'une carte réseau Ethernet gigabit (1000 Mbps) et d'un routeur.



Le protocole ArKaos Kling-Net permet uniquement de faire fonctionner les modes "Standard Pixels" ou "Basic Pixels".

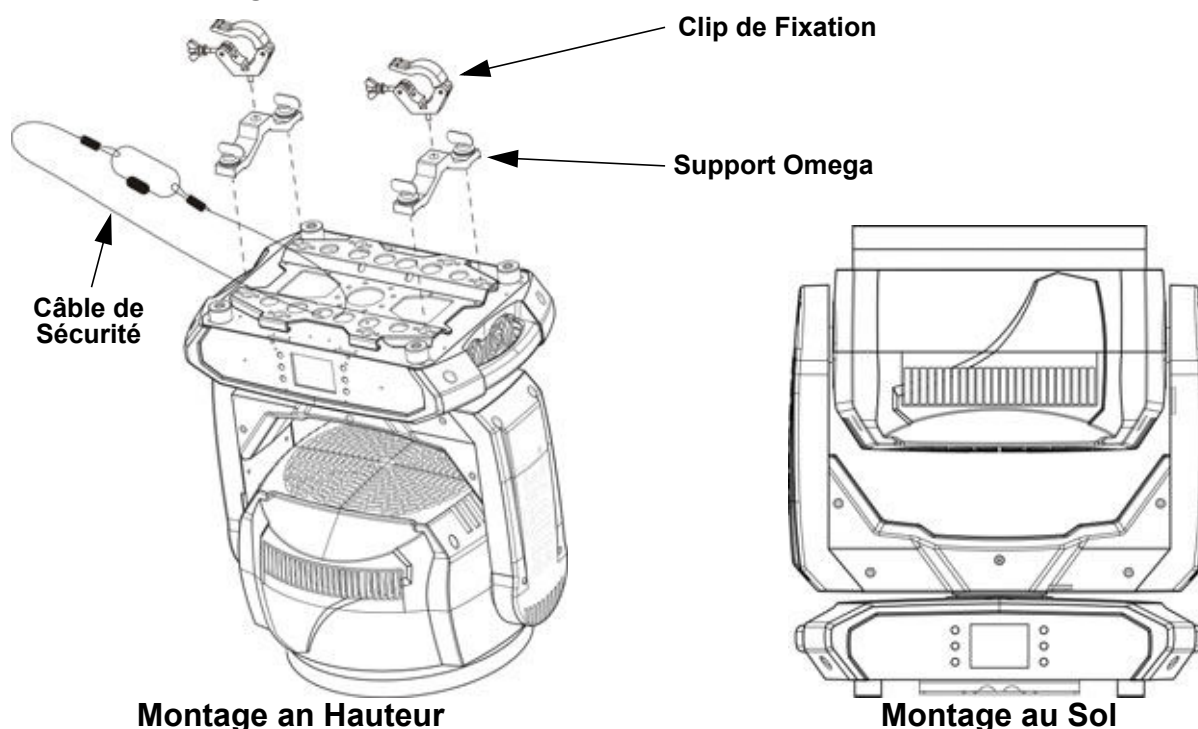
### RDM (Gestion des périphériques à distance)

Le protocole RDM (gestion des périphériques à distance) est un standard pour la communication bidirectionnelle des appareils dotés de fonctions DMX dans un câblage DMX existant. Le Maverick MK3 Wash supporte le protocole RDM permettant un retour d'information pour la surveillance de la température et des changements des options de menu. Veuillez télécharger le manuel de l'utilisateur à partir du site internet [www.chauvetprofessional.com](http://www.chauvetprofessional.com) pour plus de détails.

## Montage

Avant de monter cet appareil, lisez et assimilez les [Consignes de Sécurité](#). Utilisez au moins deux points de fixation par appareil. Veillez à ce que les fixations sont capables de supporter le poids de l'unité. Découvrez notre gamme de fixations Chauvet sur <http://trusst.com/products>.

### Schéma de Montage de l'appareil



## Panneau de commande tactile

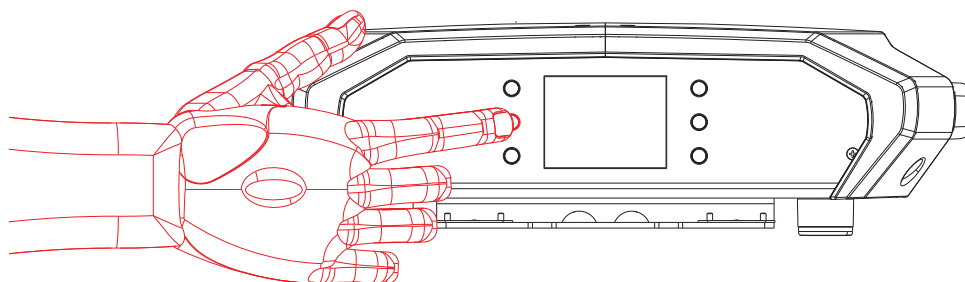
Le Maverick MK3 Wash est équipé d'un affichage avec un écran tactile ainsi que de 6 boutons de commande. L'écran tactile peut être verrouillé et calibré via l'option **Setup** (paramétrage) du menu.

### Description du Tableau de Commandes

Bouton	Fonction
< ↑ >	Permet de naviguer vers le haut dans la liste du menu ou d'incrémenter une valeur numérique dans une fonction
< ≡ >	Permet de sortir du menu ou de la fonction en cours
< ↓ >	Permet de naviguer vers le bas dans la liste du menu ou de décrémenter une valeur numérique dans une fonction
< ← >	Permet de se déplacer vers la gauche dans le menu
< ↩ >	Active l'entrée de menu actuellement affichée ou confirme la valeur actuellement sélectionnée pour la fonction en cours de sélection
< → >	Permet de se déplacer vers la droite dans le menu

### Affichage à piles

Appuyez sur la touche et maintenez-la enfoncée jusqu'à ce que l'écran du menu apparaisse (environ 15 secondes).



Plan du Menu

Niveaux de Programmation				Description		
<b>Control Settings</b>				<b>Control Settings Niveau Principal</b>		
<b>Control Settings</b>	<b>Single Control</b>	<b>DMX</b>	<b>Personality</b>	<b>Basic</b>	Définir la personnalité DMX (voir la section <a href="#">Personnalités de contrôle</a> )	
				<b>Standard</b>		
				<b>Advanced</b>		
				<b>Tour</b>		
				<b>Start Address</b>	<b>0-512</b>	Définir l'adresse DMX de départ
		<b>ArtNet</b>	<b>Personality</b>	<b>Basic</b>	Définir la personnalité Art-Net™ (voir la section <a href="#">Personnalités de contrôle</a> )	
				<b>Standard</b>		
				<b>Advanced</b>		
				<b>Tour</b>		
				<b>Start Address</b>	<b>0-512</b>	Définir l'adresse Art-Net™ de départ
				<b>Universe</b>	<b>0-255</b>	Définir l'univers Art-Net™
		<b>sACN</b>	<b>Personality</b>	<b>Basic</b>	Définir la personnalité sACN (voir la section <a href="#">Personnalités de contrôle</a> )	
	<b>Standard</b>					
	<b>Advanced</b>					
	<b>Tour</b>					
			<b>Start Address</b>	<b>0-512</b>	Définir l'adresse sACN de départ	
			<b>Universe</b>	<b>0-255</b>	Définir l'univers sACN	
	<b>WDMX</b>	<b>Personality</b>	<b>Basic</b>	Définir la personnalité WDMX (voir la section <a href="#">Personnalités de contrôle</a> )		
			<b>Standard</b>			
			<b>Advanced</b>			
<b>Tour</b>						
		<b>Start Address</b>	<b>0-512</b>	Définir l'adresse WDMX de départ		
<b>Dual Control</b>	<b>Movement</b>	<b>DMX</b>	<b>Personality</b>	<b>Basic</b>	Définir la personnalité DMX (voir la section <a href="#">Personnalités de contrôle</a> )	
				<b>Standard</b>		
				<b>Advanced</b>		
				<b>Tour</b>		
				<b>Start Address</b>	<b>0-512</b>	Définir l'adresse DMX de départ
		<b>ArtNet</b>	<b>Personality</b>	<b>Basic</b>	Définir la personnalité Art-Net™ (voir la section <a href="#">Personnalités de contrôle</a> )	
				<b>Standard</b>		
				<b>Advanced</b>		
				<b>Tour</b>		
				<b>Start Address</b>	<b>0-512</b>	Définir l'adresse Art-Net™ de départ
				<b>Universe</b>	<b>0-255</b>	Définir l'univers Art-Net™
		<b>sACN</b>	<b>Personality</b>	<b>Basic</b>	Définir la personnalité sACN (voir la section <a href="#">Personnalités de contrôle</a> )	
	<b>Standard</b>					
	<b>Advanced</b>					
	<b>Tour</b>					
			<b>Start Address</b>	<b>0-512</b>	Définir l'adresse sACN de départ	
			<b>Universe</b>	<b>0-255</b>	Définir l'univers sACN	
	<b>Pixels</b>	<b>DMX</b>	<b>Personality</b>	<b>Basic</b>	Définir la personnalité DMX (voir la section <a href="#">Personnalités de contrôle</a> )	
				<b>Standard</b>		
				<b>Advanced</b>		
				<b>Tour</b>		
				<b>Start Address</b>	<b>0-512</b>	Définir l'adresse DMX de départ
		<b>ArtNet</b>	<b>Personality</b>	<b>Basic</b>	Définir la personnalité Art-Net™ (voir la section <a href="#">Personnalités de contrôle</a> )	
				<b>Standard</b>		
<b>Advanced</b>						
<b>Tour</b>						
			<b>Start Address</b>	<b>0-512</b>	Définir l'adresse Art-Net™ de départ	
			<b>Universe</b>	<b>0-255</b>	Définir l'univers Art-Net™	
<b>sACN</b>		<b>Personality</b>	<b>Basic</b>	Définir la personnalité sACN (voir la section <a href="#">Personnalités de contrôle</a> )		
	<b>Standard</b>					
	<b>Advanced</b>					
	<b>Tour</b>					
		<b>Start Address</b>	<b>0-512</b>	Définir l'adresse sACN de départ		
		<b>Universe</b>	<b>0-255</b>	Définir l'univers sACN		
<b>KlingNet</b>	<b>Personality</b>	<b>Basic</b>	Définir la personnalité Kling-Net (voir la section <a href="#">Personnalités de contrôle</a> )			
		<b>Standard</b>				

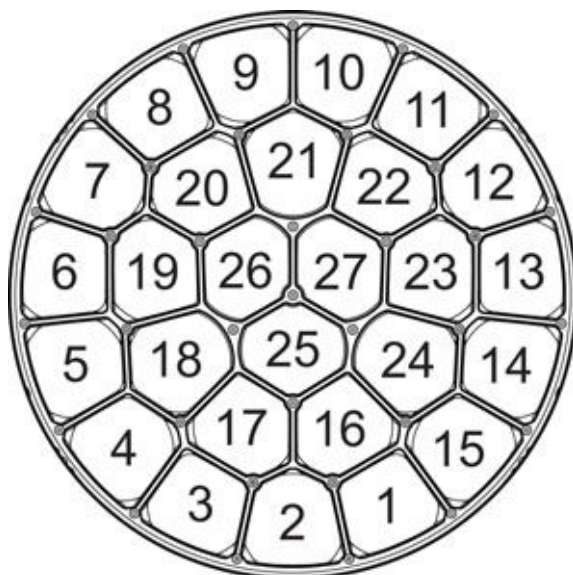
Niveau de Programmation			Description	
<b>Test Mode</b>			<b>Test Mode Niveau Principal</b>	
<b>Test Mode</b>	<b>Auto Test</b>		Effectuer un test automatique de toutes les fonctions	
	<b>Manual Test</b>	<b>Pan</b>	<b>000–255</b>	Contrôler et tester manuellement chaque paramètre depuis le panneau de commande
		<b>Tilt</b>		
		<b>P/T Speed</b>		
		<b>Red</b>		
		<b>Green</b>		
		<b>Blue</b>		
		<b>White</b>		
		<b>CTC</b>		
		<b>Color</b>		
		<b>Pattern</b>		
		<b>LED Macro</b>		
		<b>LED Ma. Speed</b>		
		<b>LED Ma. Fade</b>		
		<b>Background</b>		
<b>Background Dim.</b>				
<b>Dimmer</b>				
<b>Shutter</b>				
<b>Function</b>				
<b>Zoom</b>				
<b>Setup</b>			<b>Setup Niveau Principal</b>	
<b>Setup</b>	<b>Network Settings</b>	<b>IP Mode</b>	<b>Manual</b>	Réglage manuel de l'adresse IP
		<b>IP</b>	<b>DHCP</b>	L'adresse IP est définie par le réseau
			<b>Static</b>	L'adresse IP est définie par l'appareil
			----	Réglage de l'adresse IP en mode manuel
	<b>SubMask</b>	----	Réglage du masque de sous-réseau en mode manuel	
		----		
	<b>Pan Reverse</b>	<b>NO</b>	Fonctionnement normal du pan	
		<b>YES</b>	Fonctionnement inversé du pan	
	<b>Tilt Reverse</b>	<b>NO</b>	Fonctionnement normal du tilt	
		<b>YES</b>	Fonctionnement inversé du tilt	
	<b>Zoom Reverse</b>	<b>NO</b>	Zoom normal	
		<b>YES</b>	Zoom inverse	
	<b>Screen Reverse</b>	<b>NO</b>	L'écran s'affiche à normal	
		<b>YES</b>	L'écran s'affiche à l'envers	
		<b>AUTO</b>	Orientation automatique de l'écran	
	<b>Pan Angle</b>	<b>540</b>	Plage d'angle de pan: 540°	
		<b>360</b>	Plage d'angle de pan: 360°	
		<b>180</b>	Plage d'angle de pan: 180°	
	<b>Tilt Angle</b>	<b>540</b>	Plage d'angle de tilt: 540°	
		<b>270</b>	Plage d'angle de tilt: 270°	
<b>180</b>		Plage d'angle de tilt: 180°		
<b>BL. O. P/T Move</b>	<b>NO</b>	Pas de noir général pendant le pan/tilt		
	<b>YES</b>	Noir général pendant le pan/tilt		
<b>Calibration</b>	<b>NO</b>	Conserver les paramètres actuels		
	<b>YES</b>	Calibration de l'écran tactile		
<b>Touchscreen Lock</b>	<b>NO</b>	L'écran réponds au toucher		
	<b>YES</b>	L'écran ne réponds pas au toucher		
<b>Lock Screen</b>	<b>NO</b>	Boutons de verrouillage et écran tactile		
	<b>YES</b>	Mot de Passe: 0920		

Niveau de Programmation		Description	
<b>Setup (suite)</b>		<b>Setup Niveau Principal (suite)</b>	
<b>Swap XY</b>	<b>NO</b>	Ne pas permuter le pan et le tilt	
	<b>YES</b>	Le pan contrôle le tilt et inversement	
<b>XY Mode</b>	<b>Slow</b>	Pan et tilt lents	
	<b>Fast</b>	Pan et tilt rapides	
<b>WDMX Reset</b>	<b>NO</b>	Ne pas réinitialiser le WDMX	
	<b>YES</b>	Réinitialiser le WDMX	
<b>Backlight Timer</b>	<b>30S</b>	L'affichage s'éteint après 30 secondes	
	<b>1M</b>	L'affichage s'éteint après 1 minute	
	<b>5M</b>	L'affichage s'éteint après 5 minutes	
	<b>ON</b>	L'affichage reste allumé	
<b>Loss of Data</b>	<b>Hold</b>	Conservation du dernier signal reçu	
	<b>Close</b>	Extinction de l'unité	
<b>Fans</b>	<b>Auto</b>	La vitesse du ventilateur s'adapte à la température de l'appareil	
	<b>Full</b>	La vitesse du ventilateur est réglée sur la vitesse haute	
	<b>ECO</b>	Mode silencieux	
<b>C Mixing Mode</b>	<b>RGBW</b>	Mélange de couleur RGBW	
	<b>CMY</b>	Mélange de couleur CMY (R=C, G=M, B=Y)	
<b>Dimmer Curve</b>	<b>Linear</b>	Définir la courbe de gradation	
	<b>Square</b>		
	<b>I Squa</b>		
	<b>SCurve</b>		
<b>Dimmer Speed</b>	<b>Smooth</b>	Modifier la vitesse de gradation	
	<b>Fast</b>		
<b>PWM Option</b>	<b>600Hz</b>	Permet de sélectionner la fréquence de sortie MLI	
	<b>1200Hz</b>		
	<b>2000Hz</b>		
	<b>4000Hz</b>		
	<b>6000Hz</b>		
	<b>15000Hz</b>		
<b>Color Balance</b>	<b>Red</b>	<b>100–255</b>	
	<b>Green</b>		
	<b>Blue</b>		
	<b>White</b>		
<b>Preset Select</b>	<b>PRESET A</b>	Options de menu des préréglages enregistrés	
	<b>PRESET B</b>		
	<b>PRESET C</b>		
<b>Preset Sync</b>	<b>NO</b>	Permet de transférer les options de menu des préréglages enregistrés vers d'autres appareils Maverick MK3 Wash de la chaîne DMX en guirlande	
	<b>YES</b>		
<b>Reset Function</b>	<b>Pan</b>	<b>NO</b>	Réinitialiser chaque fonction de manière individuelle ou toutes les fonctions à partir du démarrage
		<b>YES</b>	
	<b>Tilt</b>	<b>NO</b>	
		<b>YES</b>	
<b>All</b>	<b>NO</b>		
	<b>YES</b>		
<b>Factory Settings</b>	<b>NO</b>	Réinitialisation aux paramètres par défaut d'usine	
	<b>YES</b>		

Niveau de Programmation		Description
<b>Sys Info</b>		<b>Sys Info Niveau Principal</b>
<b>Sys Info</b>	<b>Ver</b>	<b>V_</b>
	<b>Running Mode</b>	<b>---</b>
	<b>Address</b>	<b>---</b>
	<b>Temperature</b>	<b>---</b>
	<b>Fixture Hours</b>	<b>-----</b>
	<b>IP</b>	<b>---:---:---:---</b>
	<b>SubMask</b>	<b>---:---:---:---</b>
	<b>MAC</b>	<b>---:---:---:---</b>
<b>Fixture Information</b>		
		Affiche la version du micrologiciel
		Affiche le mode d'exécution actuel
		Affiche l'adresse de départ actuelle
		Affiche la température actuelle de l'appareil en °C
		Affiche le nombre d'heure pendant lequel l'appareil est resté allumé
		Affiche l'adresse IP actuelle
		Affiche le masque de sous-réseau actuel
		Affiche l'adresse MAC actuelle

Niveau de Programmation			Description
<b>Sys Info (suite)</b>			<b>Sys Info Niveau Principal (suite)</b>
<b>Fan Information</b>	<b>Head Fan1 Speed</b>	----	Affiche la vitesse des ventilateurs de tête en tr/min
	<b>Head Fan2 Speed</b>	----	
<b>Error Information</b>	<b>No Error!*</b>		Affiche n'importe erreurs ou "No Error!"
<b>Sys Info (suite)</b>  <b>Channel Information</b>	<b>Frequency</b>		Affiche toutes les valeurs actuelles des signaux en entrée, 000 à 255
	<b>Pan</b>		
	<b>Pan Fine</b>		
	<b>Tilt</b>		
	<b>Tilt Fine</b>		
	<b>CTC</b>		
	<b>Color</b>		
	<b>Pattern</b>		
	<b>LED Macro</b>		
	<b>LED Ma. Speed</b>		
	<b>LED Ma. Fine</b>		
	<b>Background</b>		
	<b>Background Dim.</b>		
	<b>Bg. Dim. Fine</b>	---	
	<b>Dimmer</b>		
	<b>Dimmer Fine</b>		
	<b>Shutter</b>		
	<b>Zoom</b>		
	<b>Function</b>		
	<b>Red (tout, 1-27)</b>		
	<b>Red Fine (tout, 1-27)</b>		
	<b>Green (tout, 1-27)</b>		
	<b>Green fine (tout, 1-27)</b>		
	<b>Blue (tout, 1-27)</b>		
	<b>Blue Fine (tout, 1-27)</b>		
	<b>White (tout, 1-27)</b>		
	<b>White Fine (tout, 1-27)</b>		

Zones pour le contrôle de pixels





Valeurs “Single Control”

“Single Control”: Mode “Tour” (297-canal)

Canal	Fonction	Valeur	Pourcentage/Paramétrage
1	Pan (balayage)	000 ⇄ 255	0–100%
2	Pan fin	000 ⇄ 255	0–100%
3	Tilt (basculement)	000 ⇄ 255	0–100%
4	Tilt Fine	000 ⇄ 255	0–100%
5	Vitesse Pan/Tilt	000 ⇄ 255	Rapide à lent
6	CTC	000	Pas de fonction
		001 ⇄ 255	Température de couleur, 2800–10000 K
7	Macro de Couleur	000	Pas de fonction
		001 ⇄ 255	Macros de couleurs
8	Gobo	000	Pas de fonction
		001 ⇄ 255	Gobos (indexé)
9	Macro LED / Programme Automatique	000 ⇄ 015	Pas de fonction
		016 ⇄ 135	Macros LED
		136 ⇄ 255	Programmes automatique
10	Vitesse pour Macro LED / Programme Automatique	000 ⇄ 127	Rapide à lent
		128	Attente
		129 ⇄ 255	Lent à rapide
11	Décalage interne LED	000 ⇄ 255	Rapide à lent
12	Couleur de l'arrière plan	000	Pas de fonction
		001 ⇄ 002	2700K R = 156 G = 118 B = 0 W = 63
		003 ⇄ 004	3200K R = 156 G = 141 B = 5 W = 89
		005 ⇄ 006	4200K R = 156 G = 141 B = 14 W = 255
		007 ⇄ 008	5600K R = 156 G = 207 B = 54 W = 255
		009 ⇄ 010	8000K R = 130 G = 255 B = 96 W = 255
		011	Bleu R = 0 G = 0 B = 255 W = 0
		012 ⇄ 048	+ Vert R = 0 G = 0–255 B = 255 W = 0
		049	Cyan R = 0 G = 255 B = 255 W = 0
		050 ⇄ 086	- Bleu R = 0 G = 255 B = 255–0 W = 0
		087	Vert R = 0 G = 255 B = 0 W = 0
		088 ⇄ 124	+ Rouge R = 0–255 G = 255 B = 0 W = 0
		125	Jaune R = 255 G = 255 B = 0 W = 0
		126 ⇄ 162	- Vert R = 255 G = 255–0 B = 0 W = 0
		163	Rouge R = 255 G = 0 B = 0 W = 0
		164 ⇄ 200	+ Bleu R = 255 G = 0 B = 0–255 W = 0
		201	Magenta R = 255 G = 0 B = 255 W = 0
		202 ⇄ 238	- Rouge R = 255–0 G = 0 B = 255 W = 0
239	Bleu R = 0 G = 0 B = 255 W = 0		
240 ⇄ 247	Changement de couleur, rapide à lent		
248 ⇄ 255	Saut de couleur, rapide à lent		
13	Gradateur de l'arrière plan	000 ⇄ 255	0–100%
14	Gradateur fin de l'arrière plan	000 ⇄ 255	0–100%
15	Gradateur principal	000 ⇄ 255	0–100%
16	Gradateur fin principal	000 ⇄ 255	0–100%

Canal	Fonction	Valeur	Pourcentage/Paramétrage
17	Obturateur	000 ⇔ 019	Arrêt
		020 ⇔ 024	Marche
		025 ⇔ 064	Stroboscope, rapide à lent
		065 ⇔ 069	Marche
		070 ⇔ 084	Stroboscope 100–0%, rapide à lent
		085 ⇔ 089	Marche
		090 ⇔ 104	Stroboscope 0–100%, rapide à lent
		105 ⇔ 109	Marche
		110 ⇔ 124	Stroboscope aléatoire, rapide à lent
		125 ⇔ 129	Marche
		130 ⇔ 144	Stroboscope aléatoire 100–0%, rapide à lent
		145 ⇔ 149	Marche
		150 ⇔ 164	Stroboscope aléatoire 0–100%, rapide à lent
		165 ⇔ 169	Marche
		170 ⇔ 184	Stroboscope pulsation, rapide à lent
		185 ⇔ 189	Marche
		190 ⇔ 204	Stroboscope pulsation aléatoire, rapide à lent
205 ⇔ 209	Marche		
210 ⇔ 224	Stroboscope 0–100–0%, rapide à lent		
225 ⇔ 229	Marche		
230 ⇔ 244	Stroboscope pulsation aléatoire, rapide à lent		
245 ⇔ 255	Marche		
18	Zoom	000 ⇔ 255	Large à étroit
19	Contrôle	000 ⇔ 009	Pas de fonction
		010 ⇔ 014	Noir général pendant le pan/tilt
		015 ⇔ 019	Réservé pour utilisation future
		020 ⇔ 024	Mode de mélange de couleur RGBW
		025 ⇔ 029	Mode de mélange de couleur CMY (R=C, G=M, B=Y)
		030 ⇔ 049	Réservé pour utilisation future
		050 ⇔ 054	Réinitialisation du pan
		055 ⇔ 059	Réinitialisation du tilt
		060 ⇔ 064	Réinitialisation zoom
		065 ⇔ 069	Réservé pour utilisation future
		070 ⇔ 074	Réinitialisation totale
		075 ⇔ 109	Réservé pour utilisation future
		110 ⇔ 114	Vitesse rapide de pan/tilt
		115 ⇔ 119	Vitesse lente de pan/tilt
		120 ⇔ 124	Mode de vitesse ventilateur lente
		125 ⇔ 129	Mode de vitesse ventilateur plein régime
130 ⇔ 134	Mode de vitesse ventilateur automatique		
135 ⇔ 139	Mode de vitesse de gradation rapide		
140 ⇔ 144	Mode de vitesse de gradation lente		
145 ⇔ 255	Réservé pour utilisation future		
20	Rouge principal	000 ⇔ 255	0–100%
21	Rouge fin fin principal	000 ⇔ 255	0–100%
22	Vert principal	000 ⇔ 255	0–100%
23	Vert fin principal	000 ⇔ 255	0–100%
24	Bleu principal	000 ⇔ 255	0–100%
25	Bleu fin principal	000 ⇔ 255	0–100%
26	Blanc principal	000 ⇔ 255	0–100%
27	Blanc fin principal	000 ⇔ 255	0–100%

Canal	Fonction	Valeur	Pourcentage/Paramétrage
28	Gradateur 1	000 ⇄ 255	0–100%
29	Gradateur fin 1	000 ⇄ 255	0–100%
30	Rouge 1	000 ⇄ 255	0–100%
31	Rouge fin 1	000 ⇄ 255	0–100%
32	Vert 1	000 ⇄ 255	0–100%
33	Vert fin 1	000 ⇄ 255	0–100%
34	Bleu 1	000 ⇄ 255	0–100%
35	Bleu fin 1	000 ⇄ 255	0–100%
36	Blanc 1	000 ⇄ 255	0–100%
37	Blanc fin 1	000 ⇄ 255	0–100%
38	Gradateur 2	000 ⇄ 255	0–100%
39	Gradateur fin 2	000 ⇄ 255	0–100%
40	Rouge 2	000 ⇄ 255	0–100%
41	Rouge fin 2	000 ⇄ 255	0–100%
42	Vert 2	000 ⇄ 255	0–100%
43	Vert fin 2	000 ⇄ 255	0–100%
44	Bleu 2	000 ⇄ 255	0–100%
45	Bleu fin 2	000 ⇄ 255	0–100%
46	Blanc 2	000 ⇄ 255	0–100%
47	Blanc fin 2	000 ⇄ 255	0–100%
48	Gradateur 3	000 ⇄ 255	0–100%
49	Gradateur fin 3	000 ⇄ 255	0–100%
50	Rouge 3	000 ⇄ 255	0–100%
51	Rouge fin 3	000 ⇄ 255	0–100%
52	Vert 3	000 ⇄ 255	0–100%
53	Vert fin 3	000 ⇄ 255	0–100%
54	Bleu 3	000 ⇄ 255	0–100%
55	Bleu fin 3	000 ⇄ 255	0–100%
56	Blanc 3	000 ⇄ 255	0–100%
57	Blanc fin 3	000 ⇄ 255	0–100%
58	Gradateur 4	000 ⇄ 255	0–100%
59	Gradateur fin 4	000 ⇄ 255	0–100%
60	Rouge 4	000 ⇄ 255	0–100%
61	Rouge fin 4	000 ⇄ 255	0–100%
62	Vert 4	000 ⇄ 255	0–100%
63	Vert fin 4	000 ⇄ 255	0–100%
64	Bleu 4	000 ⇄ 255	0–100%
65	Bleu fin 4	000 ⇄ 255	0–100%
66	Blanc 4	000 ⇄ 255	0–100%
67	Blanc fin 4	000 ⇄ 255	0–100%
68	Gradateur 5	000 ⇄ 255	0–100%
69	Gradateur fin 5	000 ⇄ 255	0–100%
70	Rouge 5	000 ⇄ 255	0–100%
71	Rouge fin 5	000 ⇄ 255	0–100%
72	Vert 5	000 ⇄ 255	0–100%
73	Vert fin 5	000 ⇄ 255	0–100%
74	Bleu 5	000 ⇄ 255	0–100%
75	Bleu fin 5	000 ⇄ 255	0–100%
76	Blanc 5	000 ⇄ 255	0–100%
77	Blanc fin 5	000 ⇄ 255	0–100%
78	Gradateur 6	000 ⇄ 255	0–100%
79	Gradateur fin 6	000 ⇄ 255	0–100%
80	Rouge 6	000 ⇄ 255	0–100%
81	Rouge fin 6	000 ⇄ 255	0–100%

Canal	Fonction	Valeur	Pourcentage/Paramétrage
82	Vert 6	000 ⇔ 255	0-100%
83	Vert fin 6	000 ⇔ 255	0-100%
84	Bleu 6	000 ⇔ 255	0-100%
85	Bleu fin 6	000 ⇔ 255	0-100%
86	Blanc 6	000 ⇔ 255	0-100%
87	Blanc fin 6	000 ⇔ 255	0-100%
88	Gradateur 7	000 ⇔ 255	0-100%
89	Gradateur fin 7	000 ⇔ 255	0-100%
90	Rouge 7	000 ⇔ 255	0-100%
91	Rouge fin 7	000 ⇔ 255	0-100%
92	Vert 7	000 ⇔ 255	0-100%
93	Vert fin 7	000 ⇔ 255	0-100%
94	Bleu 7	000 ⇔ 255	0-100%
95	Bleu fin 7	000 ⇔ 255	0-100%
96	Blanc 7	000 ⇔ 255	0-100%
97	Blanc fin 7	000 ⇔ 255	0-100%
98	Gradateur 8	000 ⇔ 255	0-100%
99	Gradateur fin 8	000 ⇔ 255	0-100%
100	Rouge 8	000 ⇔ 255	0-100%
101	Rouge fin 8	000 ⇔ 255	0-100%
102	Vert 8	000 ⇔ 255	0-100%
103	Vert fin 8	000 ⇔ 255	0-100%
104	Bleu 8	000 ⇔ 255	0-100%
105	Bleu fin 8	000 ⇔ 255	0-100%
106	Blanc 8	000 ⇔ 255	0-100%
107	Blanc fin 8	000 ⇔ 255	0-100%
108	Gradateur 9	000 ⇔ 255	0-100%
109	Gradateur fin 9	000 ⇔ 255	0-100%
110	Rouge 9	000 ⇔ 255	0-100%
111	Rouge fin 9	000 ⇔ 255	0-100%
112	Vert 9	000 ⇔ 255	0-100%
113	Vert fin 9	000 ⇔ 255	0-100%
114	Bleu 9	000 ⇔ 255	0-100%
115	Bleu fin 9	000 ⇔ 255	0-100%
116	Blanc 9	000 ⇔ 255	0-100%
117	Blanc fin 9	000 ⇔ 255	0-100%
118	Gradateur 10	000 ⇔ 255	0-100%
119	Gradateur fin 10	000 ⇔ 255	0-100%
120	Rouge 10	000 ⇔ 255	0-100%
121	Rouge fin 10	000 ⇔ 255	0-100%
122	Vert 10	000 ⇔ 255	0-100%
123	Vert fin 10	000 ⇔ 255	0-100%
124	Bleu 10	000 ⇔ 255	0-100%
125	Bleu fin 10	000 ⇔ 255	0-100%
126	Blanc 10	000 ⇔ 255	0-100%
127	Blanc fin 10	000 ⇔ 255	0-100%
128	Gradateur 11	000 ⇔ 255	0-100%
129	Gradateur fin 11	000 ⇔ 255	0-100%
130	Rouge 11	000 ⇔ 255	0-100%
131	Rouge fin 11	000 ⇔ 255	0-100%
132	Vert 11	000 ⇔ 255	0-100%
133	Vert fin 11	000 ⇔ 255	0-100%
134	Bleu 11	000 ⇔ 255	0-100%
135	Bleu fin 11	000 ⇔ 255	0-100%

Canal	Fonction	Valeur	Pourcentage/Paramétrage
136	Blanc 11	000 ⇄ 255	0–100%
137	Blanc fin 11	000 ⇄ 255	0–100%
138	Gradateur 12	000 ⇄ 255	0–100%
139	Gradateur fin 12	000 ⇄ 255	0–100%
140	Rouge 12	000 ⇄ 255	0–100%
141	Rouge fin 12	000 ⇄ 255	0–100%
142	Vert 12	000 ⇄ 255	0–100%
143	Vert fin 12	000 ⇄ 255	0–100%
144	Bleu 12	000 ⇄ 255	0–100%
145	Bleu fin 12	000 ⇄ 255	0–100%
146	Blanc 12	000 ⇄ 255	0–100%
147	Blanc fin 12	000 ⇄ 255	0–100%
148	Gradateur 13	000 ⇄ 255	0–100%
149	Gradateur fin 13	000 ⇄ 255	0–100%
150	Rouge 13	000 ⇄ 255	0–100%
151	Rouge fin 13	000 ⇄ 255	0–100%
152	Vert 13	000 ⇄ 255	0–100%
153	Vert fin 13	000 ⇄ 255	0–100%
154	Bleu 13	000 ⇄ 255	0–100%
155	Bleu fin 13	000 ⇄ 255	0–100%
156	Blanc 13	000 ⇄ 255	0–100%
157	Blanc fin 13	000 ⇄ 255	0–100%
158	Gradateur 14	000 ⇄ 255	0–100%
159	Gradateur fin 14	000 ⇄ 255	0–100%
160	Rouge 14	000 ⇄ 255	0–100%
161	Rouge fin 14	000 ⇄ 255	0–100%
162	Vert 14	000 ⇄ 255	0–100%
163	Vert fin 14	000 ⇄ 255	0–100%
164	Bleu 14	000 ⇄ 255	0–100%
165	Bleu fin 14	000 ⇄ 255	0–100%
166	Blanc 14	000 ⇄ 255	0–100%
167	Blanc fin 14	000 ⇄ 255	0–100%
168	Gradateur 15	000 ⇄ 255	0–100%
169	Gradateur fin 15	000 ⇄ 255	0–100%
170	Rouge 15	000 ⇄ 255	0–100%
171	Rouge fin 15	000 ⇄ 255	0–100%
172	Vert 15	000 ⇄ 255	0–100%
173	Vert fin 15	000 ⇄ 255	0–100%
174	Bleu 15	000 ⇄ 255	0–100%
175	Bleu fin 15	000 ⇄ 255	0–100%
176	Blanc 15	000 ⇄ 255	0–100%
177	Blanc fin 15	000 ⇄ 255	0–100%
178	Gradateur 16	000 ⇄ 255	0–100%
179	Gradateur fin 16	000 ⇄ 255	0–100%
180	Rouge 16	000 ⇄ 255	0–100%
181	Rouge fin 16	000 ⇄ 255	0–100%
182	Vert 16	000 ⇄ 255	0–100%
183	Vert fin 16	000 ⇄ 255	0–100%
184	Bleu 16	000 ⇄ 255	0–100%
185	Bleu fin 16	000 ⇄ 255	0–100%
186	Blanc 16	000 ⇄ 255	0–100%
187	Blanc fin 16	000 ⇄ 255	0–100%
188	Gradateur 17	000 ⇄ 255	0–100%
189	Gradateur fin 17	000 ⇄ 255	0–100%

Canal	Fonction	Valeur	Pourcentage/Paramétrage
190	Rouge 17	000 ⇔ 255	0-100%
191	Rouge fin 17	000 ⇔ 255	0-100%
192	Vert 17	000 ⇔ 255	0-100%
193	Vert fin 17	000 ⇔ 255	0-100%
194	Bleu 17	000 ⇔ 255	0-100%
195	Bleu fin 17	000 ⇔ 255	0-100%
196	Blanc 17	000 ⇔ 255	0-100%
197	Blanc fin 17	000 ⇔ 255	0-100%
198	Gradateur 18	000 ⇔ 255	0-100%
199	Gradateur fin 18	000 ⇔ 255	0-100%
200	Rouge 18	000 ⇔ 255	0-100%
201	Rouge fin 18	000 ⇔ 255	0-100%
202	Vert 18	000 ⇔ 255	0-100%
203	Vert fin 18	000 ⇔ 255	0-100%
204	Bleu 18	000 ⇔ 255	0-100%
205	Bleu fin 18	000 ⇔ 255	0-100%
206	Blanc 18	000 ⇔ 255	0-100%
207	Blanc fin 18	000 ⇔ 255	0-100%
208	Gradateur 19	000 ⇔ 255	0-100%
209	Gradateur fin 19	000 ⇔ 255	0-100%
210	Rouge 19	000 ⇔ 255	0-100%
211	Rouge fin 19	000 ⇔ 255	0-100%
212	Vert 19	000 ⇔ 255	0-100%
213	Vert fin 19	000 ⇔ 255	0-100%
214	Bleu 19	000 ⇔ 255	0-100%
215	Bleu fin 19	000 ⇔ 255	0-100%
216	Blanc 19	000 ⇔ 255	0-100%
217	Blanc fin 19	000 ⇔ 255	0-100%
218	Gradateur 20	000 ⇔ 255	0-100%
219	Gradateur fin 20	000 ⇔ 255	0-100%
220	Rouge 20	000 ⇔ 255	0-100%
221	Rouge fin 20	000 ⇔ 255	0-100%
222	Vert 20	000 ⇔ 255	0-100%
223	Vert fin 20	000 ⇔ 255	0-100%
224	Bleu 20	000 ⇔ 255	0-100%
225	Bleu fin 20	000 ⇔ 255	0-100%
226	Blanc 20	000 ⇔ 255	0-100%
227	Blanc fin 20	000 ⇔ 255	0-100%
228	Gradateur 21	000 ⇔ 255	0-100%
229	Gradateur fin 21	000 ⇔ 255	0-100%
230	Rouge 21	000 ⇔ 255	0-100%
231	Rouge fin 21	000 ⇔ 255	0-100%
232	Vert 21	000 ⇔ 255	0-100%
233	Vert fin 21	000 ⇔ 255	0-100%
234	Bleu 21	000 ⇔ 255	0-100%
235	Bleu fin 21	000 ⇔ 255	0-100%
236	Blanc 21	000 ⇔ 255	0-100%
237	Blanc fin 21	000 ⇔ 255	0-100%
238	Gradateur 22	000 ⇔ 255	0-100%
239	Gradateur fin 22	000 ⇔ 255	0-100%
240	Rouge 22	000 ⇔ 255	0-100%
241	Rouge fin 22	000 ⇔ 255	0-100%
242	Vert 22	000 ⇔ 255	0-100%
243	Vert fin 22	000 ⇔ 255	0-100%

Canal	Fonction	Valeur	Pourcentage/Paramétrage
244	Bleu 22	000 ⇄ 255	0–100%
245	Bleu fin 22	000 ⇄ 255	0–100%
246	Blanc 22	000 ⇄ 255	0–100%
247	Blanc fin 22	000 ⇄ 255	0–100%
248	Gradateur 23	000 ⇄ 255	0–100%
249	Gradateur fin 23	000 ⇄ 255	0–100%
250	Rouge 23	000 ⇄ 255	0–100%
251	Rouge fin 23	000 ⇄ 255	0–100%
252	Vert 23	000 ⇄ 255	0–100%
253	Vert fin 23	000 ⇄ 255	0–100%
254	Bleu 23	000 ⇄ 255	0–100%
255	Bleu fin 23	000 ⇄ 255	0–100%
256	Blanc 23	000 ⇄ 255	0–100%
257	Blanc fin 23	000 ⇄ 255	0–100%
258	Gradateur 24	000 ⇄ 255	0–100%
259	Gradateur fin 24	000 ⇄ 255	0–100%
260	Rouge 24	000 ⇄ 255	0–100%
261	Rouge fin 24	000 ⇄ 255	0–100%
262	Vert 24	000 ⇄ 255	0–100%
263	Vert fin 24	000 ⇄ 255	0–100%
264	Bleu 24	000 ⇄ 255	0–100%
265	Bleu fin 24	000 ⇄ 255	0–100%
266	Blanc 24	000 ⇄ 255	0–100%
267	Blanc fin 24	000 ⇄ 255	0–100%
268	Gradateur 25	000 ⇄ 255	0–100%
269	Gradateur fin 25	000 ⇄ 255	0–100%
270	Rouge 25	000 ⇄ 255	0–100%
271	Rouge fin 25	000 ⇄ 255	0–100%
272	Vert 25	000 ⇄ 255	0–100%
273	Vert fin 25	000 ⇄ 255	0–100%
274	Bleu 25	000 ⇄ 255	0–100%
275	Bleu fin 25	000 ⇄ 255	0–100%
276	Blanc 25	000 ⇄ 255	0–100%
277	Blanc fin 25	000 ⇄ 255	0–100%
278	Gradateur 26	000 ⇄ 255	0–100%
279	Gradateur fin 26	000 ⇄ 255	0–100%
280	Rouge 26	000 ⇄ 255	0–100%
281	Rouge fin 26	000 ⇄ 255	0–100%
282	Vert 26	000 ⇄ 255	0–100%
283	Vert fin 26	000 ⇄ 255	0–100%
284	Bleu 26	000 ⇄ 255	0–100%
285	Bleu fin 26	000 ⇄ 255	0–100%
286	Blanc 26	000 ⇄ 255	0–100%
287	Blanc fin 26	000 ⇄ 255	0–100%
288	Gradateur 27	000 ⇄ 255	0–100%
289	Gradateur fin 27	000 ⇄ 255	0–100%
290	Rouge 27	000 ⇄ 255	0–100%
291	Rouge fin 27	000 ⇄ 255	0–100%
292	Vert 27	000 ⇄ 255	0–100%
293	Vert fin 27	000 ⇄ 255	0–100%
294	Bleu 27	000 ⇄ 255	0–100%
295	Bleu fin 27	000 ⇄ 255	0–100%
296	Blanc 27	000 ⇄ 255	0–100%
297	Blanc fin 27	000 ⇄ 255	0–100%



**“Single Control”: Mode “Advanced” (243-canal)**

Canal	Fonction	Valeur	Pourcentage/Paramétrage
1	Pan (balayage)	000 ⇔ 255	0–100%
2	Pan fin	000 ⇔ 255	0–100%
3	Tilt (basculement)	000 ⇔ 255	0–100%
4	Tilt Fine	000 ⇔ 255	0–100%
5	Vitesse Pan/Tilt	000 ⇔ 255	Rapide à lent
6	CTC	000	Pas de fonction
		001 ⇔ 255	Température de couleur, 2800–10000 K
7	Macro de Couleur	000	Pas de fonction
		001 ⇔ 255	Macros de couleurs
8	Gobo	000	Pas de fonction
		001 ⇔ 255	Gobos (indexé)
9	Macro LED / Programme Automatique	000 ⇔ 015	Pas de fonction
		016 ⇔ 135	Macros LED
		136 ⇔ 255	Programmes automatique
10	Vitesse pour Macro LED / Programme Automatique	000 ⇔ 127	Rapide à lent
		128	Attente
		129 ⇔ 255	Lent à rapide
11	Décalage interne LED	000 ⇔ 255	Rapide à lent
12	Couleur de l'arrière plan	000	Pas de fonction
		001 ⇔ 002	2700K R = 156 G = 118 B = 0 W = 63
		003 ⇔ 004	3200K R = 156 G = 141 B = 5 W = 89
		005 ⇔ 006	4200K R = 156 G = 141 B = 14 W = 255
		007 ⇔ 008	5600K R = 156 G = 207 B = 54 W = 255
		009 ⇔ 010	8000K R = 130 G = 255 B = 96 W = 255
		011	Bleu R = 0 G = 0 B = 255 W = 0
		012 ⇔ 048	+ Vert R = 0 G = 0–255 B = 255 W = 0
		049	Cyan R = 0 G = 255 B = 255 W = 0
		050 ⇔ 086	- Bleu R = 0 G = 255 B = 255–0 W = 0
		087	Vert R = 0 G = 255 B = 0 W = 0
		088 ⇔ 124	+ Rouge R = 0–255 G = 255 B = 0 W = 0
		125	Jaune R = 255 G = 255 B = 0 W = 0
		126 ⇔ 162	- Vert R = 255 G = 255–0 B = 0 W = 0
		163	Rouge R = 255 G = 0 B = 0 W = 0
		164 ⇔ 200	+ Bleu R = 255 G = 0 B = 0–255 W = 0
		201	Magenta R = 255 G = 0 B = 255 W = 0
		202 ⇔ 238	- Rouge R = 255–0 G = 0 B = 255 W = 0
239	Bleu R = 0 G = 0 B = 255 W = 0		
240 ⇔ 247	Changement de couleur, rapide à lent		
248 ⇔ 255	Saut de couleur, rapide à lent		
13	Gradateur de l'arrière plan	000 ⇔ 255	0–100%
14	Gradateur fin de l'arrière plan	000 ⇔ 255	0–100%
15	Gradateur principal	000 ⇔ 255	0–100%
16	Gradateur fin principal	000 ⇔ 255	0–100%

Canal	Fonction	Valeur	Pourcentage/Paramétrage
17	Obturbateur	000 ⇄ 019	Arrêt
		020 ⇄ 024	Marche
		025 ⇄ 064	Stroboscope, rapide à lent
		065 ⇄ 069	Marche
		070 ⇄ 084	Stroboscope 100–0%, rapide à lent
		085 ⇄ 089	Marche
		090 ⇄ 104	Stroboscope 0–100%, rapide à lent
		105 ⇄ 109	Marche
		110 ⇄ 124	Stroboscope aléatoire, rapide à lent
		125 ⇄ 129	Marche
		130 ⇄ 144	Stroboscope aléatoire 100–0%, rapide à lent
		145 ⇄ 149	Marche
		150 ⇄ 164	Stroboscope aléatoire 0–100%, rapide à lent
		165 ⇄ 169	Marche
		170 ⇄ 184	Stroboscope pulsation, rapide à lent
		185 ⇄ 189	Marche
		190 ⇄ 204	Stroboscope pulsation aléatoire, rapide à lent
205 ⇄ 209	Marche		
210 ⇄ 224	Stroboscope 0–100–0%, rapide à lent		
225 ⇄ 229	Marche		
230 ⇄ 244	Stroboscope pulsation aléatoire, rapide à lent		
245 ⇄ 255	Marche		
18	Zoom	000 ⇄ 255	Large à étroit
19	Contrôle	000 ⇄ 009	Pas de fonction
		010 ⇄ 014	Noir général pendant le pan/tilt
		015 ⇄ 019	Réservé pour utilisation future
		020 ⇄ 024	Mode de mélange de couleur RGBW
		025 ⇄ 029	Mode de mélange de couleur CMY (R=C, G=M, B=Y)
		030 ⇄ 049	Réservé pour utilisation future
		050 ⇄ 054	Réinitialisation du pan
		055 ⇄ 059	Réinitialisation du tilt
		060 ⇄ 064	Réinitialisation zoom
		065 ⇄ 069	Réservé pour utilisation future
		070 ⇄ 074	Réinitialisation totale
		075 ⇄ 109	Réservé pour utilisation future
		110 ⇄ 114	Vitesse rapide de pan/tilt
		115 ⇄ 119	Vitesse lente de pan/tilt
		120 ⇄ 124	Mode de vitesse ventilateur lente
125 ⇄ 129	Mode de vitesse ventilateur plein régime		
130 ⇄ 134	Mode de vitesse ventilateur automatique		
135 ⇄ 139	Mode de vitesse de gradation rapide		
140 ⇄ 144	Mode de vitesse de gradation lente		
145 ⇄ 255	Réservé pour utilisation future		
20	Rouge principal	000 ⇄ 255	0–100%
21	Rouge fin principal	000 ⇄ 255	0–100%
22	Vert principal	000 ⇄ 255	0–100%
23	Vert fin principal	000 ⇄ 255	0–100%
24	Bleu principal	000 ⇄ 255	0–100%
25	Bleu fin principal	000 ⇄ 255	0–100%
26	Blanc principal	000 ⇄ 255	0–100%
27	Blanc fin principal	000 ⇄ 255	0–100%
28	Rouge 1	000 ⇄ 255	0–100%
29	Rouge fin 1	000 ⇄ 255	0–100%
30	Vert 1	000 ⇄ 255	0–100%
31	Vert fin 1	000 ⇄ 255	0–100%

Canal	Fonction	Valeur	Pourcentage/Paramétrage
32	Bleu 1	000 ⇔ 255	0-100%
33	Bleu fin 1	000 ⇔ 255	0-100%
34	Blanc 1	000 ⇔ 255	0-100%
35	Blanc fin 1	000 ⇔ 255	0-100%
36	Rouge 2	000 ⇔ 255	0-100%
37	Rouge fin 2	000 ⇔ 255	0-100%
38	Vert 2	000 ⇔ 255	0-100%
39	Vert fin 2	000 ⇔ 255	0-100%
40	Bleu 2	000 ⇔ 255	0-100%
41	Bleu fin 2	000 ⇔ 255	0-100%
42	Blanc 2	000 ⇔ 255	0-100%
43	Blanc fin 2	000 ⇔ 255	0-100%
44	Rouge 3	000 ⇔ 255	0-100%
45	Rouge fin 3	000 ⇔ 255	0-100%
46	Vert 3	000 ⇔ 255	0-100%
47	Vert fin 3	000 ⇔ 255	0-100%
48	Bleu 3	000 ⇔ 255	0-100%
49	Bleu fin 3	000 ⇔ 255	0-100%
50	Blanc 3	000 ⇔ 255	0-100%
51	Blanc fin 3	000 ⇔ 255	0-100%
52	Rouge 4	000 ⇔ 255	0-100%
53	Rouge fin 4	000 ⇔ 255	0-100%
54	Vert 4	000 ⇔ 255	0-100%
55	Vert fin 4	000 ⇔ 255	0-100%
56	Bleu 4	000 ⇔ 255	0-100%
57	Bleu fin 4	000 ⇔ 255	0-100%
58	Blanc 4	000 ⇔ 255	0-100%
59	Blanc fin 4	000 ⇔ 255	0-100%
60	Rouge 5	000 ⇔ 255	0-100%
61	Rouge fin 5	000 ⇔ 255	0-100%
62	Vert 5	000 ⇔ 255	0-100%
63	Vert fin 5	000 ⇔ 255	0-100%
64	Bleu 5	000 ⇔ 255	0-100%
65	Bleu fin 5	000 ⇔ 255	0-100%
66	Blanc 5	000 ⇔ 255	0-100%
67	Blanc fin 5	000 ⇔ 255	0-100%
68	Rouge 6	000 ⇔ 255	0-100%
69	Rouge fin 6	000 ⇔ 255	0-100%
70	Vert 6	000 ⇔ 255	0-100%
71	Vert fin 6	000 ⇔ 255	0-100%
72	Bleu 6	000 ⇔ 255	0-100%
73	Bleu fin 6	000 ⇔ 255	0-100%
74	Blanc 6	000 ⇔ 255	0-100%
75	Blanc fin 6	000 ⇔ 255	0-100%
76	Rouge 7	000 ⇔ 255	0-100%
77	Rouge fin 7	000 ⇔ 255	0-100%
78	Vert 7	000 ⇔ 255	0-100%
79	Vert fin 7	000 ⇔ 255	0-100%
80	Bleu 7	000 ⇔ 255	0-100%
81	Bleu fin 7	000 ⇔ 255	0-100%
82	Blanc 7	000 ⇔ 255	0-100%
83	Blanc fin 7	000 ⇔ 255	0-100%
84	Rouge 8	000 ⇔ 255	0-100%
85	Rouge fin 8	000 ⇔ 255	0-100%

Canal	Fonction	Valeur	Pourcentage/Paramétrage
86	Vert 8	000 ⇄ 255	0–100%
87	Vert fin 8	000 ⇄ 255	0–100%
88	Bleu 8	000 ⇄ 255	0–100%
89	Bleu fin 8	000 ⇄ 255	0–100%
90	Blanc 8	000 ⇄ 255	0–100%
91	Blanc fin 8	000 ⇄ 255	0–100%
92	Rouge 9	000 ⇄ 255	0–100%
93	Rouge fin 9	000 ⇄ 255	0–100%
94	Vert 9	000 ⇄ 255	0–100%
95	Vert fin 9	000 ⇄ 255	0–100%
96	Bleu 9	000 ⇄ 255	0–100%
97	Bleu fin 9	000 ⇄ 255	0–100%
98	Blanc 9	000 ⇄ 255	0–100%
99	Blanc fin 9	000 ⇄ 255	0–100%
100	Rouge 10	000 ⇄ 255	0–100%
101	Rouge fin 10	000 ⇄ 255	0–100%
102	Vert 10	000 ⇄ 255	0–100%
103	Vert fin 10	000 ⇄ 255	0–100%
104	Bleu 10	000 ⇄ 255	0–100%
105	Bleu fin 10	000 ⇄ 255	0–100%
106	Blanc 10	000 ⇄ 255	0–100%
107	Blanc fin 10	000 ⇄ 255	0–100%
108	Rouge 11	000 ⇄ 255	0–100%
109	Rouge fin 11	000 ⇄ 255	0–100%
110	Vert 11	000 ⇄ 255	0–100%
111	Vert fin 11	000 ⇄ 255	0–100%
112	Bleu 11	000 ⇄ 255	0–100%
113	Bleu fin 11	000 ⇄ 255	0–100%
114	Blanc 11	000 ⇄ 255	0–100%
115	Blanc fin 11	000 ⇄ 255	0–100%
116	Rouge 12	000 ⇄ 255	0–100%
117	Rouge fin 12	000 ⇄ 255	0–100%
118	Vert 12	000 ⇄ 255	0–100%
119	Vert fin 12	000 ⇄ 255	0–100%
120	Bleu 12	000 ⇄ 255	0–100%
121	Bleu fin 12	000 ⇄ 255	0–100%
122	Blanc 12	000 ⇄ 255	0–100%
123	Blanc fin 12	000 ⇄ 255	0–100%
124	Rouge 13	000 ⇄ 255	0–100%
125	Rouge fin 13	000 ⇄ 255	0–100%
126	Vert 13	000 ⇄ 255	0–100%
127	Vert fin 13	000 ⇄ 255	0–100%
128	Bleu 13	000 ⇄ 255	0–100%
129	Bleu fin 13	000 ⇄ 255	0–100%
130	Blanc 13	000 ⇄ 255	0–100%
131	Blanc fin 13	000 ⇄ 255	0–100%
132	Rouge 14	000 ⇄ 255	0–100%
133	Rouge fin 14	000 ⇄ 255	0–100%
134	Vert 14	000 ⇄ 255	0–100%
135	Vert fin 14	000 ⇄ 255	0–100%
136	Bleu 14	000 ⇄ 255	0–100%
137	Bleu fin 14	000 ⇄ 255	0–100%
138	Blanc 14	000 ⇄ 255	0–100%
139	Blanc fin 14	000 ⇄ 255	0–100%

Canal	Fonction	Valeur	Pourcentage/Paramétrage
140	Rouge 15	000 ⇔ 255	0-100%
141	Rouge fin 15	000 ⇔ 255	0-100%
142	Vert 15	000 ⇔ 255	0-100%
143	Vert fin 15	000 ⇔ 255	0-100%
144	Bleu 15	000 ⇔ 255	0-100%
145	Bleu fin 15	000 ⇔ 255	0-100%
146	Blanc 15	000 ⇔ 255	0-100%
147	Blanc fin 15	000 ⇔ 255	0-100%
148	Rouge 16	000 ⇔ 255	0-100%
149	Rouge fin 16	000 ⇔ 255	0-100%
150	Vert 16	000 ⇔ 255	0-100%
151	Vert fin 16	000 ⇔ 255	0-100%
152	Bleu 16	000 ⇔ 255	0-100%
153	Bleu fin 16	000 ⇔ 255	0-100%
154	Blanc 16	000 ⇔ 255	0-100%
155	Blanc fin 16	000 ⇔ 255	0-100%
156	Rouge 17	000 ⇔ 255	0-100%
157	Rouge fin 17	000 ⇔ 255	0-100%
158	Vert 17	000 ⇔ 255	0-100%
159	Vert fin 17	000 ⇔ 255	0-100%
160	Bleu 17	000 ⇔ 255	0-100%
161	Bleu fin 17	000 ⇔ 255	0-100%
162	Blanc 17	000 ⇔ 255	0-100%
163	Blanc fin 17	000 ⇔ 255	0-100%
164	Rouge 18	000 ⇔ 255	0-100%
165	Rouge fin 18	000 ⇔ 255	0-100%
166	Vert 18	000 ⇔ 255	0-100%
167	Vert fin 18	000 ⇔ 255	0-100%
168	Bleu 18	000 ⇔ 255	0-100%
169	Bleu fin 18	000 ⇔ 255	0-100%
170	Blanc 18	000 ⇔ 255	0-100%
171	Blanc fin 18	000 ⇔ 255	0-100%
172	Rouge 19	000 ⇔ 255	0-100%
173	Rouge fin 19	000 ⇔ 255	0-100%
174	Vert 19	000 ⇔ 255	0-100%
175	Vert fin 19	000 ⇔ 255	0-100%
176	Bleu 19	000 ⇔ 255	0-100%
177	Bleu fin 19	000 ⇔ 255	0-100%
178	Blanc 19	000 ⇔ 255	0-100%
179	Blanc fin 19	000 ⇔ 255	0-100%
180	Rouge 20	000 ⇔ 255	0-100%
181	Rouge fin 20	000 ⇔ 255	0-100%
182	Vert 20	000 ⇔ 255	0-100%
183	Vert fin 20	000 ⇔ 255	0-100%
184	Bleu 20	000 ⇔ 255	0-100%
185	Bleu fin 20	000 ⇔ 255	0-100%
186	Blanc 20	000 ⇔ 255	0-100%
187	Blanc fin 20	000 ⇔ 255	0-100%
188	Rouge 21	000 ⇔ 255	0-100%
189	Rouge fin 21	000 ⇔ 255	0-100%
190	Vert 21	000 ⇔ 255	0-100%
191	Vert fin 21	000 ⇔ 255	0-100%
192	Bleu 21	000 ⇔ 255	0-100%
193	Bleu fin 21	000 ⇔ 255	0-100%

Canal	Fonction	Valeur	Pourcentage/Paramétrage
194	Blanc 21	000 ⇄ 255	0–100%
195	Blanc fin 21	000 ⇄ 255	0–100%
196	Rouge 22	000 ⇄ 255	0–100%
197	Rouge fin 22	000 ⇄ 255	0–100%
198	Vert 22	000 ⇄ 255	0–100%
199	Vert fin 22	000 ⇄ 255	0–100%
200	Bleu 22	000 ⇄ 255	0–100%
201	Bleu fin 22	000 ⇄ 255	0–100%
202	Blanc 22	000 ⇄ 255	0–100%
203	Blanc fin 22	000 ⇄ 255	0–100%
204	Rouge 23	000 ⇄ 255	0–100%
205	Rouge fin 23	000 ⇄ 255	0–100%
206	Vert 23	000 ⇄ 255	0–100%
207	Vert fin 23	000 ⇄ 255	0–100%
208	Bleu 23	000 ⇄ 255	0–100%
209	Bleu fin 23	000 ⇄ 255	0–100%
210	Blanc 23	000 ⇄ 255	0–100%
211	Blanc fin 23	000 ⇄ 255	0–100%
212	Rouge 24	000 ⇄ 255	0–100%
213	Rouge fin 24	000 ⇄ 255	0–100%
214	Vert 24	000 ⇄ 255	0–100%
215	Vert fin 24	000 ⇄ 255	0–100%
216	Bleu 24	000 ⇄ 255	0–100%
217	Bleu fin 24	000 ⇄ 255	0–100%
218	Blanc 24	000 ⇄ 255	0–100%
219	Blanc fin 24	000 ⇄ 255	0–100%
220	Rouge 25	000 ⇄ 255	0–100%
221	Rouge fin 25	000 ⇄ 255	0–100%
222	Vert 25	000 ⇄ 255	0–100%
223	Vert fin 25	000 ⇄ 255	0–100%
224	Bleu 25	000 ⇄ 255	0–100%
225	Bleu fin 25	000 ⇄ 255	0–100%
226	Blanc 25	000 ⇄ 255	0–100%
227	Blanc fin 25	000 ⇄ 255	0–100%
228	Rouge 26	000 ⇄ 255	0–100%
229	Rouge fin 26	000 ⇄ 255	0–100%
230	Vert 26	000 ⇄ 255	0–100%
231	Vert fin 26	000 ⇄ 255	0–100%
232	Bleu 26	000 ⇄ 255	0–100%
233	Bleu fin 26	000 ⇄ 255	0–100%
234	Blanc 26	000 ⇄ 255	0–100%
235	Blanc fin 26	000 ⇄ 255	0–100%
236	Rouge 27	000 ⇄ 255	0–100%
237	Rouge fin 27	000 ⇄ 255	0–100%
238	Vert 27	000 ⇄ 255	0–100%
239	Vert fin 27	000 ⇄ 255	0–100%
240	Bleu 27	000 ⇄ 255	0–100%
241	Bleu fin 27	000 ⇄ 255	0–100%
242	Blanc 27	000 ⇄ 255	0–100%
243	Blanc fin 27	000 ⇄ 255	0–100%

**“Single Control”: Mode “Standard” (129-canal)**

Canal	Fonction	Valeur	Pourcentage/Paramétrage
1	Pan (balayage)	000 ⇔ 255	0–100%
2	Pan fin	000 ⇔ 255	0–100%
3	Tilt (basculement)	000 ⇔ 255	0–100%
4	Tilt Fine	000 ⇔ 255	0–100%
5	Vitesse Pan/Tilt	000 ⇔ 255	Rapide à lent
6	CTC	000	Pas de fonction
		001 ⇔ 255	Température de couleur, 2800–10000 K
7	Macro de Couleur	000	Pas de fonction
		001 ⇔ 255	Macros de couleurs
8	Gobo	000	Pas de fonction
		001 ⇔ 255	Gobos (indexé)
9	Macro LED / Programme Automatique	000 ⇔ 015	Pas de fonction
		016 ⇔ 135	Macros LED
		136 ⇔ 255	Programmes automatique
10	Vitesse pour Macro LED / Programme Automatique	000 ⇔ 127	Rapide à lent
		128	Attente
		129 ⇔ 255	Lent à rapide
11	Décalage interne LED	000 ⇔ 255	Rapide à lent
12	Couleur de l'arrière plan	000	Pas de fonction
		001 ⇔ 002	2700K R = 156 G = 118 B = 0 W = 63
		003 ⇔ 004	3200K R = 156 G = 141 B = 5 W = 89
		005 ⇔ 006	4200K R = 156 G = 141 B = 14 W = 255
		007 ⇔ 008	5600K R = 156 G = 207 B = 54 W = 255
		009 ⇔ 010	8000K R = 130 G = 255 B = 96 W = 255
		011	Bleu R = 0 G = 0 B = 255 W = 0
		012 ⇔ 048	+ Vert R = 0 G = 0–255 B = 255 W = 0
		049	Cyan R = 0 G = 255 B = 255 W = 0
		050 ⇔ 086	- Bleu R = 0 G = 255 B = 255–0 W = 0
		087	Vert R = 0 G = 255 B = 0 W = 0
		088 ⇔ 124	+ Rouge R = 0–255 G = 255 B = 0 W = 0
		125	Jaune R = 255 G = 255 B = 0 W = 0
		126 ⇔ 162	- Vert R = 255 G = 255–0 B = 0 W = 0
		163	Rouge R = 255 G = 0 B = 0 W = 0
		164 ⇔ 200	+ Bleu R = 255 G = 0 B = 0–255 W = 0
		201	Magenta R = 255 G = 0 B = 255 W = 0
		202 ⇔ 238	- Rouge R = 255–0 G = 0 B = 255 W = 0
		239	Bleu R = 0 G = 0 B = 255 W = 0
		240 ⇔ 247	Changement de couleur, rapide à lent
248 ⇔ 255	Saut de couleur, rapide à lent		
13	Gradateur de l'arrière plan	000 ⇔ 255	0–100%
14	Gradateur principal	000 ⇔ 255	0–100%



Canal	Fonction	Valeur	Pourcentage/Paramétrage
15	Obturbateur	000 ⇄ 019	Arrêt
		020 ⇄ 024	Marche
		025 ⇄ 064	Stroboscope, rapide à lent
		065 ⇄ 069	Marche
		070 ⇄ 084	Stroboscope 100–0%, rapide à lent
		085 ⇄ 089	Marche
		090 ⇄ 104	Stroboscope 0–100%, rapide à lent
		105 ⇄ 109	Marche
		110 ⇄ 124	Stroboscope aléatoire, rapide à lent
		125 ⇄ 129	Marche
		130 ⇄ 144	Stroboscope aléatoire 100–0%, rapide à lent
		145 ⇄ 149	Marche
		150 ⇄ 164	Stroboscope aléatoire 0–100%, rapide à lent
		165 ⇄ 169	Marche
		170 ⇄ 184	Stroboscope pulsation, rapide à lent
		185 ⇄ 189	Marche
		190 ⇄ 204	Stroboscope pulsation aléatoire, rapide à lent
205 ⇄ 209	Marche		
210 ⇄ 224	Stroboscope 0–100–0%, rapide à lent		
225 ⇄ 229	Marche		
230 ⇄ 244	Stroboscope pulsation aléatoire, rapide à lent		
245 ⇄ 255	Marche		
16	Zoom	000 ⇄ 255	Large à étroit
17	Contrôle	000 ⇄ 009	Pas de fonction
		010 ⇄ 014	Noir général pendant le pan/tilt
		015 ⇄ 019	Réservé pour utilisation future
		020 ⇄ 024	Mode de mélange de couleur RGBW
		025 ⇄ 029	Mode de mélange de couleur CMY (R=C, G=M, B=Y)
		030 ⇄ 049	Réservé pour utilisation future
		050 ⇄ 054	Réinitialisation du pan
		055 ⇄ 059	Réinitialisation du tilt
		060 ⇄ 064	Réinitialisation zoom
		065 ⇄ 069	Réservé pour utilisation future
		070 ⇄ 074	Réinitialisation totale
		075 ⇄ 109	Réservé pour utilisation future
		110 ⇄ 114	Vitesse rapide de pan/tilt
		115 ⇄ 119	Vitesse lente de pan/tilt
		120 ⇄ 124	Mode de vitesse ventilateur lente
125 ⇄ 129	Mode de vitesse ventilateur plein régime		
130 ⇄ 134	Mode de vitesse ventilateur automatique		
135 ⇄ 139	Mode de vitesse de gradation rapide		
140 ⇄ 144	Mode de vitesse de gradation lente		
145 ⇄ 255	Réservé pour utilisation future		
18	Rouge principal	000 ⇄ 255	0–100%
19	Vert principal	000 ⇄ 255	0–100%
20	Bleu principal	000 ⇄ 255	0–100%
21	Blanc principal	000 ⇄ 255	0–100%
22	Rouge 1	000 ⇄ 255	0–100%
23	Vert 1	000 ⇄ 255	0–100%
24	Bleu 1	000 ⇄ 255	0–100%
25	Blanc 1	000 ⇄ 255	0–100%
26	Rouge 2	000 ⇄ 255	0–100%
27	Vert 2	000 ⇄ 255	0–100%
28	Bleu 2	000 ⇄ 255	0–100%
29	Blanc 2	000 ⇄ 255	0–100%

Canal	Fonction	Valeur	Pourcentage/Paramétrage
30	Rouge 3	000 ⇔ 255	0-100%
31	Vert 3	000 ⇔ 255	0-100%
32	Bleu 3	000 ⇔ 255	0-100%
33	Blanc 3	000 ⇔ 255	0-100%
34	Rouge 4	000 ⇔ 255	0-100%
35	Vert 4	000 ⇔ 255	0-100%
36	Bleu 4	000 ⇔ 255	0-100%
37	Blanc 4	000 ⇔ 255	0-100%
38	Rouge 5	000 ⇔ 255	0-100%
39	Vert 5	000 ⇔ 255	0-100%
40	Bleu 5	000 ⇔ 255	0-100%
41	Blanc 5	000 ⇔ 255	0-100%
42	Rouge 6	000 ⇔ 255	0-100%
43	Vert 6	000 ⇔ 255	0-100%
44	Bleu 6	000 ⇔ 255	0-100%
45	Blanc 6	000 ⇔ 255	0-100%
46	Rouge 7	000 ⇔ 255	0-100%
47	Vert 7	000 ⇔ 255	0-100%
48	Bleu 7	000 ⇔ 255	0-100%
49	Blanc 7	000 ⇔ 255	0-100%
50	Rouge 8	000 ⇔ 255	0-100%
51	Vert 8	000 ⇔ 255	0-100%
52	Bleu 8	000 ⇔ 255	0-100%
53	Blanc 8	000 ⇔ 255	0-100%
54	Rouge 9	000 ⇔ 255	0-100%
55	Vert 9	000 ⇔ 255	0-100%
56	Bleu 9	000 ⇔ 255	0-100%
57	Blanc 9	000 ⇔ 255	0-100%
58	Rouge 10	000 ⇔ 255	0-100%
59	Vert 10	000 ⇔ 255	0-100%
60	Bleu 10	000 ⇔ 255	0-100%
61	Blanc 10	000 ⇔ 255	0-100%
62	Rouge 11	000 ⇔ 255	0-100%
63	Vert 11	000 ⇔ 255	0-100%
64	Bleu 11	000 ⇔ 255	0-100%
65	Blanc 11	000 ⇔ 255	0-100%
66	Rouge 12	000 ⇔ 255	0-100%
67	Vert 12	000 ⇔ 255	0-100%
68	Bleu 12	000 ⇔ 255	0-100%
69	Blanc 12	000 ⇔ 255	0-100%
70	Rouge 13	000 ⇔ 255	0-100%
71	Vert 13	000 ⇔ 255	0-100%
72	Bleu 13	000 ⇔ 255	0-100%
73	Blanc 13	000 ⇔ 255	0-100%
74	Rouge 14	000 ⇔ 255	0-100%
75	Vert 14	000 ⇔ 255	0-100%
76	Bleu 14	000 ⇔ 255	0-100%
77	Blanc 14	000 ⇔ 255	0-100%
78	Rouge 15	000 ⇔ 255	0-100%
79	Vert 15	000 ⇔ 255	0-100%
80	Bleu 15	000 ⇔ 255	0-100%
81	Blanc 15	000 ⇔ 255	0-100%
82	Rouge 16	000 ⇔ 255	0-100%
83	Vert 16	000 ⇔ 255	0-100%
84	Bleu 16	000 ⇔ 255	0-100%

Canal	Fonction	Valeur	Pourcentage/Paramétrage
85	Blanc 16	000 ⇄ 255	0–100%
86	Rouge 17	000 ⇄ 255	0–100%
87	Vert 17	000 ⇄ 255	0–100%
88	Bleu 17	000 ⇄ 255	0–100%
89	Blanc 17	000 ⇄ 255	0–100%
90	Rouge 18	000 ⇄ 255	0–100%
91	Vert 18	000 ⇄ 255	0–100%
92	Bleu 18	000 ⇄ 255	0–100%
93	Blanc 18	000 ⇄ 255	0–100%
94	Rouge 19	000 ⇄ 255	0–100%
95	Vert 19	000 ⇄ 255	0–100%
96	Bleu 19	000 ⇄ 255	0–100%
97	Blanc 19	000 ⇄ 255	0–100%
98	Rouge 20	000 ⇄ 255	0–100%
99	Vert 20	000 ⇄ 255	0–100%
100	Bleu 20	000 ⇄ 255	0–100%
101	Blanc 20	000 ⇄ 255	0–100%
102	Rouge 21	000 ⇄ 255	0–100%
103	Vert 21	000 ⇄ 255	0–100%
104	Bleu 21	000 ⇄ 255	0–100%
105	Blanc 21	000 ⇄ 255	0–100%
106	Rouge 22	000 ⇄ 255	0–100%
107	Vert 22	000 ⇄ 255	0–100%
108	Bleu 22	000 ⇄ 255	0–100%
109	Blanc 22	000 ⇄ 255	0–100%
110	Rouge 23	000 ⇄ 255	0–100%
111	Vert 23	000 ⇄ 255	0–100%
112	Bleu 23	000 ⇄ 255	0–100%
113	Blanc 23	000 ⇄ 255	0–100%
114	Rouge 24	000 ⇄ 255	0–100%
115	Vert 24	000 ⇄ 255	0–100%
116	Bleu 24	000 ⇄ 255	0–100%
117	Blanc 24	000 ⇄ 255	0–100%
118	Rouge 25	000 ⇄ 255	0–100%
119	Vert 25	000 ⇄ 255	0–100%
120	Bleu 25	000 ⇄ 255	0–100%
121	Blanc 25	000 ⇄ 255	0–100%
122	Rouge 26	000 ⇄ 255	0–100%
123	Vert 26	000 ⇄ 255	0–100%
124	Bleu 26	000 ⇄ 255	0–100%
125	Blanc 26	000 ⇄ 255	0–100%
126	Rouge 27	000 ⇄ 255	0–100%
127	Vert 27	000 ⇄ 255	0–100%
128	Bleu 27	000 ⇄ 255	0–100%
129	Blanc 27	000 ⇄ 255	0–100%

**“Single Control”: Mode “Basic” (21-canal)**

Canal	Fonction	Valeur	Pourcentage/Paramétrage
1	Pan (balayage)	000 ⇔ 255	0–100%
2	Pan fin	000 ⇔ 255	0–100%
3	Tilt (basculement)	000 ⇔ 255	0–100%
4	Tilt Fine	000 ⇔ 255	0–100%
5	Vitesse Pan/Tilt	000 ⇔ 255	Rapide à lent
6	CTC	000	Pas de fonction
		001 ⇔ 255	Température de couleur, 2800–10000 K
7	Macro de Couleur	000	Pas de fonction
		001 ⇔ 255	Macros de couleurs
8	Gobo	000	Pas de fonction
		001 ⇔ 255	Gobos (indexé)
9	Macro LED / Programme Automatique	000 ⇔ 015	Pas de fonction
		016 ⇔ 135	Macros LED
		136 ⇔ 255	Programmes automatique
10	Vitesse pour Macro LED / Programme Automatique	000 ⇔ 127	Rapide à lent
		128	Attente
		129 ⇔ 255	Lent à rapide
11	Décalage interne LED	000 ⇔ 255	Rapide à lent
12	Couleur de l'arrière plan	000	Pas de fonction
		001 ⇔ 002	2700K R = 156 G = 118 B = 0 W = 63
		003 ⇔ 004	3200K R = 156 G = 141 B = 5 W = 89
		005 ⇔ 006	4200K R = 156 G = 141 B = 14 W = 255
		007 ⇔ 008	5600K R = 156 G = 207 B = 54 W = 255
		009 ⇔ 010	8000K R = 130 G = 255 B = 96 W = 255
		011	Bleu R = 0 G = 0 B = 255 W = 0
		012 ⇔ 048	+ Vert R = 0 G = 0–255 B = 255 W = 0
		049	Cyan R = 0 G = 255 B = 255 W = 0
		050 ⇔ 086	- Bleu R = 0 G = 255 B = 255–0 W = 0
		087	Vert R = 0 G = 255 B = 0 W = 0
		088 ⇔ 124	+ Rouge R = 0–255 G = 255 B = 0 W = 0
		125	Jaune R = 255 G = 255 B = 0 W = 0
		126 ⇔ 162	- Vert R = 255 G = 255–0 B = 0 W = 0
		163	Rouge R = 255 G = 0 B = 0 W = 0
		164 ⇔ 200	+ Bleu R = 255 G = 0 B = 0–255 W = 0
		201	Magenta R = 255 G = 0 B = 255 W = 0
		202 ⇔ 238	- Rouge R = 255–0 G = 0 B = 255 W = 0
239	Bleu R = 0 G = 0 B = 255 W = 0		
240 ⇔ 247	Changement de couleur, rapide à lent		
248 ⇔ 255	Saut de couleur, rapide à lent		
13	Gradateur de l'arrière plan	000 ⇔ 255	0–100%
14	Gradateur principal	000 ⇔ 255	0–100%

Canal	Fonction	Valeur	Pourcentage/Paramétrage
15	Obturbateur	000 ⇄ 019	Arrêt
		020 ⇄ 024	Marche
		025 ⇄ 064	Stroboscope, rapide à lent
		065 ⇄ 069	Marche
		070 ⇄ 084	Stroboscope 100–0%, rapide à lent
		085 ⇄ 089	Marche
		090 ⇄ 104	Stroboscope 0–100%, rapide à lent
		105 ⇄ 109	Marche
		110 ⇄ 124	Stroboscope aléatoire, rapide à lent
		125 ⇄ 129	Marche
		130 ⇄ 144	Stroboscope aléatoire 100–0%, rapide à lent
		145 ⇄ 149	Marche
		150 ⇄ 164	Stroboscope aléatoire 0–100%, rapide à lent
		165 ⇄ 169	Marche
		170 ⇄ 184	Stroboscope pulsation, rapide à lent
		185 ⇄ 189	Marche
		190 ⇄ 204	Stroboscope pulsation aléatoire, rapide à lent
205 ⇄ 209	Marche		
210 ⇄ 224	Stroboscope 0–100–0%, rapide à lent		
225 ⇄ 229	Marche		
230 ⇄ 244	Stroboscope pulsation aléatoire, rapide à lent		
245 ⇄ 255	Marche		
16	Zoom	000 ⇄ 255	Large à étroit
17	Contrôle	000 ⇄ 009	Pas de fonction
		010 ⇄ 014	Noir général pendant le pan/tilt
		015 ⇄ 019	Réservé pour utilisation future
		020 ⇄ 024	Mode de mélange de couleur RGBW
		025 ⇄ 029	Mode de mélange de couleur CMY (R=C, G=M, B=Y)
		030 ⇄ 049	Réservé pour utilisation future
		050 ⇄ 054	Réinitialisation du pan
		055 ⇄ 059	Réinitialisation du tilt
		060 ⇄ 064	Réinitialisation zoom
		065 ⇄ 069	Réservé pour utilisation future
		070 ⇄ 074	Réinitialisation totale
		075 ⇄ 109	Réservé pour utilisation future
		110 ⇄ 114	Vitesse rapide de pan/tilt
		115 ⇄ 119	Vitesse lente de pan/tilt
		120 ⇄ 124	Mode de vitesse ventilateur lente
		125 ⇄ 129	Mode de vitesse ventilateur plein régime
130 ⇄ 134	Mode de vitesse ventilateur automatique		
135 ⇄ 139	Mode de vitesse de gradation rapide		
140 ⇄ 144	Mode de vitesse de gradation lente		
145 ⇄ 255	Réservé pour utilisation future		
18	Rouge principal	000 ⇄ 255	0–100%
19	Vert principal	000 ⇄ 255	0–100%
20	Bleu principal	000 ⇄ 255	0–100%
21	Blanc principal	000 ⇄ 255	0–100%

**Valeurs “Dual Control” (Movement)**
**“Dual Control”: Mode “Advanced Movement” (27-canal)**

Canal	Fonction	Valeur	Pourcentage/Paramétrage
1	Pan (balayage)	000 ⇔ 255	0–100%
2	Pan fin	000 ⇔ 255	0–100%
3	Tilt (basculement)	000 ⇔ 255	0–100%
4	Tilt Fine	000 ⇔ 255	0–100%
5	Vitesse Pan/Tilt	000 ⇔ 255	Rapide à lent
6	CTC	000	Pas de fonction
		001 ⇔ 255	Température de couleur, 2800–10000 K
7	Macro de Couleur	000	Pas de fonction
		001 ⇔ 255	Macros de couleurs
8	Gobo	000	Pas de fonction
		001 ⇔ 255	Gobos (indexé)
9	Macro LED / Programme Automatique	000 ⇔ 015	Pas de fonction
		016 ⇔ 135	Macros LED
		136 ⇔ 255	Programmes automatique
10	Vitesse pour Macro LED / Programme Automatique	000 ⇔ 127	Rapide à lent
		128	Attente
		129 ⇔ 255	Lent à rapide
11	Décalage interne LED	000 ⇔ 255	Rapide à lent
12	Couleur de l'arrière plan	000	Pas de fonction
		001 ⇔ 002	2700K R = 156 G = 118 B = 0 W = 63
		003 ⇔ 004	3200K R = 156 G = 141 B = 5 W = 89
		005 ⇔ 006	4200K R = 156 G = 141 B = 14 W = 255
		007 ⇔ 008	5600K R = 156 G = 207 B = 54 W = 255
		009 ⇔ 010	8000K R = 130 G = 255 B = 96 W = 255
		011	Bleu R = 0 G = 0 B = 255 W = 0
		012 ⇔ 048	+ Vert R = 0 G = 0–255 B = 255 W = 0
		049	Cyan R = 0 G = 255 B = 255 W = 0
		050 ⇔ 086	- Bleu R = 0 G = 255 B = 255–0 W = 0
		087	Vert R = 0 G = 255 B = 0 W = 0
		088 ⇔ 124	+ Rouge R = 0–255 G = 255 B = 0 W = 0
		125	Jaune R = 255 G = 255 B = 0 W = 0
		126 ⇔ 162	- Vert R = 255 G = 255–0 B = 0 W = 0
		163	Rouge R = 255 G = 0 B = 0 W = 0
		164 ⇔ 200	+ Bleu R = 255 G = 0 B = 0–255 W = 0
		201	Magenta R = 255 G = 0 B = 255 W = 0
		202 ⇔ 238	- Rouge R = 255–0 G = 0 B = 255 W = 0
239	Bleu R = 0 G = 0 B = 255 W = 0		
240 ⇔ 247	Changement de couleur, rapide à lent		
248 ⇔ 255	Saut de couleur, rapide à lent		
13	Gradateur de l'arrière plan	000 ⇔ 255	0–100%
14	Gradateur fin de l'arrière plan	000 ⇔ 255	0–100%
15	Gradateur principal	000 ⇔ 255	0–100%
16	Gradateur fin principal	000 ⇔ 255	0–100%

Canal	Fonction	Valeur	Pourcentage/Paramétrage
17	Obturateur	000 ⇄ 019	Arrêt
		020 ⇄ 024	Marche
		025 ⇄ 064	Stroboscope, rapide à lent
		065 ⇄ 069	Marche
		070 ⇄ 084	Stroboscope 100–0%, rapide à lent
		085 ⇄ 089	Marche
		090 ⇄ 104	Stroboscope 0–100%, rapide à lent
		105 ⇄ 109	Marche
		110 ⇄ 124	Stroboscope aléatoire, rapide à lent
		125 ⇄ 129	Marche
		130 ⇄ 144	Stroboscope aléatoire 100–0%, rapide à lent
		145 ⇄ 149	Marche
		150 ⇄ 164	Stroboscope aléatoire 0–100%, rapide à lent
		165 ⇄ 169	Marche
		170 ⇄ 184	Stroboscope pulsation, rapide à lent
		185 ⇄ 189	Marche
		190 ⇄ 204	Stroboscope pulsation aléatoire, rapide à lent
205 ⇄ 209	Marche		
210 ⇄ 224	Stroboscope 0–100–0%, rapide à lent		
225 ⇄ 229	Marche		
230 ⇄ 244	Stroboscope pulsation aléatoire, rapide à lent		
245 ⇄ 255	Marche		
18	Zoom	000 ⇄ 255	Large à étroit
19	Contrôle	000 ⇄ 009	Pas de fonction
		010 ⇄ 014	Noir général pendant le pan/tilt
		015 ⇄ 019	Réservé pour utilisation future
		020 ⇄ 024	Mode de mélange de couleur RGBW
		025 ⇄ 029	Mode de mélange de couleur CMY (R=C, G=M, B=Y)
		030 ⇄ 049	Réservé pour utilisation future
		050 ⇄ 054	Réinitialisation du pan
		055 ⇄ 059	Réinitialisation du tilt
		060 ⇄ 064	Réinitialisation zoom
		065 ⇄ 069	Réservé pour utilisation future
		070 ⇄ 074	Réinitialisation totale
		075 ⇄ 109	Réservé pour utilisation future
		110 ⇄ 114	Vitesse rapide de pan/tilt
		115 ⇄ 119	Vitesse lente de pan/tilt
		120 ⇄ 124	Mode de vitesse ventilateur lente
125 ⇄ 129	Mode de vitesse ventilateur plein régime		
130 ⇄ 134	Mode de vitesse ventilateur automatique		
135 ⇄ 139	Mode de vitesse de gradation rapide		
140 ⇄ 144	Mode de vitesse de gradation lente		
145 ⇄ 255	Réservé pour utilisation future		
20	Rouge principal	000 ⇄ 255	0–100%
21	Rouge fin principal	000 ⇄ 255	0–100%
22	Vert principal	000 ⇄ 255	0–100%
23	Vert fin principal	000 ⇄ 255	0–100%
24	Bleu principal	000 ⇄ 255	0–100%
25	Bleu fin principal	000 ⇄ 255	0–100%
26	Blanc principal	000 ⇄ 255	0–100%
27	Blanc fin principal	000 ⇄ 255	0–100%



**“Dual Control”: Mode “Standard Movement” (21-canal)**

Canal	Fonction	Valeur	Pourcentage/Paramétrage
1	Pan (balayage)	000 ⇔ 255	0–100%
2	Pan fin	000 ⇔ 255	0–100%
3	Tilt (basculement)	000 ⇔ 255	0–100%
4	Tilt Fine	000 ⇔ 255	0–100%
5	Vitesse Pan/Tilt	000 ⇔ 255	Rapide à lent
6	CTC	000	Pas de fonction
		001 ⇔ 255	Température de couleur, 2800–10000 K
7	Macro de Couleur	000	Pas de fonction
		001 ⇔ 255	Macros de couleurs
8	Gobo	000	Pas de fonction
		001 ⇔ 255	Gobos (indexé)
9	Macro LED / Programme Automatique	000 ⇔ 015	Pas de fonction
		016 ⇔ 135	Macros LED
		136 ⇔ 255	Programmes automatique
10	Vitesse pour Macro LED / Programme Automatique	000 ⇔ 127	Rapide à lent
		128	Attente
		129 ⇔ 255	Lent à rapide
11	Décalage interne LED	000 ⇔ 255	Rapide à lent
12	Couleur de l'arrière plan	000	Pas de fonction
		001 ⇔ 002	2700K R = 156 G = 118 B = 0 W = 63
		003 ⇔ 004	3200K R = 156 G = 141 B = 5 W = 89
		005 ⇔ 006	4200K R = 156 G = 141 B = 14 W = 255
		007 ⇔ 008	5600K R = 156 G = 207 B = 54 W = 255
		009 ⇔ 010	8000K R = 130 G = 255 B = 96 W = 255
		011	Bleu R = 0 G = 0 B = 255 W = 0
		012 ⇔ 048	+ Vert R = 0 G = 0–255 B = 255 W = 0
		049	Cyan R = 0 G = 255 B = 255 W = 0
		050 ⇔ 086	- Bleu R = 0 G = 255 B = 255–0 W = 0
		087	Vert R = 0 G = 255 B = 0 W = 0
		088 ⇔ 124	+ Rouge R = 0–255 G = 255 B = 0 W = 0
		125	Jaune R = 255 G = 255 B = 0 W = 0
		126 ⇔ 162	- Vert R = 255 G = 255–0 B = 0 W = 0
		163	Rouge R = 255 G = 0 B = 0 W = 0
		164 ⇔ 200	+ Bleu R = 255 G = 0 B = 0–255 W = 0
		201	Magenta R = 255 G = 0 B = 255 W = 0
		202 ⇔ 238	- Rouge R = 255–0 G = 0 B = 255 W = 0
		239	Bleu R = 0 G = 0 B = 255 W = 0
		240 ⇔ 247	Changement de couleur, rapide à lent
248 ⇔ 255	Saut de couleur, rapide à lent		
13	Gradateur de l'arrière plan	000 ⇔ 255	0–100%
14	Gradateur principal	000 ⇔ 255	0–100%

Canal	Fonction	Valeur	Pourcentage/Paramétrage
15	Obturbateur	000 ⇄ 019	Arrêt
		020 ⇄ 024	Marche
		025 ⇄ 064	Stroboscope, rapide à lent
		065 ⇄ 069	Marche
		070 ⇄ 084	Stroboscope 100–0%, rapide à lent
		085 ⇄ 089	Marche
		090 ⇄ 104	Stroboscope 0–100%, rapide à lent
		105 ⇄ 109	Marche
		110 ⇄ 124	Stroboscope aléatoire, rapide à lent
		125 ⇄ 129	Marche
		130 ⇄ 144	Stroboscope aléatoire 100–0%, rapide à lent
		145 ⇄ 149	Marche
		150 ⇄ 164	Stroboscope aléatoire 0–100%, rapide à lent
		165 ⇄ 169	Marche
		170 ⇄ 184	Stroboscope pulsation, rapide à lent
		185 ⇄ 189	Marche
		190 ⇄ 204	Stroboscope pulsation aléatoire, rapide à lent
205 ⇄ 209	Marche		
210 ⇄ 224	Stroboscope 0–100–0%, rapide à lent		
225 ⇄ 229	Marche		
230 ⇄ 244	Stroboscope pulsation aléatoire, rapide à lent		
245 ⇄ 255	Marche		
16	Zoom	000 ⇄ 255	Large à étroit
17	Contrôle	000 ⇄ 009	Pas de fonction
		010 ⇄ 014	Noir général pendant le pan/tilt
		015 ⇄ 019	Réservé pour utilisation future
		020 ⇄ 024	Mode de mélange de couleur RGBW
		025 ⇄ 029	Mode de mélange de couleur CMY (R=C, G=M, B=Y)
		030 ⇄ 049	Réservé pour utilisation future
		050 ⇄ 054	Réinitialisation du pan
		055 ⇄ 059	Réinitialisation du tilt
		060 ⇄ 064	Réinitialisation zoom
		065 ⇄ 069	Réservé pour utilisation future
		070 ⇄ 074	Réinitialisation totale
		075 ⇄ 109	Réservé pour utilisation future
		110 ⇄ 114	Vitesse rapide de pan/tilt
		115 ⇄ 119	Vitesse lente de pan/tilt
		120 ⇄ 124	Mode de vitesse ventilateur lente
		125 ⇄ 129	Mode de vitesse ventilateur plein régime
130 ⇄ 134	Mode de vitesse ventilateur automatique		
135 ⇄ 139	Mode de vitesse de gradation rapide		
140 ⇄ 144	Mode de vitesse de gradation lente		
145 ⇄ 255	Réservé pour utilisation future		
18	Rouge principal	000 ⇄ 255	0–100%
19	Vert principal	000 ⇄ 255	0–100%
20	Bleu principal	000 ⇄ 255	0–100%
21	Blanc principal	000 ⇄ 255	0–100%

**“Dual Control”: Mode “Basic Movement” (9-canal)**

Canal	Fonction	Valeur	Pourcentage/Paramétrage
1	<b>Pan (balayage)</b>	000 ⇔ 255	0–100%
2	<b>Pan fin</b>	000 ⇔ 255	0–100%
3	<b>Tilt (basculement)</b>	000 ⇔ 255	0–100%
4	<b>Tilt Fine</b>	000 ⇔ 255	0–100%
5	<b>Vitesse Pan/Tilt</b>	000 ⇔ 255	Rapide à lent
6	<b>Gradateur principal</b>	000 ⇔ 255	0–100%
7	<b>Obturateur</b>	000 ⇔ 019	Arrêt
		020 ⇔ 024	Marche
		025 ⇔ 064	Stroboscope, rapide à lent
		065 ⇔ 069	Marche
		070 ⇔ 084	Stroboscope 100–0%, rapide à lent
		085 ⇔ 089	Marche
		090 ⇔ 104	Stroboscope 0–100%, rapide à lent
		105 ⇔ 109	Marche
		110 ⇔ 124	Stroboscope aléatoire, rapide à lent
		125 ⇔ 129	Marche
		130 ⇔ 144	Stroboscope aléatoire 100–0%, rapide à lent
		145 ⇔ 149	Marche
		150 ⇔ 164	Stroboscope aléatoire 0–100%, rapide à lent
		165 ⇔ 169	Marche
		170 ⇔ 184	Stroboscope pulsation, rapide à lent
		185 ⇔ 189	Marche
190 ⇔ 204	Stroboscope pulsation aléatoire, rapide à lent		
205 ⇔ 209	Marche		
210 ⇔ 224	Stroboscope 0–100–0%, rapide à lent		
225 ⇔ 229	Marche		
230 ⇔ 244	Stroboscope pulsation aléatoire, rapide à lent		
245 ⇔ 255	Marche		
8	<b>Zoom</b>	000 ⇔ 255	Large à étroit
9	<b>Contrôle</b>	000 ⇔ 009	Pas de fonction
		010 ⇔ 014	Noir général pendant le pan/tilt
		015 ⇔ 019	Réservé pour utilisation future
		020 ⇔ 024	Mode de mélange de couleur RGBW
		025 ⇔ 029	Mode de mélange de couleur CMY (R=C, G=M, B=Y)
		030 ⇔ 049	Réservé pour utilisation future
		050 ⇔ 054	Réinitialisation du pan
		055 ⇔ 059	Réinitialisation du tilt
		060 ⇔ 064	Réinitialisation zoom
		065 ⇔ 069	Réservé pour utilisation future
		070 ⇔ 074	Réinitialisation totale
		075 ⇔ 109	Réservé pour utilisation future
		110 ⇔ 114	Vitesse rapide de pan/tilt
		115 ⇔ 119	Vitesse lente de pan/tilt
		120 ⇔ 124	Mode de vitesse ventilateur lente
		125 ⇔ 129	Mode de vitesse ventilateur plein régime
		130 ⇔ 134	Mode de vitesse ventilateur automatique
		135 ⇔ 139	Mode de vitesse de gradation rapide
140 ⇔ 144	Mode de vitesse de gradation lente		
145 ⇔ 255	Réservé pour utilisation future		

**Valeurs “Dual Control” (Pixels)**

“Dual Control”: Mode “Advanced Pixels” (216-canal)

Canal	Fonction	Valeur	Pourcentage/Paramétrage
1	Rouge 1	000 ⇄ 255	0–100%
2	Rouge fin 1	000 ⇄ 255	0–100%
3	Vert 1	000 ⇄ 255	0–100%
4	Vert fin 1	000 ⇄ 255	0–100%
5	Bleu 1	000 ⇄ 255	0–100%
6	Bleu fin 1	000 ⇄ 255	0–100%
7	Blanc 1	000 ⇄ 255	0–100%
8	Blanc fin 1	000 ⇄ 255	0–100%
9	Rouge 2	000 ⇄ 255	0–100%
10	Rouge fin 2	000 ⇄ 255	0–100%
11	Vert 2	000 ⇄ 255	0–100%
12	Vert fin 2	000 ⇄ 255	0–100%
13	Bleu 2	000 ⇄ 255	0–100%
14	Bleu fin 2	000 ⇄ 255	0–100%
15	Blanc 2	000 ⇄ 255	0–100%
16	Blanc fin 2	000 ⇄ 255	0–100%
17	Rouge 3	000 ⇄ 255	0–100%
18	Rouge fin 3	000 ⇄ 255	0–100%
19	Vert 3	000 ⇄ 255	0–100%
20	Vert fin 3	000 ⇄ 255	0–100%
21	Bleu 3	000 ⇄ 255	0–100%
22	Bleu fin 3	000 ⇄ 255	0–100%
23	Blanc 3	000 ⇄ 255	0–100%
24	Blanc fin 3	000 ⇄ 255	0–100%
25	Rouge 4	000 ⇄ 255	0–100%
26	Rouge fin 4	000 ⇄ 255	0–100%
27	Vert 4	000 ⇄ 255	0–100%
28	Vert fin 4	000 ⇄ 255	0–100%
29	Bleu 4	000 ⇄ 255	0–100%
30	Bleu fin 4	000 ⇄ 255	0–100%
31	Blanc 4	000 ⇄ 255	0–100%
32	Blanc fin 4	000 ⇄ 255	0–100%
33	Rouge 5	000 ⇄ 255	0–100%
34	Rouge fin 5	000 ⇄ 255	0–100%
35	Vert 5	000 ⇄ 255	0–100%
36	Vert fin 5	000 ⇄ 255	0–100%
37	Bleu 5	000 ⇄ 255	0–100%
38	Bleu fin 5	000 ⇄ 255	0–100%
39	Blanc 5	000 ⇄ 255	0–100%
40	Blanc fin 5	000 ⇄ 255	0–100%
41	Rouge 6	000 ⇄ 255	0–100%
42	Rouge fin 6	000 ⇄ 255	0–100%
43	Vert 6	000 ⇄ 255	0–100%
44	Vert fin 6	000 ⇄ 255	0–100%
45	Bleu 6	000 ⇄ 255	0–100%
46	Bleu fin 6	000 ⇄ 255	0–100%
47	Blanc 6	000 ⇄ 255	0–100%
48	Blanc fin 6	000 ⇄ 255	0–100%
49	Rouge 7	000 ⇄ 255	0–100%
50	Rouge fin 7	000 ⇄ 255	0–100%
51	Vert 7	000 ⇄ 255	0–100%
52	Vert fin 7	000 ⇄ 255	0–100%

Canal	Fonction	Valeur	Pourcentage/Paramétrage
53	Bleu 7	000 ⇔ 255	0-100%
54	Bleu fin 7	000 ⇔ 255	0-100%
55	Blanc 7	000 ⇔ 255	0-100%
56	Blanc fin 7	000 ⇔ 255	0-100%
57	Rouge 8	000 ⇔ 255	0-100%
58	Rouge fin 8	000 ⇔ 255	0-100%
59	Vert 8	000 ⇔ 255	0-100%
60	Vert fin 8	000 ⇔ 255	0-100%
61	Bleu 8	000 ⇔ 255	0-100%
62	Bleu fin 8	000 ⇔ 255	0-100%
63	Blanc 8	000 ⇔ 255	0-100%
64	Blanc fin 8	000 ⇔ 255	0-100%
65	Rouge 9	000 ⇔ 255	0-100%
66	Rouge fin 9	000 ⇔ 255	0-100%
67	Vert 9	000 ⇔ 255	0-100%
68	Vert fin 9	000 ⇔ 255	0-100%
69	Bleu 9	000 ⇔ 255	0-100%
70	Bleu fin 9	000 ⇔ 255	0-100%
71	Blanc 9	000 ⇔ 255	0-100%
72	Blanc fin 9	000 ⇔ 255	0-100%
73	Rouge 10	000 ⇔ 255	0-100%
74	Rouge fin 10	000 ⇔ 255	0-100%
75	Vert 10	000 ⇔ 255	0-100%
76	Vert fin 10	000 ⇔ 255	0-100%
77	Bleu 10	000 ⇔ 255	0-100%
78	Bleu fin 10	000 ⇔ 255	0-100%
79	Blanc 10	000 ⇔ 255	0-100%
80	Blanc fin 10	000 ⇔ 255	0-100%
81	Rouge 11	000 ⇔ 255	0-100%
82	Rouge fin 11	000 ⇔ 255	0-100%
83	Vert 11	000 ⇔ 255	0-100%
84	Vert fin 11	000 ⇔ 255	0-100%
85	Bleu 11	000 ⇔ 255	0-100%
86	Bleu fin 11	000 ⇔ 255	0-100%
87	Blanc 11	000 ⇔ 255	0-100%
88	Blanc fin 11	000 ⇔ 255	0-100%
89	Rouge 12	000 ⇔ 255	0-100%
90	Rouge fin 12	000 ⇔ 255	0-100%
91	Vert 12	000 ⇔ 255	0-100%
92	Vert fin 12	000 ⇔ 255	0-100%
93	Bleu 12	000 ⇔ 255	0-100%
94	Bleu fin 12	000 ⇔ 255	0-100%
95	Blanc 12	000 ⇔ 255	0-100%
96	Blanc fin 12	000 ⇔ 255	0-100%
97	Rouge 13	000 ⇔ 255	0-100%
98	Rouge fin 13	000 ⇔ 255	0-100%
99	Vert 13	000 ⇔ 255	0-100%
100	Vert fin 13	000 ⇔ 255	0-100%
101	Bleu 13	000 ⇔ 255	0-100%
102	Bleu fin 13	000 ⇔ 255	0-100%
103	Blanc 13	000 ⇔ 255	0-100%
104	Blanc fin 13	000 ⇔ 255	0-100%
105	Rouge 14	000 ⇔ 255	0-100%
106	Rouge fin 14	000 ⇔ 255	0-100%
107	Vert 14	000 ⇔ 255	0-100%

Canal	Fonction	Valeur	Pourcentage/Paramétrage
108	Vert fin 14	000 ⇄ 255	0–100%
109	Bleu 14	000 ⇄ 255	0–100%
110	Bleu fin 14	000 ⇄ 255	0–100%
111	Blanc 14	000 ⇄ 255	0–100%
112	Blanc fin 14	000 ⇄ 255	0–100%
113	Rouge 15	000 ⇄ 255	0–100%
114	Rouge fin 15	000 ⇄ 255	0–100%
115	Vert 15	000 ⇄ 255	0–100%
116	Vert fin 15	000 ⇄ 255	0–100%
117	Bleu 15	000 ⇄ 255	0–100%
118	Bleu fin 15	000 ⇄ 255	0–100%
119	Blanc 15	000 ⇄ 255	0–100%
120	Blanc fin 15	000 ⇄ 255	0–100%
121	Rouge 16	000 ⇄ 255	0–100%
122	Rouge fin 16	000 ⇄ 255	0–100%
123	Vert 16	000 ⇄ 255	0–100%
124	Vert fin 16	000 ⇄ 255	0–100%
125	Bleu 16	000 ⇄ 255	0–100%
126	Bleu fin 16	000 ⇄ 255	0–100%
127	Blanc 16	000 ⇄ 255	0–100%
128	Blanc fin 16	000 ⇄ 255	0–100%
129	Rouge 17	000 ⇄ 255	0–100%
130	Rouge fin 17	000 ⇄ 255	0–100%
131	Vert 17	000 ⇄ 255	0–100%
132	Vert fin 17	000 ⇄ 255	0–100%
133	Bleu 17	000 ⇄ 255	0–100%
134	Bleu fin 17	000 ⇄ 255	0–100%
135	Blanc 17	000 ⇄ 255	0–100%
136	Blanc fin 17	000 ⇄ 255	0–100%
137	Rouge 18	000 ⇄ 255	0–100%
138	Rouge fin 18	000 ⇄ 255	0–100%
139	Vert 18	000 ⇄ 255	0–100%
140	Vert fin 18	000 ⇄ 255	0–100%
141	Bleu 18	000 ⇄ 255	0–100%
142	Bleu fin 18	000 ⇄ 255	0–100%
143	Blanc 18	000 ⇄ 255	0–100%
144	Blanc fin 18	000 ⇄ 255	0–100%
145	Rouge 19	000 ⇄ 255	0–100%
146	Rouge fin 19	000 ⇄ 255	0–100%
147	Vert 19	000 ⇄ 255	0–100%
148	Vert fin 19	000 ⇄ 255	0–100%
149	Bleu 19	000 ⇄ 255	0–100%
150	Bleu fin 19	000 ⇄ 255	0–100%
151	Blanc 19	000 ⇄ 255	0–100%
152	Blanc fin 19	000 ⇄ 255	0–100%
153	Rouge 20	000 ⇄ 255	0–100%
154	Rouge fin 20	000 ⇄ 255	0–100%
155	Vert 20	000 ⇄ 255	0–100%
156	Vert fin 20	000 ⇄ 255	0–100%
157	Bleu 20	000 ⇄ 255	0–100%
158	Bleu fin 20	000 ⇄ 255	0–100%
159	Blanc 20	000 ⇄ 255	0–100%
160	Blanc fin 20	000 ⇄ 255	0–100%
161	Rouge 21	000 ⇄ 255	0–100%
162	Rouge fin 21	000 ⇄ 255	0–100%

Canal	Fonction	Valeur	Pourcentage/Paramétrage
163	Vert 21	000 ⇔ 255	0-100%
164	Vert fin 21	000 ⇔ 255	0-100%
165	Bleu 21	000 ⇔ 255	0-100%
166	Bleu fin 21	000 ⇔ 255	0-100%
167	Blanc 21	000 ⇔ 255	0-100%
168	Blanc fin 21	000 ⇔ 255	0-100%
169	Rouge 22	000 ⇔ 255	0-100%
170	Rouge fin 22	000 ⇔ 255	0-100%
171	Vert 22	000 ⇔ 255	0-100%
172	Vert fin 22	000 ⇔ 255	0-100%
173	Bleu 22	000 ⇔ 255	0-100%
174	Bleu fin 22	000 ⇔ 255	0-100%
175	Blanc 22	000 ⇔ 255	0-100%
176	Blanc fin 22	000 ⇔ 255	0-100%
177	Rouge 23	000 ⇔ 255	0-100%
178	Rouge fin 23	000 ⇔ 255	0-100%
179	Vert 23	000 ⇔ 255	0-100%
180	Vert fin 23	000 ⇔ 255	0-100%
181	Bleu 23	000 ⇔ 255	0-100%
182	Bleu fin 23	000 ⇔ 255	0-100%
183	Blanc 23	000 ⇔ 255	0-100%
184	Blanc fin 23	000 ⇔ 255	0-100%
185	Rouge 24	000 ⇔ 255	0-100%
186	Rouge fin 24	000 ⇔ 255	0-100%
187	Vert 24	000 ⇔ 255	0-100%
188	Vert fin 24	000 ⇔ 255	0-100%
189	Bleu 24	000 ⇔ 255	0-100%
190	Bleu fin 24	000 ⇔ 255	0-100%
191	Blanc 24	000 ⇔ 255	0-100%
192	Blanc fin 24	000 ⇔ 255	0-100%
193	Rouge 25	000 ⇔ 255	0-100%
194	Rouge fin 25	000 ⇔ 255	0-100%
195	Vert 25	000 ⇔ 255	0-100%
196	Vert fin 25	000 ⇔ 255	0-100%
197	Bleu 25	000 ⇔ 255	0-100%
198	Bleu fin 25	000 ⇔ 255	0-100%
199	Blanc 25	000 ⇔ 255	0-100%
200	Blanc fin 25	000 ⇔ 255	0-100%
201	Rouge 26	000 ⇔ 255	0-100%
202	Rouge fin 26	000 ⇔ 255	0-100%
203	Vert 26	000 ⇔ 255	0-100%
204	Vert fin 26	000 ⇔ 255	0-100%
205	Bleu 26	000 ⇔ 255	0-100%
206	Bleu fin 26	000 ⇔ 255	0-100%
207	Blanc 26	000 ⇔ 255	0-100%
208	Blanc fin 26	000 ⇔ 255	0-100%
209	Rouge 27	000 ⇔ 255	0-100%
210	Rouge fin 27	000 ⇔ 255	0-100%
211	Vert 27	000 ⇔ 255	0-100%
212	Vert fin 27	000 ⇔ 255	0-100%
213	Bleu 27	000 ⇔ 255	0-100%
214	Bleu fin 27	000 ⇔ 255	0-100%
215	Blanc 27	000 ⇔ 255	0-100%
216	Blanc fin 27	000 ⇔ 255	0-100%



“Dual Control”: Mode “Standard Pixels” (108-canal)

Canal	Fonction	Valeur	Pourcentage/Paramétrage
1	Rouge 1	000 ⇄ 255	0–100%
2	Vert 1	000 ⇄ 255	0–100%
3	Bleu 1	000 ⇄ 255	0–100%
4	Blanc 1	000 ⇄ 255	0–100%
5	Rouge 2	000 ⇄ 255	0–100%
6	Vert 2	000 ⇄ 255	0–100%
7	Bleu 2	000 ⇄ 255	0–100%
8	Blanc 2	000 ⇄ 255	0–100%
9	Rouge 3	000 ⇄ 255	0–100%
10	Vert3	000 ⇄ 255	0–100%
11	Bleu 3	000 ⇄ 255	0–100%
12	Blanc 3	000 ⇄ 255	0–100%
13	Rouge 4	000 ⇄ 255	0–100%
14	Vert 4	000 ⇄ 255	0–100%
15	Bleu 4	000 ⇄ 255	0–100%
16	Blanc 4	000 ⇄ 255	0–100%
17	Rouge 5	000 ⇄ 255	0–100%
18	Vert 5	000 ⇄ 255	0–100%
19	Bleu 5	000 ⇄ 255	0–100%
20	Blanc 5	000 ⇄ 255	0–100%
21	Rouge 6	000 ⇄ 255	0–100%
22	Vert 6	000 ⇄ 255	0–100%
23	Bleu 6	000 ⇄ 255	0–100%
24	Blanc 6	000 ⇄ 255	0–100%
25	Rouge 7	000 ⇄ 255	0–100%
26	Vert 7	000 ⇄ 255	0–100%
27	Bleu 7	000 ⇄ 255	0–100%
28	Blanc 7	000 ⇄ 255	0–100%
29	Rouge 8	000 ⇄ 255	0–100%
30	Vert 8	000 ⇄ 255	0–100%
31	Bleu 8	000 ⇄ 255	0–100%
32	Blanc 8	000 ⇄ 255	0–100%
33	Rouge 9	000 ⇄ 255	0–100%
34	Vert 9	000 ⇄ 255	0–100%
35	Bleu 9	000 ⇄ 255	0–100%
36	Blanc 9	000 ⇄ 255	0–100%
37	Rouge 10	000 ⇄ 255	0–100%
38	Vert10	000 ⇄ 255	0–100%
39	Bleu 10	000 ⇄ 255	0–100%
40	Blanc 10	000 ⇄ 255	0–100%
41	Rouge 11	000 ⇄ 255	0–100%
42	Vert 11	000 ⇄ 255	0–100%
43	Bleu 11	000 ⇄ 255	0–100%
44	Blanc 11	000 ⇄ 255	0–100%
45	Rouge 12	000 ⇄ 255	0–100%
46	Vert 12	000 ⇄ 255	0–100%
47	Bleu 12	000 ⇄ 255	0–100%
48	Blanc 12	000 ⇄ 255	0–100%
49	Rouge 13	000 ⇄ 255	0–100%
50	Vert 13	000 ⇄ 255	0–100%
51	Bleu 13	000 ⇄ 255	0–100%
52	Blanc 13	000 ⇄ 255	0–100%
53	Rouge 14	000 ⇄ 255	0–100%
54	Vert 14	000 ⇄ 255	0–100%

Canal	Fonction	Valeur	Pourcentage/Paramétrage
55	Bleu 14	000 ⇔ 255	0-100%
56	Blanc 14	000 ⇔ 255	0-100%
57	Rouge 15	000 ⇔ 255	0-100%
58	Vert 15	000 ⇔ 255	0-100%
59	Bleu 15	000 ⇔ 255	0-100%
60	Blanc 15	000 ⇔ 255	0-100%
61	Rouge 16	000 ⇔ 255	0-100%
62	Vert 16	000 ⇔ 255	0-100%
63	Bleu 16	000 ⇔ 255	0-100%
64	Blanc 16	000 ⇔ 255	0-100%
65	Rouge 17	000 ⇔ 255	0-100%
66	Vert 17	000 ⇔ 255	0-100%
67	Bleu 17	000 ⇔ 255	0-100%
68	Blanc 17	000 ⇔ 255	0-100%
69	Rouge 18	000 ⇔ 255	0-100%
70	Vert 18	000 ⇔ 255	0-100%
71	Bleu 18	000 ⇔ 255	0-100%
72	Blanc 18	000 ⇔ 255	0-100%
73	Rouge 19	000 ⇔ 255	0-100%
74	Vert 19	000 ⇔ 255	0-100%
75	Bleu 19	000 ⇔ 255	0-100%
76	Blanc 19	000 ⇔ 255	0-100%
77	Rouge 20	000 ⇔ 255	0-100%
78	Vert 20	000 ⇔ 255	0-100%
79	Bleu 20	000 ⇔ 255	0-100%
80	Blanc 20	000 ⇔ 255	0-100%
81	Rouge 21	000 ⇔ 255	0-100%
82	Vert 21	000 ⇔ 255	0-100%
83	Bleu 21	000 ⇔ 255	0-100%
84	Blanc 21	000 ⇔ 255	0-100%
85	Rouge 22	000 ⇔ 255	0-100%
86	Vert 22	000 ⇔ 255	0-100%
87	Bleu 22	000 ⇔ 255	0-100%
88	Blanc 22	000 ⇔ 255	0-100%
89	Rouge 23	000 ⇔ 255	0-100%
90	Vert 23	000 ⇔ 255	0-100%
91	Bleu 23	000 ⇔ 255	0-100%
92	Blanc 23	000 ⇔ 255	0-100%
93	Rouge 24	000 ⇔ 255	0-100%
94	Vert 24	000 ⇔ 255	0-100%
95	Bleu 24	000 ⇔ 255	0-100%
96	Blanc 24	000 ⇔ 255	0-100%
97	Rouge 25	000 ⇔ 255	0-100%
98	Vert 25	000 ⇔ 255	0-100%
99	Bleu 25	000 ⇔ 255	0-100%
100	Blanc 25	000 ⇔ 255	0-100%
101	Rouge 26	000 ⇔ 255	0-100%
102	Vert 26	000 ⇔ 255	0-100%
103	Bleu 26	000 ⇔ 255	0-100%
104	Blanc 26	000 ⇔ 255	0-100%
105	Rouge 27	000 ⇔ 255	0-100%
106	Vert 27	000 ⇔ 255	0-100%
107	Bleu 27	000 ⇔ 255	0-100%
108	Blanc 27	000 ⇔ 255	0-100%

“Dual Control”: Mode “Basic Pixels” (81-canal)

Canal	Fonction	Valeur	Pourcentage/Paramétrage
1	Rouge 1	000 ⇄ 255	0–100%
2	Vert 1	000 ⇄ 255	0–100%
3	Bleu 1	000 ⇄ 255	0–100%
4	Rouge 2	000 ⇄ 255	0–100%
5	Vert 2	000 ⇄ 255	0–100%
6	Bleu 2	000 ⇄ 255	0–100%
7	Rouge 3	000 ⇄ 255	0–100%
8	Vert 3	000 ⇄ 255	0–100%
9	Bleu 3	000 ⇄ 255	0–100%
10	Rouge 4	000 ⇄ 255	0–100%
11	Vert 4	000 ⇄ 255	0–100%
12	Bleu 4	000 ⇄ 255	0–100%
13	Rouge 5	000 ⇄ 255	0–100%
14	Vert 5	000 ⇄ 255	0–100%
15	Bleu 5	000 ⇄ 255	0–100%
16	Rouge 6	000 ⇄ 255	0–100%
17	Vert 6	000 ⇄ 255	0–100%
18	Bleu 6	000 ⇄ 255	0–100%
19	Rouge 7	000 ⇄ 255	0–100%
20	Vert 7	000 ⇄ 255	0–100%
21	Bleu 7	000 ⇄ 255	0–100%
22	Rouge 8	000 ⇄ 255	0–100%
23	Vert 8	000 ⇄ 255	0–100%
24	Bleu 8	000 ⇄ 255	0–100%
25	Rouge 9	000 ⇄ 255	0–100%
26	Vert 9	000 ⇄ 255	0–100%
27	Bleu 9	000 ⇄ 255	0–100%
28	Rouge 10	000 ⇄ 255	0–100%
29	Vert 10	000 ⇄ 255	0–100%
30	Bleu 10	000 ⇄ 255	0–100%
31	Rouge 11	000 ⇄ 255	0–100%
32	Vert 11	000 ⇄ 255	0–100%
33	Bleu 11	000 ⇄ 255	0–100%
34	Rouge 12	000 ⇄ 255	0–100%
35	Vert 12	000 ⇄ 255	0–100%
36	Bleu 12	000 ⇄ 255	0–100%
37	Rouge 13	000 ⇄ 255	0–100%
38	Vert 13	000 ⇄ 255	0–100%
39	Bleu 13	000 ⇄ 255	0–100%
40	Rouge 14	000 ⇄ 255	0–100%
41	Vert 14	000 ⇄ 255	0–100%
42	Bleu 14	000 ⇄ 255	0–100%
43	Rouge 15	000 ⇄ 255	0–100%
44	Vert 15	000 ⇄ 255	0–100%
45	Bleu 15	000 ⇄ 255	0–100%
46	Rouge 16	000 ⇄ 255	0–100%
47	Vert 16	000 ⇄ 255	0–100%
48	Bleu 16	000 ⇄ 255	0–100%
49	Rouge 17	000 ⇄ 255	0–100%
50	Vert 17	000 ⇄ 255	0–100%
51	Bleu 17	000 ⇄ 255	0–100%
52	Rouge 18	000 ⇄ 255	0–100%
53	Vert 18	000 ⇄ 255	0–100%
54	Bleu 18	000 ⇄ 255	0–100%

Canal	Fonction	Valeur	Pourcentage/Paramétrage
55	Rouge 19	000 ⇔ 255	0-100%
56	Vert 19	000 ⇔ 255	0-100%
57	Bleu 19	000 ⇔ 255	0-100%
58	Rouge 20	000 ⇔ 255	0-100%
59	Vert 20	000 ⇔ 255	0-100%
60	Bleu 20	000 ⇔ 255	0-100%
61	Rouge 21	000 ⇔ 255	0-100%
62	Vert 21	000 ⇔ 255	0-100%
63	Bleu 21	000 ⇔ 255	0-100%
64	Rouge 22	000 ⇔ 255	0-100%
65	Vert 22	000 ⇔ 255	0-100%
66	Bleu 22	000 ⇔ 255	0-100%
67	Rouge 23	000 ⇔ 255	0-100%
68	Vert 23	000 ⇔ 255	0-100%
69	Bleu 23	000 ⇔ 255	0-100%
70	Rouge 24	000 ⇔ 255	0-100%
71	Vert 24	000 ⇔ 255	0-100%
72	Bleu 24	000 ⇔ 255	0-100%
73	Rouge 25	000 ⇔ 255	0-100%
74	Vert 25	000 ⇔ 255	0-100%
75	Bleu 25	000 ⇔ 255	0-100%
76	Rouge 26	000 ⇔ 255	0-100%
77	Vert 26	000 ⇔ 255	0-100%
78	Bleu 26	000 ⇔ 255	0-100%
79	Rouge 27	000 ⇔ 255	0-100%
80	Vert 27	000 ⇔ 255	0-100%
81	Bleu 27	000 ⇔ 255	0-100%

## Over deze handleiding

De Maverick MK3 Wash Beknopte Handleiding (BH) bevat basisinformatie over het product, zoals aansluiting, montage, menu-opties en DMX-waarden. Download de gebruikershandleiding op [www.chauvetprofessional.com](http://www.chauvetprofessional.com) voor meer informatie.

### Disclaimer

De informatie en specificaties in deze BH kunnen zonder voorafgaande kennisgeving worden gewijzigd.

### Veiligheidsinstructies

Deze veiligheidsinstructies bevatten belangrijke informatie over de installatie, het gebruik en het onderhoud.

- Open het product NIET. Het bevat geen te onderhouden onderdelen.
- KIJK NIET in de lichtbron wanneer het apparaat is ingeschakeld.
- Om onnodige slijtage te elimineren en zijn levensduur te verlengen, gedurende perioden wanneer het product niet wordt gebruikt, moet u het product van de stroom afsluiten door een aardlekschakelaar om te zetten of door het te ontkoppelen.
- LET OP: Bij het verplaatsen van het product uit extreme omgevingen, (bijv. koude vrachtwagen naar warme, vochtige balzaal) kan er condensvorming optreden op de elektronica van het product. Om storingen te vermijden moet het product volledig kunnen acclimatiseren aan de omgeving voordat het op stroom wordt aangesloten.
- LET OP: De behuizing van dit product kan heet zijn wanneer het in bedrijf is.
- Monteer dit product op een plek met voldoende ventilatie, ten minste 50 cm van de aangrenzende oppervlakken.
- Plaats geen ontvlambaar materiaal binnen 50 cm van dit product als het in gebruik is of is aangesloten op het stopcontact.
- GEBRUIK een veiligheidskabel bij het boven het hoofd plaatsen van dit product.
- Gebruik dit product NIET buitenshuis of op een locatie waar stof, grote warmte, water of vochtigheid het kunnen beïnvloeden. (IP20)
- Gebruik dit product NIET als de behuizing, lenzen of kabels beschadigd lijken.
- Sluit dit product NIET aan op een dimmer of een regelweerstand.
- Sluit dit product UITSLUITEND op een geaard en beveiligd stroomcircuit.
- Gebruik UITSLUITEND de montagebeugels of de hendels om dit product te dragen. Draag het product niet aan de bewegende kop.
- Stop in het geval van ernstige operationele problemen onmiddellijk met het gebruik.
- De maximale omgevingstemperatuur bedraagt 45 °C. Gebruik dit product niet bij hogere temperaturen.

### Contact

Van buiten de VS, Verenigd Koninkrijk, Ierland, Mexico of België kunt u contact opnemen met de distributeur of om ondersteuning vragen dan wel het product retourneren. Ga naar [www.chauvetprofessional.com](http://www.chauvetprofessional.com) voor contactinformatie.

### Wat is inbegrepen

- Maverick MK3 Wash
- Seetronic Powerkon stroomsnoer
- 2 Omegabeugels met bevestigingsapparatuur
- Garantiekaart
- Beknopte handleiding

### AC-stroom

Dit product heeft een voeding met automatisch bereik die werkt met een ingangsspanning van 100–240 VAC, 50/60 Hz.

### AC-stekker

Aansluiting	Snoer (VS)	Snoer (Europa)	Schroefkleur
AC Live	Zwart	Bruin	Geel/messing
AC Neutraal	Wit	Blauw	Zilver
AC Aarde	Groen/geel	Groen/geel	Groen



**Om onnodige slijtage te elimineren en zijn levensduur te verlengen, gedurende perioden wanneer het product niet wordt gebruikt, moet u het product van de stroom afsluiten door een aardlekschakelaar om te zetten of door het te ontkoppelen.**

### Vervangen van de zekering

1. Ontkoppel dit product van de stroom.
2. Gebruik een platkopschroevendraaier en schroef de kap van de zekeringhouder los van de behuizing.
3. Verwijder de doorgebrande zekering en vervang het met een werkende zekering van hetzelfde type en met dezelfde waarde.
4. Schroef de kap van de zekeringhouder terug en steek de stekker er weer in.

## Signaalverbindingen

U kunt de Maverick MK3 Wash aansluiten op een controller of controllersoftware met behulp van een DMX-aansluiting, een ethernetverbinding of beide. Bij het gebruik van andere Art-Net™, sACN, of Kling-Net-compatible producten met de Maverick MK3 Wash, kunt u deze individueel aansturen op een enkel netwerk. Zie de gebruikershandleiding voor meer informatie over het verbinden en configureren van het product voor deze signalen.

### Aansturingspersoonlijkheden

De Maverick MK3 Wash gebruikt DMX, Art-Net™, sACN en Kling-Net voor zijn aansturingspersoonlijkheden:

Single Control	Dual Control Movement	Dual Control Pixels
<b>Basic</b> (21-kanaal)	<b>Basic</b> (9-kanaal)	<b>Basic</b> (81-kanaal)
<b>Standard</b> (129-kanaal)	<b>Standard</b> (21-kanaal)	<b>Standard</b> (108-kanaal)
<b>Advanced</b> (243-kanaal)	<b>Advanced</b> (27-kanaal)	<b>Advanced</b> (216-kanaal)
<b>Tour</b> (297-kanaal)		
Gebruikt DMX, Art-Net™, sACN, of WDMX	Gebruikt DMX, Art-Net™, of sACN	Gebruikt DMX, Art-Net™, sACN, of Kling-Net



In "Dual Control"-modus kunnen het "Movement"-protocol en het "Pixels"-protocol niet hetzelfde zijn.

### DMX-aansluiting

De Maverick MK3 Wash kan met een DMX-controller werken met een 3-pins of 5-pins DMX-gegevensverbinding. Op [www.chauvetprofessional.com](http://www.chauvetprofessional.com) is een DMX-basishandleiding verkrijgbaar.

### Art-Net™-aansluiting

Art-Net™ is een ethernet-protocol dat gebruikmaakt van TCP/IP dat over een groot netwerk grote hoeveelheden DMX512-gegevens verzendt met behulp van een etherCON RJ45-verbinding. Een Art-Net™-protocoldocument is te verkrijgen op [www.chauvetprofessional.com](http://www.chauvetprofessional.com). Chauvet Professional raadt het gebruik van unicast-modus voor het beste resultaat.

Art-Net™ ontworpen en auteursrecht door Artistic Licence Holdings Ltd.

### sACN-aansluiting

Streaming-ACN staat ook wel bekend als ANSI E1.31 en is een ethernetprotocol dat de laag- en opmaakstructuur gebruikt van Architecture for Control Networks om DMX512-gegevens te transporteren over IP of een ander ACN compatibel netwerk. ACN wordt onderhouden door de Professional Lighting and Sound Association (PLASA).

### Kling-Net-aansluiting

Kling-Net is een netwerkprotocol dat de automatische configuratie van displayapparaten met een etherCON RJ45 Ethernet-verbinding mogelijk maakt. Raadpleeg de ArKaos softwarehandleiding voor uitgebreide instructies over het programmeren van dit product.



Voor een goede werking heeft de ArKaos Kling-Net een gigabit (1000 Mbps) Ethernet-kaart en een netwerkrouter nodig.



ArKaos Kling-Net loopt alleen in "Standard Pixels" of "Basic Pixels"-modi.

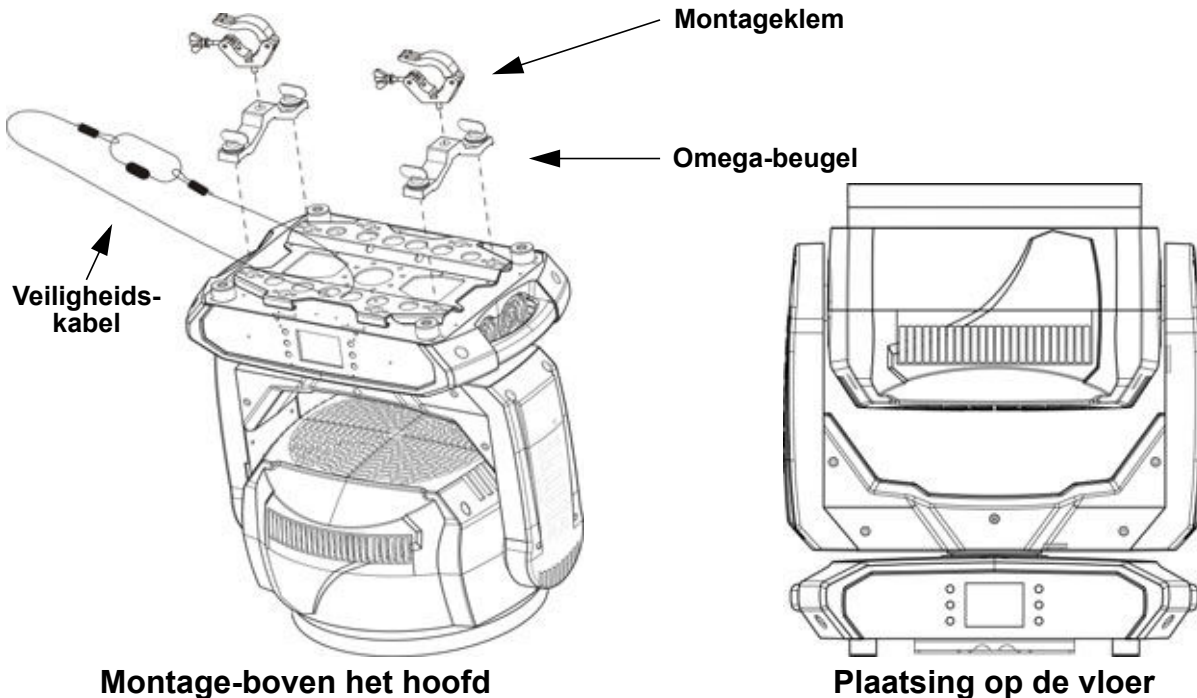
### RDM (apparaatbeheer op afstand)

Remote Device Management of RDM (apparaatbeheer op afstand) is een standaard die het voor DMX-apparaten mogelijk maakt om in twee richtingen te communiceren over bestaande DMX-kabels. De Maverick MK3 Wash ondersteunt het RDM-protocol dat zorgt feedback toelaat bij de bewaking van Temperatuur en wijzigingen aan de menu opties. Download de gebruikershandleiding op [www.chauvetprofessional.com](http://www.chauvetprofessional.com) voor meer informatie.

## Montage

Lees alvorens dit product te monteren alle [Veiligheidsinstructies](#). Gebruik ten minste twee montagepunten per product. Controleer of de montageklem het gewicht van het product kan dragen. Ga voor onze Chauvet-serie montageklemmen naar <http://trusst.com/products>.

### Montagediagram



### Montage-boven het hoofd

### Aanraakschermbedieningspaneel

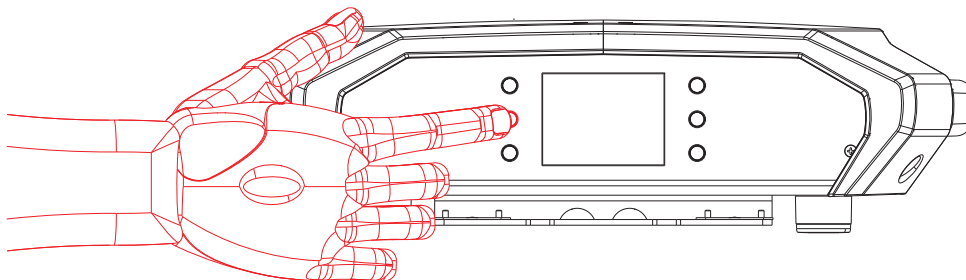
De Maverick MK3 Wash heeft een aanraakscherm en 6 bedieningsknoppen. Via de opties **Setup** in het menu kan het aanraakscherm worden vergrendeld en gekalibreerd.

### Beschrijving bedieningspaneel

Toets	Functie
< ↑ >	Navigeert omhoog via het menu of verhoogt de numerieke waarde wanneer in een functie
< ≡ >	Sluit het huidige menu of functie af
< ↓ >	Navigeert omlaag via het menu of verlaagt de numerieke waarde wanneer in een functie
< ← >	Navigeert naar links door de menulijst
< ↶ >	Activeert het huidige getoonde menu of plaatst de huidige geselecteerde waarde in de geselecteerde functie
< ↷ >	Navigeert naar rechts door de menulijst

### Display op batterijstroom

Ingedrukt houden totdat het menuscherm verschijnt (ongeveer 15 sec).





Menumap

Programmeerniveaus				Beschrijving	
<b>Control Settings</b>				<b>Control Settings belangrijkste niveau</b>	
Single Control	DMX	Personality	Basic	Stelt de DMX persoonlijkheid in (Zie <a href="#">Aansturingspersoonlijkheden</a> )	
			Standard		
			Advanced		
			Tour		
	ArtNet	Personality	Basic	Stelt de Art-Net™ persoonlijkheid in (Zie <a href="#">Aansturingspersoonlijkheden</a> )	
			Standard		
			Advanced		
			Tour		
	sACN	Personality	Basic	Stelt de sACN persoonlijkheid in (Zie <a href="#">Aansturingspersoonlijkheden</a> )	
			Standard		
			Advanced		
			Tour		
	WDMX	Personality	Basic	Stelt de WDMX persoonlijkheid in (Zie <a href="#">Aansturingspersoonlijkheden</a> )	
			Standard		
			Advanced		
			Tour		
Control Settings	Movement	DMX	Basic	Stelt de DMX persoonlijkheid in (Zie <a href="#">Aansturingspersoonlijkheden</a> )	
			Standard		
			Advanced		
			Tour		
		ArtNet	Personality	Basic	Stelt de Art-Net™ persoonlijkheid in (Zie <a href="#">Aansturingspersoonlijkheden</a> )
				Standard	
				Advanced	
				Tour	
	sACN	Personality	Basic	Stelt de sACN persoonlijkheid in (Zie <a href="#">Aansturingspersoonlijkheden</a> )	
			Standard		
			Advanced		
			Tour		
	Dual Control	Pixels	DMX	Basic	Stelt de DMX persoonlijkheid in (Zie <a href="#">Aansturingspersoonlijkheden</a> )
				Standard	
				Advanced	
				Tour	
ArtNet		Personality	Basic	Stelt de Art-Net™ persoonlijkheid in (Zie <a href="#">Aansturingspersoonlijkheden</a> )	
			Standard		
			Advanced		
			Tour		
KlingNet	Personality	Basic	Stelt de Kling-Net persoonlijkheid in (Zie <a href="#">Aansturingspersoonlijkheden</a> )		
		Standard			
		Advanced			
		Tour			

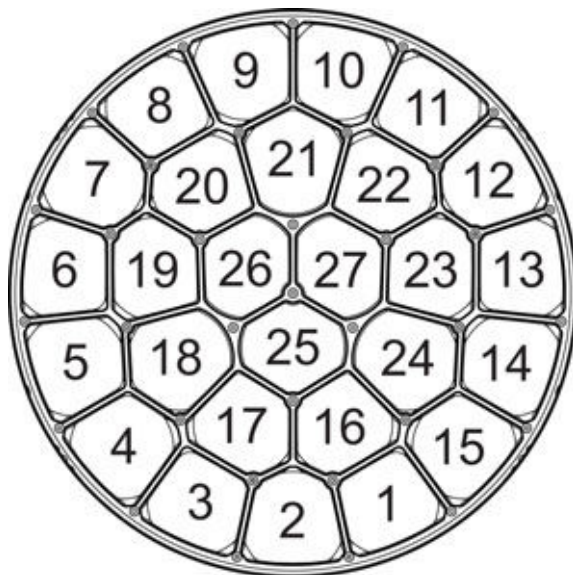
Programmeerniveaus			Beschrijving	
<b>Test Mode</b>			<b>Test Mode belangrijkste niveau</b>	
<b>Test Mode</b>	<b>Auto Test</b>		Test alle functies automatisch	
	<b>Manual Test</b>	Pan	<b>000-255</b>	Test en regel alle instellingen handmatig via het bedieningspaneel
		Tilt		
		P/T Speed		
		Red		
		Green		
		Blue		
		White		
		CTC		
		Color		
		Pattern		
		LED Macro		
		LED Ma. Speed		
		LED Ma. Fade		
		Background		
		Background Dim.		
		Dimmer		
Shutter				
Function				
Zoom				
<b>Setup</b>			<b>Setup belangrijkste niveau</b>	
<b>Network Settings</b>	<b>IP Mode</b>	<b>Manual</b>	Stel het IP-adres handmatig in	
		<b>DHCP</b>	Netwerk stelt het IP-adres in	
		<b>Static</b>	Product stelt het IP-adres in	
	<b>IP</b>	-----	Stelt het IP-adres in handmatige modus in	
	<b>SubMask</b>	-----	Stelt het Subnet Mask in handmatige modus in	
<b>Pan Reverse</b>	<b>NO</b>		Normale zwenkbediening	
	<b>YES</b>		Omgekeerde zwenkbediening	
<b>Tilt Reverse</b>	<b>NO</b>		Normale kantelbediening	
	<b>YES</b>		Omgekeerde kantelbediening	
<b>Zoom Reverse</b>	<b>NO</b>		Normale zoom	
	<b>YES</b>		Omgekeerde zoom	
<b>Screen Reverse</b>	<b>NO</b>		Display in normale oriëntatie	
	<b>YES</b>		Display in ondersteboven oriëntatie	
	<b>AUTO</b>		Automatische oriëntatie van het display	
<b>Pan Angle</b>	<b>540</b>		540° zwenkhoekbereik	
	<b>360</b>		360° zwenkhoekbereik	
	<b>180</b>		180° zwenkhoekbereik	
<b>Tilt Angle</b>	<b>540</b>		540° kantelhoekbereik	
	<b>270</b>		270° kantelhoekbereik	
	<b>180</b>		180° kantelhoekbereik	
<b>BL. O. P/T Move</b>	<b>NO</b>		Niet verduisteren tijdens kantelen/zwenken	
	<b>YES</b>		Verduisteren tijdens kantelen/zwenken	
<b>Calibration</b>	<b>NO</b>		Huidige instellingen behouden	
	<b>YES</b>		Aanraakscherm kalibreren	
<b>Touchscreen Lock</b>	<b>NO</b>		Beeldscherm reageert op aanrakingen	
	<b>YES</b>		Beeldscherm reageert niet op aanrakingen	
<b>Lock Screen</b>	<b>NO</b>		Lock knoppen en touch screen	
	<b>YES</b>		Toegangscode: 0920	
<b>Swap XY</b>	<b>NO</b>		Niet kantelen en zwenken verwisselen	
	<b>YES</b>		Zwenken regelt kantelen, en omgekeerd	

Programmeerniveaus		Beschrijving	
<b>Setup (vervolg)</b>		<b>Setup belangrijkste niveau (vervolg)</b>	
<b>XY Mode</b>	<b>Slow</b>	Langzaam zwenken en kantelen	
	<b>Fast</b>	Snel zwenken en kantelen	
<b>WDMX Reset</b>	<b>NO</b>	Niet WDMX resetten	
	<b>YES</b>	WDMX resetten	
<b>Backlight Timer</b>	<b>30S</b>	Beeldscherm schakelt uit na 30 seconden	
	<b>1M</b>	Beeldscherm schakelt uit na 1 minuut	
	<b>5M</b>	Beeldscherm schakelt uit na 5 minuten	
	<b>ON</b>	Beeldscherm blijft aan	
<b>Loss of Data</b>	<b>Hold</b>	Houdt laatst ontvangen signaal vast	
	<b>Close</b>	Verduistert de armatuur	
<b>Fans</b>	<b>Auto</b>	Ventilatorsnelheid in overeenstemming met de producttemperatuur	
	<b>Full</b>	Ventilatorsnelheid op hoog ingesteld	
	<b>ECO</b>	Stille modus	
<b>C Mixing Mode</b>	<b>RGBW</b>	RGBW kleurenmenging	
	<b>CMY</b>	CMY kleurenmenging (R=C, G=M, B=Y)	
<b>Dimmer Curve</b>	<b>Linear</b>	Stelt de dimcurve in	
	<b>Square</b>		
	<b>I Squa</b>		
	<b>SCurve</b>		
<b>Dimmer Speed</b>	<b>Smooth</b>	Wijzigt de dimsnelheid	
	<b>Fast</b>		
<b>PWM Option</b>	<b>600Hz</b>	Selecteert de PWM-uitgangsfrequentie	
	<b>1200Hz</b>		
	<b>2000Hz</b>		
	<b>4000Hz</b>		
	<b>6000Hz</b>		
<b>Color Balance</b>	<b>Red</b>	<b>100–255</b>	
	<b>Green</b>		
	<b>Blue</b>		
	<b>White</b>		
<b>Preset Select</b>	<b>PRESET A</b>	Opgenoemen vooringestelde menuopties	
	<b>PRESET B</b>		
	<b>PRESET C</b>		
<b>Preset Sync</b>	<b>NO</b>	Zorgt ervoor dat opgenomen vooringestelde menuopties worden overgezet op andere Maverick MK3 Wash in de DMX-keten	
	<b>YES</b>		
<b>Reset Function</b>	<b>Pan</b>	<b>NO</b>	Reset individuele functies of alle functies vanaf het opstarten
		<b>YES</b>	
	<b>Tilt</b>	<b>NO</b>	
		<b>YES</b>	
<b>All</b>	<b>NO</b>		
	<b>YES</b>		
<b>Factory Settings</b>	<b>NO</b>	Reset naar standaard fabrieksinstellingen	
	<b>YES</b>		

Programmeerniveaus			Beschrijving	
<b>Sys Info</b>			<b>Sys Info belangrijkste niveau</b>	
<b>Sys Info</b>	<b>Ver</b>	<b>V_</b>	Toont de firmwareversie	
	<b>Running Mode</b>	<b>---</b>	Toont de huidige bedrijfsmodus	
	<b>Address</b>	<b>---</b>	Toont het huidige startadres	
	<b>Temperature</b>	<b>---</b>	Toont de huidige temperatuur van het product in °C	
	<b>Fixture Hours</b>	<b>-----</b>	Toont het aantal uren dat het product is ingeschakeld	
	<b>IP</b>	<b>---:---:---:---</b>	Toont het huidige IP-adres	
	<b>SubMask</b>	<b>---:---:---:---</b>	Toont het huidige Subnet Mask	
	<b>MAC</b>	<b>---:---:---:---</b>	Toont het huidige MAC-adres	
	<b>Fan Information</b>	<b>Head Fan1 Speed</b>	<b>---</b>	Toont snelheid van kopventilators in toeren per minuut
		<b>Head Fan2 Speed</b>	<b>---</b>	
<b>Error Information</b>	<b>No Error!*</b>		Toont fouten of No Error!	

Programmeerniveaus		Beschrijving
Sys Info (vervolg)		Sys Info belangrijkste niveau (vervolg)
Sys Info (vervolg)	Channel Information	Toont alle huidige waarden van ingangssignalen, 000-255
	Frequency	
	Pan	
	Pan Fine	
	Tilt	
	Tilt Fine	
	CTC	
	Color	
	Pattern	
	LED Macro	
	LED Ma. Speed	
	LED Ma. Fine	
	Background	
	Background Dim.	
	Bg. Dim. Fine	
	Dimmer	
	Dimmer Fine	
	Shutter	
	Zoom	
	Function	
	Red (all, 1-27)	
	Red Fine (all, 1-27)	
	Green (all, 1-27)	
	Green fine (all, 1-27)	
	Blue (all, 1-27)	
	Blue Fine (all, 1-27)	
	White (all, 1-27)	
White Fine (all, 1-27)		

Zones voor pixelregeling



## “Single Control”-waarden

“Single Control”: “Tour” modus (297-kanaal)

Kanaal	Functie	Waarde	Percentage/Instelling
1	Zwenken	000 ⇔ 255	0–100%
2	Fijnezwenken	000 ⇔ 255	0–100%
3	Kantelen	000 ⇔ 255	0–100%
4	Fijnekantelen	000 ⇔ 255	0–100%
5	Zwenken/Kantelensnelheid	000 ⇔ 255	Snel tot langzaam
6	CTC	000	Geen functie
		001 ⇔ 255	Kleurtemperatuur, 2800–10000 K
7	Kleurmacro	000	Geen functie
		001 ⇔ 255	Kleurenmacro's
8	Gobo	000	Geen functie
		001 ⇔ 255	Gobo's (geïndexeerd)
9	LED Macro / Automatisch programma	000 ⇔ 015	Geen functie
		016 ⇔ 135	LED macro's
		136 ⇔ 255	Automatische programma's
10	LED Macro / Automatisch programmasnelheid	000 ⇔ 127	Snel tot langzaam
		128	Bevriezen
		129 ⇔ 255	Langzaam tot snel
11	LED ingebouwde vertraging	000 ⇔ 255	Snel tot langzaam
12	Achtergrondkleur	000	Geen functie
		001 ⇔ 002	2700K R = 156 G = 118 B = 0 W = 63
		003 ⇔ 004	3200K R = 156 G = 141 B = 5 W = 89
		005 ⇔ 006	4200K R = 156 G = 141 B = 14 W = 255
		007 ⇔ 008	5600K R = 156 G = 207 B = 54 W = 255
		009 ⇔ 010	8000K R = 130 G = 255 B = 96 W = 255
		011	Blauw R = 0 G = 0 B = 255 W = 0
		012 ⇔ 048	+ Groen R = 0 G = 0–255 B = 255 W = 0
		049	Cyaan R = 0 G = 255 B = 255 W = 0
		050 ⇔ 086	- Blauw R = 0 G = 255 B = 255–0 W = 0
		087	Groen R = 0 G = 255 B = 0 W = 0
		088 ⇔ 124	+ Rood R = 0–255 G = 255 B = 0 W = 0
		125	Geel R = 255 G = 255 B = 0 W = 0
		126 ⇔ 162	- Groen R = 255 G = 255–0 B = 0 W = 0
		163	Rood R = 255 G = 0 B = 0 W = 0
		164 ⇔ 200	+ Blauw R = 255 G = 0 B = 0–255 W = 0
		201	Magenta R = 255 G = 0 B = 255 W = 0
		202 ⇔ 238	- Rood R = 255–0 G = 0 B = 255 W = 0
239	Blauw R = 0 G = 0 B = 255 W = 0		
240 ⇔ 247	Kleurverandering, snel tot langzaam		
248 ⇔ 255	Kleursprong, snel tot langzaam		
13	Achtergronddimmer	000 ⇔ 255	0–100%
14	Fijneachtergronddimmer	000 ⇔ 255	0–100%
15	Hoofddimmer	000 ⇔ 255	0–100%
16	Fijnehoofddimmer	000 ⇔ 255	0–100%

Kanaal	Functie	Waarde	Percentage/Instelling
17	Sluiter	000 ⇔ 019	Uit
		020 ⇔ 024	Aan
		025 ⇔ 064	Stroboscoop, snel tot langzaam
		065 ⇔ 069	Aan
		070 ⇔ 084	Stroboscoop 100–0%, snel tot langzaam
		085 ⇔ 089	Aan
		090 ⇔ 104	Stroboscoop 0–100%, snel tot langzaam
		105 ⇔ 109	Aan
		110 ⇔ 124	Willekeurigstroboscoop, snel tot langzaam
		125 ⇔ 129	Aan
		130 ⇔ 144	Willekeurigstroboscoop 100–0%, snel tot langzaam
		145 ⇔ 149	Aan
		150 ⇔ 164	Willekeurigstroboscoop 0–100%, snel tot langzaam
		165 ⇔ 169	Aan
		170 ⇔ 184	Pulsstroboscoop, snel tot langzaam
		185 ⇔ 189	Aan
		190 ⇔ 204	Willekeurigepulsstroboscoop, snel tot langzaam
205 ⇔ 209	Aan		
210 ⇔ 224	Stroboscoop 0–100–0%, snel tot langzaam		
225 ⇔ 229	Aan		
230 ⇔ 244	Willekeurigepulsstroboscoop, snel tot langzaam		
245 ⇔ 255	Aan		
18	Zoom	000 ⇔ 255	Breed tot nauw
19	Regeling	000 ⇔ 009	Geen functie
		010 ⇔ 014	Zwenk-/kantelverduistering
		015 ⇔ 019	Gereserveerd voor toekomstig gebruik
		020 ⇔ 024	RGBW-kleurenmengmodus
		025 ⇔ 029	CMY-kleurenmengmodus (R=C, G=M, B=Y)
		030 ⇔ 049	Gereserveerd voor toekomstig gebruik
		050 ⇔ 054	Zwenk-reset
		055 ⇔ 059	Kantel-reset
		060 ⇔ 064	Zoom-reset
		065 ⇔ 069	Gereserveerd voor toekomstig gebruik
		070 ⇔ 074	Alles-reset
		075 ⇔ 109	Gereserveerd voor toekomstig gebruik
		110 ⇔ 114	Zwenk-/kantelsnelheid snel
		115 ⇔ 119	Zwenk-/kantelsnelheid langzaam
		120 ⇔ 124	Ventilatormodus langzaam
		125 ⇔ 129	Ventilatormodus volledig
		130 ⇔ 134	Ventilatormodus auto
135 ⇔ 139	Dimmodus snel		
140 ⇔ 144	Dimmodus langzaam		
145 ⇔ 255	Gereserveerd voor toekomstig gebruik		
20	Hoofdrood	000 ⇔ 255	0–100%
21	Fijnehoofd rood	000 ⇔ 255	0–100%
22	Hoofdgroen	000 ⇔ 255	0–100%
23	Fijnehoofd groen	000 ⇔ 255	0–100%
24	Hoofdblauw	000 ⇔ 255	0–100%
25	Fijnehoofd blauw	000 ⇔ 255	0–100%
26	Hoofdwit	000 ⇔ 255	0–100%
27	Fijnehoofd wit	000 ⇔ 255	0–100%



Kanaal	Functie	Waarde	Percentage/Instelling
28	Dimmer 1	000 ⇄ 255	0–100%
29	Fijnedimmer 1	000 ⇄ 255	0–100%
30	Rood 1	000 ⇄ 255	0–100%
31	Fijnerood 1	000 ⇄ 255	0–100%
32	Groen 1	000 ⇄ 255	0–100%
33	Fijnegroen 1	000 ⇄ 255	0–100%
34	Blauw 1	000 ⇄ 255	0–100%
35	Fijneblauw 1	000 ⇄ 255	0–100%
36	Wit 1	000 ⇄ 255	0–100%
37	Fijnwit 1	000 ⇄ 255	0–100%
38	Dimmer 2	000 ⇄ 255	0–100%
39	Fijnedimmer 2	000 ⇄ 255	0–100%
40	Rood 2	000 ⇄ 255	0–100%
41	Fijnerood 2	000 ⇄ 255	0–100%
42	Groen 2	000 ⇄ 255	0–100%
43	Fijnegroen 2	000 ⇄ 255	0–100%
44	Blauw 2	000 ⇄ 255	0–100%
45	Fijneblauw 2	000 ⇄ 255	0–100%
46	Wit 2	000 ⇄ 255	0–100%
47	Fijnwit 2	000 ⇄ 255	0–100%
48	Dimmer 3	000 ⇄ 255	0–100%
49	Fijnedimmer 3	000 ⇄ 255	0–100%
50	Rood 3	000 ⇄ 255	0–100%
51	Fijnerood 3	000 ⇄ 255	0–100%
52	Groen 3	000 ⇄ 255	0–100%
53	Fijnegroen 3	000 ⇄ 255	0–100%
54	Blauw 3	000 ⇄ 255	0–100%
55	Fijneblauw 3	000 ⇄ 255	0–100%
56	Wit 3	000 ⇄ 255	0–100%
57	Fijnwit 3	000 ⇄ 255	0–100%
58	Dimmer 4	000 ⇄ 255	0–100%
59	Fijnedimmer 4	000 ⇄ 255	0–100%
60	Rood 4	000 ⇄ 255	0–100%
61	Fijnerood 4	000 ⇄ 255	0–100%
62	Groen 4	000 ⇄ 255	0–100%
63	Fijnegroen 4	000 ⇄ 255	0–100%
64	Blauw 4	000 ⇄ 255	0–100%
65	Fijneblauw 4	000 ⇄ 255	0–100%
66	Wit 4	000 ⇄ 255	0–100%
67	Fijnwit 4	000 ⇄ 255	0–100%
68	Dimmer 5	000 ⇄ 255	0–100%
69	Fijnedimmer 5	000 ⇄ 255	0–100%
70	Rood 5	000 ⇄ 255	0–100%
71	Fijnerood 5	000 ⇄ 255	0–100%
72	Groen 5	000 ⇄ 255	0–100%
73	Fijnegroen 5	000 ⇄ 255	0–100%
74	Blauw 5	000 ⇄ 255	0–100%
75	Fijneblauw 5	000 ⇄ 255	0–100%
76	Wit 5	000 ⇄ 255	0–100%
77	Fijnwit 5	000 ⇄ 255	0–100%

Kanaal	Functie	Waarde	Percentage/Instelling
78	Dimmer 6	000 ⇔ 255	0-100%
79	Fijnedimmer 6	000 ⇔ 255	0-100%
80	Rood 6	000 ⇔ 255	0-100%
81	Fijnerood 6	000 ⇔ 255	0-100%
82	Groen 6	000 ⇔ 255	0-100%
83	Fijnegroen 6	000 ⇔ 255	0-100%
84	Blauw 6	000 ⇔ 255	0-100%
85	Fijneblauw 6	000 ⇔ 255	0-100%
86	Wit 6	000 ⇔ 255	0-100%
87	Fijnewit 6	000 ⇔ 255	0-100%
88	Dimmer 7	000 ⇔ 255	0-100%
89	Fijnedimmer 7	000 ⇔ 255	0-100%
90	Rood 7	000 ⇔ 255	0-100%
91	Fijnerood 7	000 ⇔ 255	0-100%
92	Groen 7	000 ⇔ 255	0-100%
93	Fijnegroen 7	000 ⇔ 255	0-100%
94	Blauw 7	000 ⇔ 255	0-100%
95	Fijneblauw 7	000 ⇔ 255	0-100%
96	Wit 7	000 ⇔ 255	0-100%
97	Fijnewit 7	000 ⇔ 255	0-100%
98	Dimmer 8	000 ⇔ 255	0-100%
99	Fijnedimmer 8	000 ⇔ 255	0-100%
100	Rood 8	000 ⇔ 255	0-100%
101	Fijnerood 8	000 ⇔ 255	0-100%
102	Groen 8	000 ⇔ 255	0-100%
103	Fijnegroen 8	000 ⇔ 255	0-100%
104	Blauw 8	000 ⇔ 255	0-100%
105	Fijneblauw 8	000 ⇔ 255	0-100%
106	Wit 8	000 ⇔ 255	0-100%
107	Fijnewit 8	000 ⇔ 255	0-100%
108	Dimmer 9	000 ⇔ 255	0-100%
109	Fijnedimmer 9	000 ⇔ 255	0-100%
110	Rood 9	000 ⇔ 255	0-100%
111	Fijnerood 9	000 ⇔ 255	0-100%
112	Groen 9	000 ⇔ 255	0-100%
113	Fijnegroen 9	000 ⇔ 255	0-100%
114	Blauw 9	000 ⇔ 255	0-100%
115	Fijneblauw 9	000 ⇔ 255	0-100%
116	Wit 9	000 ⇔ 255	0-100%
117	Fijnewit 9	000 ⇔ 255	0-100%
118	Dimmer 10	000 ⇔ 255	0-100%
119	Fijnedimmer 10	000 ⇔ 255	0-100%
120	Rood 10	000 ⇔ 255	0-100%
121	Fijnerood 10	000 ⇔ 255	0-100%
122	Groen 10	000 ⇔ 255	0-100%
123	Fijnegroen 10	000 ⇔ 255	0-100%
124	Blauw 10	000 ⇔ 255	0-100%
125	Fijneblauw 10	000 ⇔ 255	0-100%
126	Wit 10	000 ⇔ 255	0-100%
127	Fijnewit 10	000 ⇔ 255	0-100%

Kanaal	Functie	Waarde	Percentage/Instelling
128	Dimmer 11	000 ⇄ 255	0–100%
129	Fijnedimmer 11	000 ⇄ 255	0–100%
130	Rood 11	000 ⇄ 255	0–100%
131	Fijnerood 11	000 ⇄ 255	0–100%
132	Groen 11	000 ⇄ 255	0–100%
133	Fijnegroen 11	000 ⇄ 255	0–100%
134	Blauw 11	000 ⇄ 255	0–100%
135	Fijneblauw 11	000 ⇄ 255	0–100%
136	Wit 11	000 ⇄ 255	0–100%
137	Fijnwit 11	000 ⇄ 255	0–100%
138	Dimmer 12	000 ⇄ 255	0–100%
139	Fijnedimmer 12	000 ⇄ 255	0–100%
140	Rood 12	000 ⇄ 255	0–100%
141	Fijnerood 12	000 ⇄ 255	0–100%
142	Groen 12	000 ⇄ 255	0–100%
143	Fijnegroen 12	000 ⇄ 255	0–100%
144	Blauw 12	000 ⇄ 255	0–100%
145	Fijneblauw 12	000 ⇄ 255	0–100%
146	Wit 12	000 ⇄ 255	0–100%
147	Fijnwit 12	000 ⇄ 255	0–100%
148	Dimmer 13	000 ⇄ 255	0–100%
149	Fijnedimmer 13	000 ⇄ 255	0–100%
150	Rood 13	000 ⇄ 255	0–100%
151	Fijnerood 13	000 ⇄ 255	0–100%
152	Groen 13	000 ⇄ 255	0–100%
153	Fijnegroen 13	000 ⇄ 255	0–100%
154	Blauw 13	000 ⇄ 255	0–100%
155	Fijneblauw 13	000 ⇄ 255	0–100%
156	Wit 13	000 ⇄ 255	0–100%
157	Fijnwit 13	000 ⇄ 255	0–100%
158	Dimmer 14	000 ⇄ 255	0–100%
159	Fijnedimmer 14	000 ⇄ 255	0–100%
160	Rood 14	000 ⇄ 255	0–100%
161	Fijnerood 14	000 ⇄ 255	0–100%
162	Groen 14	000 ⇄ 255	0–100%
163	Fijnegroen 14	000 ⇄ 255	0–100%
164	Blauw 14	000 ⇄ 255	0–100%
165	Fijneblauw 14	000 ⇄ 255	0–100%
166	Wit 14	000 ⇄ 255	0–100%
167	Fijnwit 14	000 ⇄ 255	0–100%
168	Dimmer 15	000 ⇄ 255	0–100%
169	Fijnedimmer 15	000 ⇄ 255	0–100%
170	Rood 15	000 ⇄ 255	0–100%
171	Fijnerood 15	000 ⇄ 255	0–100%
172	Groen 15	000 ⇄ 255	0–100%
173	Fijnegroen 15	000 ⇄ 255	0–100%
174	Blauw 15	000 ⇄ 255	0–100%
175	Fijneblauw 15	000 ⇄ 255	0–100%
176	Wit 15	000 ⇄ 255	0–100%
177	Fijnwit 15	000 ⇄ 255	0–100%

Kanaal	Functie	Waarde	Percentage/Instelling
178	Dimmer 16	000 ⇔ 255	0-100%
179	Fijnedimmer 16	000 ⇔ 255	0-100%
180	Rood 16	000 ⇔ 255	0-100%
181	Fijnerood 16	000 ⇔ 255	0-100%
182	Groen 16	000 ⇔ 255	0-100%
183	Fijnegroen 16	000 ⇔ 255	0-100%
184	Blauw 16	000 ⇔ 255	0-100%
185	Fijneblauw 16	000 ⇔ 255	0-100%
186	Wit 16	000 ⇔ 255	0-100%
187	Fijnewit 16	000 ⇔ 255	0-100%
188	Dimmer 17	000 ⇔ 255	0-100%
189	Fijnedimmer 17	000 ⇔ 255	0-100%
190	Rood 17	000 ⇔ 255	0-100%
191	Fijnerood 17	000 ⇔ 255	0-100%
192	Groen 17	000 ⇔ 255	0-100%
193	Fijnegroen 17	000 ⇔ 255	0-100%
194	Blauw 17	000 ⇔ 255	0-100%
195	Fijneblauw 17	000 ⇔ 255	0-100%
196	Wit 17	000 ⇔ 255	0-100%
197	Fijnewit 17	000 ⇔ 255	0-100%
198	Dimmer 18	000 ⇔ 255	0-100%
199	Fijnedimmer 18	000 ⇔ 255	0-100%
200	Rood 18	000 ⇔ 255	0-100%
201	Fijnerood 18	000 ⇔ 255	0-100%
202	Groen 18	000 ⇔ 255	0-100%
203	Fijnegroen 18	000 ⇔ 255	0-100%
204	Blauw 18	000 ⇔ 255	0-100%
205	Fijneblauw 18	000 ⇔ 255	0-100%
206	Wit 18	000 ⇔ 255	0-100%
207	Fijnewit 18	000 ⇔ 255	0-100%
208	Dimmer 19	000 ⇔ 255	0-100%
209	Fijnedimmer 19	000 ⇔ 255	0-100%
210	Rood 19	000 ⇔ 255	0-100%
211	Fijnerood 19	000 ⇔ 255	0-100%
212	Groen 19	000 ⇔ 255	0-100%
213	Fijnegroen 19	000 ⇔ 255	0-100%
214	Blauw 19	000 ⇔ 255	0-100%
215	Fijneblauw 19	000 ⇔ 255	0-100%
216	Wit 19	000 ⇔ 255	0-100%
217	Fijnewit 19	000 ⇔ 255	0-100%
218	Dimmer 20	000 ⇔ 255	0-100%
219	Fijnedimmer 20	000 ⇔ 255	0-100%
220	Rood 20	000 ⇔ 255	0-100%
221	Fijnerood 20	000 ⇔ 255	0-100%
222	Groen 20	000 ⇔ 255	0-100%
223	Fijnegroen 20	000 ⇔ 255	0-100%
224	Blauw 20	000 ⇔ 255	0-100%
225	Fijneblauw 20	000 ⇔ 255	0-100%
226	Wit 20	000 ⇔ 255	0-100%
227	Fijnewit 20	000 ⇔ 255	0-100%

Kanaal	Functie	Waarde	Percentage/Instelling
228	Dimmer 21	000 ⇄ 255	0–100%
229	Fijnedimmer 21	000 ⇄ 255	0–100%
230	Rood 21	000 ⇄ 255	0–100%
231	Fijnerood 21	000 ⇄ 255	0–100%
232	Groen 21	000 ⇄ 255	0–100%
233	Fijnegroen 21	000 ⇄ 255	0–100%
234	Blauw 21	000 ⇄ 255	0–100%
235	Fijneblauw 21	000 ⇄ 255	0–100%
236	Wit 21	000 ⇄ 255	0–100%
237	Fijnwit 21	000 ⇄ 255	0–100%
238	Dimmer 22	000 ⇄ 255	0–100%
239	Fijnedimmer 22	000 ⇄ 255	0–100%
240	Rood 22	000 ⇄ 255	0–100%
241	Fijnerood 22	000 ⇄ 255	0–100%
242	Groen 22	000 ⇄ 255	0–100%
243	Fijnegroen 22	000 ⇄ 255	0–100%
244	Blauw 22	000 ⇄ 255	0–100%
245	Fijneblauw 22	000 ⇄ 255	0–100%
246	Wit 22	000 ⇄ 255	0–100%
247	Fijnwit 22	000 ⇄ 255	0–100%
248	Dimmer 23	000 ⇄ 255	0–100%
249	Fijnedimmer 23	000 ⇄ 255	0–100%
250	Rood 23	000 ⇄ 255	0–100%
251	Fijnerood 23	000 ⇄ 255	0–100%
252	Groen 23	000 ⇄ 255	0–100%
253	Fijnegroen 23	000 ⇄ 255	0–100%
254	Blauw 23	000 ⇄ 255	0–100%
255	Fijneblauw 23	000 ⇄ 255	0–100%
256	Wit 23	000 ⇄ 255	0–100%
257	Fijnwit 23	000 ⇄ 255	0–100%
258	Dimmer 24	000 ⇄ 255	0–100%
259	Fijnedimmer 24	000 ⇄ 255	0–100%
260	Rood 24	000 ⇄ 255	0–100%
261	Fijnerood 24	000 ⇄ 255	0–100%
262	Groen 24	000 ⇄ 255	0–100%
263	Fijnegroen 24	000 ⇄ 255	0–100%
264	Blauw 24	000 ⇄ 255	0–100%
265	Fijneblauw 24	000 ⇄ 255	0–100%
266	Wit 24	000 ⇄ 255	0–100%
267	Fijnwit 24	000 ⇄ 255	0–100%
268	Dimmer 25	000 ⇄ 255	0–100%
269	Fijnedimmer 25	000 ⇄ 255	0–100%
270	Rood 25	000 ⇄ 255	0–100%
271	Fijnerood 25	000 ⇄ 255	0–100%
272	Groen 25	000 ⇄ 255	0–100%
273	Fijnegroen 25	000 ⇄ 255	0–100%
274	Blauw 25	000 ⇄ 255	0–100%
275	Fijneblauw 25	000 ⇄ 255	0–100%
276	Wit 25	000 ⇄ 255	0–100%
277	Fijnwit 25	000 ⇄ 255	0–100%

Kanaal	Functie	Waarde	Percentage/Instelling
278	Dimmer 26	000 ⇔ 255	0-100%
279	Fijnedimmer 26	000 ⇔ 255	0-100%
280	Rood 26	000 ⇔ 255	0-100%
281	Fijnerood 26	000 ⇔ 255	0-100%
282	Groen 26	000 ⇔ 255	0-100%
283	Fijnegroen 26	000 ⇔ 255	0-100%
284	Blauw 26	000 ⇔ 255	0-100%
285	Fijneblauw 26	000 ⇔ 255	0-100%
286	Wit 26	000 ⇔ 255	0-100%
287	Fijnewit 26	000 ⇔ 255	0-100%
288	Dimmer 27	000 ⇔ 255	0-100%
289	Fijnedimmer 27	000 ⇔ 255	0-100%
290	Rood 27	000 ⇔ 255	0-100%
291	Fijnerood 27	000 ⇔ 255	0-100%
292	Groen 27	000 ⇔ 255	0-100%
293	Fijnegroen 27	000 ⇔ 255	0-100%
294	Blauw 27	000 ⇔ 255	0-100%
295	Fijneblauw 27	000 ⇔ 255	0-100%
296	Wit 27	000 ⇔ 255	0-100%
297	Fijnewit 27	000 ⇔ 255	0-100%

## “Single Control”: “Advanced”-modus (243-kanaal)

Kanaal	Functie	Waarde	Percentage/Instelling
1	Zwenken	000 ⇄ 255	0–100%
2	Fijnezwenken	000 ⇄ 255	0–100%
3	Kantelen	000 ⇄ 255	0–100%
4	Fijnekantelen	000 ⇄ 255	0–100%
5	Zwenken/Kantelensnelheid	000 ⇄ 255	Snel tot langzaam
6	CTC	000	Geen functie
		001 ⇄ 255	Kleurtemperatuur, 2800–10000 K
7	Kleurmacro	000	Geen functie
		001 ⇄ 255	Kleurenmacro's
8	Gobo	000	Geen functie
		001 ⇄ 255	Gobo's (geïndexeerd)
9	LED Macro / Automatisch programma	000 ⇄ 015	Geen functie
		016 ⇄ 135	LED macro's
		136 ⇄ 255	Automatische programma's
10	LED Macro / Automatisch programmasnelheid	000 ⇄ 127	Snel tot langzaam
		128	Bevriezen
		129 ⇄ 255	Langzaam tot snel
11	LED ingebouwde vertraging	000 ⇄ 255	Snel tot langzaam
12	Achtergrondkleur	000	Geen functie
		001 ⇄ 002	2700K R = 156 G = 118 B = 0 W = 63
		003 ⇄ 004	3200K R = 156 G = 141 B = 5 W = 89
		005 ⇄ 006	4200K R = 156 G = 141 B = 14 W = 255
		007 ⇄ 008	5600K R = 156 G = 207 B = 54 W = 255
		009 ⇄ 010	8000K R = 130 G = 255 B = 96 W = 255
		011	Blauw R = 0 G = 0 B = 255 W = 0
		012 ⇄ 048	+ Groen R = 0 G = 0–255 B = 255 W = 0
		049	Cyaan R = 0 G = 255 B = 255 W = 0
		050 ⇄ 086	- Blauw R = 0 G = 255 B = 255–0 W = 0
		087	Groen R = 0 G = 255 B = 0 W = 0
		088 ⇄ 124	+ Rood R = 0–255 G = 255 B = 0 W = 0
		125	Geel R = 255 G = 255 B = 0 W = 0
		126 ⇄ 162	- Groen R = 255 G = 255–0 B = 0 W = 0
		163	Rood R = 255 G = 0 B = 0 W = 0
		164 ⇄ 200	+ Blauw R = 255 G = 0 B = 0–255 W = 0
		201	Magenta R = 255 G = 0 B = 255 W = 0
		202 ⇄ 238	- Rood R = 255–0 G = 0 B = 255 W = 0
		239	Blauw R = 0 G = 0 B = 255 W = 0
		240 ⇄ 247	Kleurverandering, snel tot langzaam
248 ⇄ 255	Kleursprong, snel tot langzaam		
13	Achtergronddimmer	000 ⇄ 255	0–100%
14	Fijneachtergronddimmer	000 ⇄ 255	0–100%
15	Hoofddimmer	000 ⇄ 255	0–100%
16	Fijnehoofddimmer	000 ⇄ 255	0–100%



Kanaal	Functie	Waarde	Percentage/Instelling
17	Sluiter	000 ⇔ 019	Uit
		020 ⇔ 024	Aan
		025 ⇔ 064	Stroboscoop, snel tot langzaam
		065 ⇔ 069	Aan
		070 ⇔ 084	Stroboscoop 100–0%, snel tot langzaam
		085 ⇔ 089	Aan
		090 ⇔ 104	Stroboscoop 0–100%, snel tot langzaam
		105 ⇔ 109	Aan
		110 ⇔ 124	Willekeurigestroboscoop, snel tot langzaam
		125 ⇔ 129	Aan
		130 ⇔ 144	Willekeurigestroboscoop 100–0%, snel tot langzaam
		145 ⇔ 149	Aan
		150 ⇔ 164	Willekeurigestroboscoop 0–100%, snel tot langzaam
		165 ⇔ 169	Aan
		170 ⇔ 184	Pulsstroboscoop, snel tot langzaam
		185 ⇔ 189	Aan
		190 ⇔ 204	Willekeurigepulsstroboscoop, snel tot langzaam
205 ⇔ 209	Aan		
210 ⇔ 224	Stroboscoop 0–100–0%, snel tot langzaam		
225 ⇔ 229	Aan		
230 ⇔ 244	Willekeurigepulsstroboscoop, snel tot langzaam		
245 ⇔ 255	Aan		
18	Zoom	000 ⇔ 255	Breed tot nauw
19	Regeling	000 ⇔ 009	Geen functie
		010 ⇔ 014	Zwenk-/kantelverduistering
		015 ⇔ 019	Gereserveerd voor toekomstig gebruik
		020 ⇔ 024	RGBW-kleurenmengmodus
		025 ⇔ 029	CMY-kleurenmengmodus (R=C, G=M, B=Y)
		030 ⇔ 049	Gereserveerd voor toekomstig gebruik
		050 ⇔ 054	Zwenk-reset
		055 ⇔ 059	Kantel-reset
		060 ⇔ 064	Zoom-reset
		065 ⇔ 069	Gereserveerd voor toekomstig gebruik
		070 ⇔ 074	Alles-reset
		075 ⇔ 109	Gereserveerd voor toekomstig gebruik
		110 ⇔ 114	Zwenk-/kantelsnelheid snel
		115 ⇔ 119	Zwenk-/kantelsnelheid langzaam
		120 ⇔ 124	Ventilatormodus langzaam
		125 ⇔ 129	Ventilatormodus volledig
		130 ⇔ 134	Ventilatormodus auto
135 ⇔ 139	Dimmodus snel		
140 ⇔ 144	Dimmodus langzaam		
145 ⇔ 255	Gereserveerd voor toekomstig gebruik		
20	Hoofdrood	000 ⇔ 255	0–100%
21	Fijnehoofd rood	000 ⇔ 255	0–100%
22	Hoofdgroen	000 ⇔ 255	0–100%
23	Fijnehoofd groen	000 ⇔ 255	0–100%
24	Hoofdblauw	000 ⇔ 255	0–100%
25	Fijnehoofd blauw	000 ⇔ 255	0–100%
26	Hoofdwit	000 ⇔ 255	0–100%
27	Fijnehoofd wit	000 ⇔ 255	0–100%

Kanaal	Functie	Waarde	Percentage/Instelling
28	Rood 1	000 ⇄ 255	0–100%
29	Fijnerood 1	000 ⇄ 255	0–100%
30	Groen 1	000 ⇄ 255	0–100%
31	Fijnegroen 1	000 ⇄ 255	0–100%
32	Blauw 1	000 ⇄ 255	0–100%
33	Fijneblauw 1	000 ⇄ 255	0–100%
34	Wit 1	000 ⇄ 255	0–100%
35	Fijnwit 1	000 ⇄ 255	0–100%
36	Rood 2	000 ⇄ 255	0–100%
37	Fijnerood 2	000 ⇄ 255	0–100%
38	Groen 2	000 ⇄ 255	0–100%
39	Fijnegroen 2	000 ⇄ 255	0–100%
40	Blauw 2	000 ⇄ 255	0–100%
41	Fijneblauw 2	000 ⇄ 255	0–100%
42	Wit 2	000 ⇄ 255	0–100%
43	Fijnwit 2	000 ⇄ 255	0–100%
44	Rood 3	000 ⇄ 255	0–100%
45	Fijnerood 3	000 ⇄ 255	0–100%
46	Groen 3	000 ⇄ 255	0–100%
47	Fijnegroen 3	000 ⇄ 255	0–100%
48	Blauw 3	000 ⇄ 255	0–100%
49	Fijneblauw 3	000 ⇄ 255	0–100%
50	Wit 3	000 ⇄ 255	0–100%
51	Fijnwit 3	000 ⇄ 255	0–100%
52	Rood 4	000 ⇄ 255	0–100%
53	Fijnerood 4	000 ⇄ 255	0–100%
54	Groen 4	000 ⇄ 255	0–100%
55	Fijnegroen 4	000 ⇄ 255	0–100%
56	Blauw 4	000 ⇄ 255	0–100%
57	Fijneblauw 4	000 ⇄ 255	0–100%
58	Wit 4	000 ⇄ 255	0–100%
59	Fijnwit 4	000 ⇄ 255	0–100%
60	Rood 5	000 ⇄ 255	0–100%
61	Fijnerood 5	000 ⇄ 255	0–100%
62	Groen 5	000 ⇄ 255	0–100%
63	Fijnegroen 5	000 ⇄ 255	0–100%
64	Blauw 5	000 ⇄ 255	0–100%
65	Fijneblauw 5	000 ⇄ 255	0–100%
66	Wit 5	000 ⇄ 255	0–100%
67	Fijnwit 5	000 ⇄ 255	0–100%
68	Rood 6	000 ⇄ 255	0–100%
69	Fijnerood 6	000 ⇄ 255	0–100%
70	Groen 6	000 ⇄ 255	0–100%
71	Fijnegroen 6	000 ⇄ 255	0–100%
72	Blauw 6	000 ⇄ 255	0–100%
73	Fijneblauw 6	000 ⇄ 255	0–100%
74	Wit 6	000 ⇄ 255	0–100%
75	Fijnwit 6	000 ⇄ 255	0–100%

Kanaal	Functie	Waarde	Percentage/Instelling
76	Rood 7	000 ⇔ 255	0-100%
77	Fijnerood 7	000 ⇔ 255	0-100%
78	Groen 7	000 ⇔ 255	0-100%
79	Fijnegroen 7	000 ⇔ 255	0-100%
80	Blauw 7	000 ⇔ 255	0-100%
81	Fijneblauw 7	000 ⇔ 255	0-100%
82	Wit 7	000 ⇔ 255	0-100%
83	Fijnewit 7	000 ⇔ 255	0-100%
84	Rood 8	000 ⇔ 255	0-100%
85	Fijnerood 8	000 ⇔ 255	0-100%
86	Groen 8	000 ⇔ 255	0-100%
87	Fijnegroen 8	000 ⇔ 255	0-100%
88	Blauw 8	000 ⇔ 255	0-100%
89	Fijneblauw 8	000 ⇔ 255	0-100%
90	Wit 8	000 ⇔ 255	0-100%
91	Fijnewit 8	000 ⇔ 255	0-100%
92	Rood 9	000 ⇔ 255	0-100%
93	Fijnerood 9	000 ⇔ 255	0-100%
94	Groen 9	000 ⇔ 255	0-100%
95	Fijnegroen 9	000 ⇔ 255	0-100%
96	Blauw 9	000 ⇔ 255	0-100%
97	Fijneblauw 9	000 ⇔ 255	0-100%
98	Wit 9	000 ⇔ 255	0-100%
99	Fijnewit 9	000 ⇔ 255	0-100%
100	Rood 10	000 ⇔ 255	0-100%
101	Fijnerood 10	000 ⇔ 255	0-100%
102	Groen 10	000 ⇔ 255	0-100%
103	Fijnegroen 10	000 ⇔ 255	0-100%
104	Blauw 10	000 ⇔ 255	0-100%
105	Fijneblauw 10	000 ⇔ 255	0-100%
106	Wit 10	000 ⇔ 255	0-100%
107	Fijnewit 10	000 ⇔ 255	0-100%
108	Rood 11	000 ⇔ 255	0-100%
109	Fijnerood 11	000 ⇔ 255	0-100%
110	Groen 11	000 ⇔ 255	0-100%
111	Fijnegroen 11	000 ⇔ 255	0-100%
112	Blauw 11	000 ⇔ 255	0-100%
113	Fijneblauw 11	000 ⇔ 255	0-100%
114	Wit 11	000 ⇔ 255	0-100%
115	Fijnewit 11	000 ⇔ 255	0-100%
116	Rood 12	000 ⇔ 255	0-100%
117	Fijnerood 12	000 ⇔ 255	0-100%
118	Groen 12	000 ⇔ 255	0-100%
119	Fijnegroen 12	000 ⇔ 255	0-100%
120	Blauw 12	000 ⇔ 255	0-100%
121	Fijneblauw 12	000 ⇔ 255	0-100%
122	Wit 12	000 ⇔ 255	0-100%
123	Fijnewit 12	000 ⇔ 255	0-100%

Kanaal	Functie	Waarde	Percentage/Instelling
124	Rood 13	000 ⇄ 255	0–100%
125	Fijnerood 13	000 ⇄ 255	0–100%
126	Groen 13	000 ⇄ 255	0–100%
127	Fijnegroen 13	000 ⇄ 255	0–100%
128	Blauw 13	000 ⇄ 255	0–100%
129	Fijneblauw 13	000 ⇄ 255	0–100%
130	Wit 13	000 ⇄ 255	0–100%
131	Fijnwit 13	000 ⇄ 255	0–100%
132	Rood 14	000 ⇄ 255	0–100%
133	Fijnerood 14	000 ⇄ 255	0–100%
134	Groen 14	000 ⇄ 255	0–100%
135	Fijnegroen 14	000 ⇄ 255	0–100%
136	Blauw 14	000 ⇄ 255	0–100%
137	Fijneblauw 14	000 ⇄ 255	0–100%
138	Wit 14	000 ⇄ 255	0–100%
139	Fijnwit 14	000 ⇄ 255	0–100%
140	Rood 15	000 ⇄ 255	0–100%
141	Fijnerood 15	000 ⇄ 255	0–100%
142	Groen 15	000 ⇄ 255	0–100%
143	Fijnegroen 15	000 ⇄ 255	0–100%
144	Blauw 15	000 ⇄ 255	0–100%
145	Fijneblauw 15	000 ⇄ 255	0–100%
146	Wit 15	000 ⇄ 255	0–100%
147	Fijnwit 15	000 ⇄ 255	0–100%
148	Rood 16	000 ⇄ 255	0–100%
149	Fijnerood 16	000 ⇄ 255	0–100%
150	Groen 16	000 ⇄ 255	0–100%
151	Fijnegroen 16	000 ⇄ 255	0–100%
152	Blauw 16	000 ⇄ 255	0–100%
153	Fijneblauw 16	000 ⇄ 255	0–100%
154	Wit 16	000 ⇄ 255	0–100%
155	Fijnwit 16	000 ⇄ 255	0–100%
156	Rood 17	000 ⇄ 255	0–100%
157	Fijnerood 17	000 ⇄ 255	0–100%
158	Groen 17	000 ⇄ 255	0–100%
159	Fijnegroen 17	000 ⇄ 255	0–100%
160	Blauw 17	000 ⇄ 255	0–100%
161	Fijneblauw 17	000 ⇄ 255	0–100%
162	Wit 17	000 ⇄ 255	0–100%
163	Fijnwit 17	000 ⇄ 255	0–100%
164	Rood 18	000 ⇄ 255	0–100%
165	Fijnerood 18	000 ⇄ 255	0–100%
166	Groen 18	000 ⇄ 255	0–100%
167	Fijnegroen 18	000 ⇄ 255	0–100%
168	Blauw 18	000 ⇄ 255	0–100%
169	Fijneblauw 18	000 ⇄ 255	0–100%
170	Wit 18	000 ⇄ 255	0–100%
171	Fijnwit 18	000 ⇄ 255	0–100%

Kanaal	Functie	Waarde	Percentage/Instelling
172	Rood 19	000 ⇔ 255	0-100%
173	Fijnerood 19	000 ⇔ 255	0-100%
174	Groen 19	000 ⇔ 255	0-100%
175	Fijnegroen 19	000 ⇔ 255	0-100%
176	Blauw 19	000 ⇔ 255	0-100%
177	Fijneblauw 19	000 ⇔ 255	0-100%
178	Wit 19	000 ⇔ 255	0-100%
179	Fijnewit 19	000 ⇔ 255	0-100%
180	Rood 20	000 ⇔ 255	0-100%
181	Fijnerood 20	000 ⇔ 255	0-100%
182	Groen 20	000 ⇔ 255	0-100%
183	Fijnegroen 20	000 ⇔ 255	0-100%
184	Blauw 20	000 ⇔ 255	0-100%
185	Fijneblauw 20	000 ⇔ 255	0-100%
186	Wit 20	000 ⇔ 255	0-100%
187	Fijnewit 20	000 ⇔ 255	0-100%
188	Rood 21	000 ⇔ 255	0-100%
189	Fijnerood 21	000 ⇔ 255	0-100%
190	Groen 21	000 ⇔ 255	0-100%
191	Fijnegroen 21	000 ⇔ 255	0-100%
192	Blauw 21	000 ⇔ 255	0-100%
193	Fijneblauw 21	000 ⇔ 255	0-100%
194	Wit 21	000 ⇔ 255	0-100%
195	Fijnewit 21	000 ⇔ 255	0-100%
196	Rood 22	000 ⇔ 255	0-100%
197	Fijnerood 22	000 ⇔ 255	0-100%
198	Groen 22	000 ⇔ 255	0-100%
199	Fijnegroen 22	000 ⇔ 255	0-100%
200	Blauw 22	000 ⇔ 255	0-100%
201	Fijneblauw 22	000 ⇔ 255	0-100%
202	Wit 22	000 ⇔ 255	0-100%
203	Fijnewit 22	000 ⇔ 255	0-100%
204	Rood 23	000 ⇔ 255	0-100%
205	Fijnerood 23	000 ⇔ 255	0-100%
206	Groen 23	000 ⇔ 255	0-100%
207	Fijnegroen 23	000 ⇔ 255	0-100%
208	Blauw 23	000 ⇔ 255	0-100%
209	Fijneblauw 23	000 ⇔ 255	0-100%
210	Wit 23	000 ⇔ 255	0-100%
211	Fijnewit 23	000 ⇔ 255	0-100%
212	Rood 24	000 ⇔ 255	0-100%
213	Fijnerood 24	000 ⇔ 255	0-100%
214	Groen 24	000 ⇔ 255	0-100%
215	Fijnegroen 24	000 ⇔ 255	0-100%
216	Blauw 24	000 ⇔ 255	0-100%
217	Fijneblauw 24	000 ⇔ 255	0-100%
218	Wit 24	000 ⇔ 255	0-100%
219	Fijnewit 24	000 ⇔ 255	0-100%

Kanaal	Functie	Waarde	Percentage/Instelling
220	Rood 25	000 ⇄ 255	0–100%
221	Fijnerood 25	000 ⇄ 255	0–100%
222	Groen 25	000 ⇄ 255	0–100%
223	Fijnegroen 25	000 ⇄ 255	0–100%
224	Blauw 25	000 ⇄ 255	0–100%
225	Fijneblauw 25	000 ⇄ 255	0–100%
226	Wit 25	000 ⇄ 255	0–100%
227	Fijnwit 25	000 ⇄ 255	0–100%
228	Rood 26	000 ⇄ 255	0–100%
229	Fijnerood 26	000 ⇄ 255	0–100%
230	Groen 26	000 ⇄ 255	0–100%
231	Fijnegroen 26	000 ⇄ 255	0–100%
232	Blauw 26	000 ⇄ 255	0–100%
233	Fijneblauw 26	000 ⇄ 255	0–100%
234	Wit 26	000 ⇄ 255	0–100%
235	Fijnwit 26	000 ⇄ 255	0–100%
236	Rood 27	000 ⇄ 255	0–100%
237	Fijnerood 27	000 ⇄ 255	0–100%
238	Groen 27	000 ⇄ 255	0–100%
239	Fijnegroen 27	000 ⇄ 255	0–100%
240	Blauw 27	000 ⇄ 255	0–100%
241	Fijneblauw 27	000 ⇄ 255	0–100%
242	Wit 27	000 ⇄ 255	0–100%
243	Fijnwit 27	000 ⇄ 255	0–100%

**“Single Control”: “Standard”-modus (129-kanaal)**

Kanaal	Functie	Waarde	Percentage/Instelling
1	Zwenken	000 ⇔ 255	0–100%
2	Fijnezwenken	000 ⇔ 255	0–100%
3	Kantelen	000 ⇔ 255	0–100%
4	Fijnekantelen	000 ⇔ 255	0–100%
5	Zwenken/Kantelensnelheid	000 ⇔ 255	Snel tot langzaam
6	CTC	000	Geen functie
		001 ⇔ 255	Kleurtemperatuur, 2800–10000 K
7	Kleurmacro	000	Geen functie
		001 ⇔ 255	Kleurenmacro's
8	Gobo	000	Geen functie
		001 ⇔ 255	Gobo's (geïndexeerd)
9	LED Macro / Automatisch programma	000 ⇔ 015	Geen functie
		016 ⇔ 135	LED macro's
		136 ⇔ 255	Automatische programma's
10	LED Macro / Automatisch programmasnelheid	000 ⇔ 127	Snel tot langzaam
		128	Bevriezen
		129 ⇔ 255	Langzaam tot snel
11	LED ingebouwde vertraging	000 ⇔ 255	Snel tot langzaam
12	Achtergrondkleur	000	Geen functie
		001 ⇔ 002	2700K R = 156 G = 118 B = 0 W = 63
		003 ⇔ 004	3200K R = 156 G = 141 B = 5 W = 89
		005 ⇔ 006	4200K R = 156 G = 141 B = 14 W = 255
		007 ⇔ 008	5600K R = 156 G = 207 B = 54 W = 255
		009 ⇔ 010	8000K R = 130 G = 255 B = 96 W = 255
		011	Blauw R = 0 G = 0 B = 255 W = 0
		012 ⇔ 048	+ Groen R = 0 G = 0–255 B = 255 W = 0
		049	Cyaan R = 0 G = 255 B = 255 W = 0
		050 ⇔ 086	- Blauw R = 0 G = 255 B = 255–0 W = 0
		087	Groen R = 0 G = 255 B = 0 W = 0
		088 ⇔ 124	+ Rood R = 0–255 G = 255 B = 0 W = 0
		125	Geel R = 255 G = 255 B = 0 W = 0
		126 ⇔ 162	- Groen R = 255 G = 255–0 B = 0 W = 0
		163	Rood R = 255 G = 0 B = 0 W = 0
		164 ⇔ 200	+ Blauw R = 255 G = 0 B = 0–255 W = 0
		201	Magenta R = 255 G = 0 B = 255 W = 0
		202 ⇔ 238	- Rood R = 255–0 G = 0 B = 255 W = 0
		239	Blauw R = 0 G = 0 B = 255 W = 0
		240 ⇔ 247	Kleurverandering, snel tot langzaam
248 ⇔ 255	Kleursprong, snel tot langzaam		
13	Achtergronddimmer	000 ⇔ 255	0–100%
14	Hoofddimmer	000 ⇔ 255	0–100%



Kanaal	Functie	Waarde	Percentage/Instelling
15	Sluiter	000 ⇄ 019	Uit
		020 ⇄ 024	Aan
		025 ⇄ 064	Stroboscoop, snel tot langzaam
		065 ⇄ 069	Aan
		070 ⇄ 084	Stroboscoop 100–0%, snel tot langzaam
		085 ⇄ 089	Aan
		090 ⇄ 104	Stroboscoop 0–100%, snel tot langzaam
		105 ⇄ 109	Aan
		110 ⇄ 124	Willekeurigestroboscoop, snel tot langzaam
		125 ⇄ 129	Aan
		130 ⇄ 144	Willekeurigestroboscoop 100–0%, snel tot langzaam
		145 ⇄ 149	Aan
		150 ⇄ 164	Willekeurigestroboscoop 0–100%, snel tot langzaam
		165 ⇄ 169	Aan
		170 ⇄ 184	Pulsstroboscoop, snel tot langzaam
		185 ⇄ 189	Aan
		190 ⇄ 204	Willekeurigepulsstroboscoop, snel tot langzaam
205 ⇄ 209	Aan		
210 ⇄ 224	Stroboscoop 0–100–0%, snel tot langzaam		
225 ⇄ 229	Aan		
230 ⇄ 244	Willekeurigepulsstroboscoop, snel tot langzaam		
245 ⇄ 255	Aan		
16	Zoom	000 ⇄ 255	Breed tot nauw
17	Regeling	000 ⇄ 009	Geen functie
		010 ⇄ 014	Zwenk-/kantelverduistering
		015 ⇄ 019	Gereserveerd voor toekomstig gebruik
		020 ⇄ 024	RGBW-kleurenmengmodus
		025 ⇄ 029	CMY-kleurenmengmodus (R=C, G=M, B=Y)
		030 ⇄ 049	Gereserveerd voor toekomstig gebruik
		050 ⇄ 054	Zwenk-reset
		055 ⇄ 059	Kantel-reset
		060 ⇄ 064	Zoom-reset
		065 ⇄ 069	Gereserveerd voor toekomstig gebruik
		070 ⇄ 074	Alles-reset
		075 ⇄ 109	Gereserveerd voor toekomstig gebruik
		110 ⇄ 114	Zwenk-/kantelsnelheid snel
		115 ⇄ 119	Zwenk-/kantelsnelheid langzaam
		120 ⇄ 124	Ventilatormodus langzaam
		125 ⇄ 129	Ventilatormodus volledig
		130 ⇄ 134	Ventilatormodus auto
135 ⇄ 139	Dimmodus snel		
140 ⇄ 144	Dimmodus langzaam		
145 ⇄ 255	Gereserveerd voor toekomstig gebruik		
18	Hoofdrood	000 ⇄ 255	0–100%
19	Hoofdgroen	000 ⇄ 255	0–100%
20	Hoofdblauw	000 ⇄ 255	0–100%
21	Hoofdwit	000 ⇄ 255	0–100%
22	Rood 1	000 ⇄ 255	0–100%
23	Groen 1	000 ⇄ 255	0–100%
24	Blauw 1	000 ⇄ 255	0–100%
25	Wit 1	000 ⇄ 255	0–100%
26	Rood 2	000 ⇄ 255	0–100%
27	Groen 2	000 ⇄ 255	0–100%
28	Blauw 2	000 ⇄ 255	0–100%
29	Wit 2	000 ⇄ 255	0–100%

Kanaal	Functie	Waarde	Percentage/Instelling
30	Rood 3	000 ⇔ 255	0-100%
31	Groen 3	000 ⇔ 255	0-100%
32	Blauw 3	000 ⇔ 255	0-100%
33	Wit 3	000 ⇔ 255	0-100%
34	Rood 4	000 ⇔ 255	0-100%
35	Groen 4	000 ⇔ 255	0-100%
36	Blauw 4	000 ⇔ 255	0-100%
37	Wit 4	000 ⇔ 255	0-100%
38	Rood 5	000 ⇔ 255	0-100%
39	Groen 5	000 ⇔ 255	0-100%
40	Blauw 5	000 ⇔ 255	0-100%
41	Wit 5	000 ⇔ 255	0-100%
42	Rood 6	000 ⇔ 255	0-100%
43	Groen 6	000 ⇔ 255	0-100%
44	Blauw 6	000 ⇔ 255	0-100%
45	Wit 6	000 ⇔ 255	0-100%
46	Rood 7	000 ⇔ 255	0-100%
47	Groen 7	000 ⇔ 255	0-100%
48	Blauw 7	000 ⇔ 255	0-100%
49	Wit 7	000 ⇔ 255	0-100%
50	Rood 8	000 ⇔ 255	0-100%
51	Groen 8	000 ⇔ 255	0-100%
52	Blauw 8	000 ⇔ 255	0-100%
53	Wit 8	000 ⇔ 255	0-100%
54	Rood 9	000 ⇔ 255	0-100%
55	Groen 9	000 ⇔ 255	0-100%
56	Blauw 9	000 ⇔ 255	0-100%
57	Wit 9	000 ⇔ 255	0-100%
58	Rood 10	000 ⇔ 255	0-100%
59	Groen 10	000 ⇔ 255	0-100%
60	Blauw 10	000 ⇔ 255	0-100%
61	Wit 10	000 ⇔ 255	0-100%
62	Rood 11	000 ⇔ 255	0-100%
63	Groen 11	000 ⇔ 255	0-100%
64	Blauw 11	000 ⇔ 255	0-100%
65	Wit 11	000 ⇔ 255	0-100%
66	Rood 12	000 ⇔ 255	0-100%
67	Groen 12	000 ⇔ 255	0-100%
68	Blauw 12	000 ⇔ 255	0-100%
69	Wit 12	000 ⇔ 255	0-100%
70	Rood 13	000 ⇔ 255	0-100%
71	Groen 13	000 ⇔ 255	0-100%
72	Blauw 13	000 ⇔ 255	0-100%
73	Wit 13	000 ⇔ 255	0-100%
74	Rood 14	000 ⇔ 255	0-100%
75	Groen 14	000 ⇔ 255	0-100%
76	Blauw 14	000 ⇔ 255	0-100%
77	Wit 14	000 ⇔ 255	0-100%
78	Rood 15	000 ⇔ 255	0-100%
79	Groen 15	000 ⇔ 255	0-100%
80	Blauw 15	000 ⇔ 255	0-100%
81	Wit 15	000 ⇔ 255	0-100%

Kanaal	Functie	Waarde	Percentage/Instelling
82	Rood 16	000 ⇄ 255	0–100%
83	Groen 16	000 ⇄ 255	0–100%
84	Blauw 16	000 ⇄ 255	0–100%
85	Wit 16	000 ⇄ 255	0–100%
86	Rood 17	000 ⇄ 255	0–100%
87	Groen 17	000 ⇄ 255	0–100%
88	Blauw 17	000 ⇄ 255	0–100%
89	Wit 17	000 ⇄ 255	0–100%
90	Rood 18	000 ⇄ 255	0–100%
91	Groen 18	000 ⇄ 255	0–100%
92	Blauw 18	000 ⇄ 255	0–100%
93	Wit 18	000 ⇄ 255	0–100%
94	Rood 19	000 ⇄ 255	0–100%
95	Groen 19	000 ⇄ 255	0–100%
96	Blauw 19	000 ⇄ 255	0–100%
97	Wit 19	000 ⇄ 255	0–100%
98	Rood 20	000 ⇄ 255	0–100%
99	Groen 20	000 ⇄ 255	0–100%
100	Blauw 20	000 ⇄ 255	0–100%
101	Wit 20	000 ⇄ 255	0–100%
102	Rood 21	000 ⇄ 255	0–100%
103	Groen 21	000 ⇄ 255	0–100%
104	Blauw 21	000 ⇄ 255	0–100%
105	Wit 21	000 ⇄ 255	0–100%
106	Rood 22	000 ⇄ 255	0–100%
107	Groen 22	000 ⇄ 255	0–100%
108	Blauw 22	000 ⇄ 255	0–100%
109	Wit 22	000 ⇄ 255	0–100%
110	Rood 23	000 ⇄ 255	0–100%
111	Groen 23	000 ⇄ 255	0–100%
112	Blauw 23	000 ⇄ 255	0–100%
113	Wit 23	000 ⇄ 255	0–100%
114	Rood 24	000 ⇄ 255	0–100%
115	Groen 24	000 ⇄ 255	0–100%
116	Blauw 24	000 ⇄ 255	0–100%
117	Wit 24	000 ⇄ 255	0–100%
118	Rood 25	000 ⇄ 255	0–100%
119	Groen 25	000 ⇄ 255	0–100%
120	Blauw 25	000 ⇄ 255	0–100%
121	Wit 25	000 ⇄ 255	0–100%
122	Rood 26	000 ⇄ 255	0–100%
123	Groen 26	000 ⇄ 255	0–100%
124	Blauw 26	000 ⇄ 255	0–100%
125	Wit 26	000 ⇄ 255	0–100%
126	Rood 27	000 ⇄ 255	0–100%
127	Groen 27	000 ⇄ 255	0–100%
128	Blauw 27	000 ⇄ 255	0–100%
129	Wit 27	000 ⇄ 255	0–100%

**“Single Control”: “Basic”-modus (21-kanaal)**

Kanaal	Functie	Waarde	Percentage/Instelling
1	Zwenken	000 ⇔ 255	0–100%
2	Fijnezwenken	000 ⇔ 255	0–100%
3	Kantelen	000 ⇔ 255	0–100%
4	Fijnekantelen	000 ⇔ 255	0–100%
5	Zwenken/Kantelensnelheid	000 ⇔ 255	Snel tot langzaam
6	CTC	000	Geen functie
		001 ⇔ 255	Kleurtemperatuur, 2800–10000 K
7	Kleurmacro	000	Geen functie
		001 ⇔ 255	Kleurenmacro's
8	Gobo	000	Geen functie
		001 ⇔ 255	Gobo's (geïndexeerd)
9	LED Macro / Automatisch programma	000 ⇔ 015	Geen functie
		016 ⇔ 135	LED macro's
		136 ⇔ 255	Automatische programma's
10	LED Macro / Automatisch programmasnelheid	000 ⇔ 127	Snel tot langzaam
		128	Bevriezen
		129 ⇔ 255	Langzaam tot snel
11	LED ingebouwde vertraging	000 ⇔ 255	Snel tot langzaam
12	Achtergrondkleur	000	Geen functie
		001 ⇔ 002	2700K R = 156 G = 118 B = 0 W = 63
		003 ⇔ 004	3200K R = 156 G = 141 B = 5 W = 89
		005 ⇔ 006	4200K R = 156 G = 141 B = 14 W = 255
		007 ⇔ 008	5600K R = 156 G = 207 B = 54 W = 255
		009 ⇔ 010	8000K R = 130 G = 255 B = 96 W = 255
		011	Blauw R = 0 G = 0 B = 255 W = 0
		012 ⇔ 048	+ Groen R = 0 G = 0–255 B = 255 W = 0
		049	Cyaan R = 0 G = 255 B = 255 W = 0
		050 ⇔ 086	- Blauw R = 0 G = 255 B = 255–0 W = 0
		087	Groen R = 0 G = 255 B = 0 W = 0
		088 ⇔ 124	+ Rood R = 0–255 G = 255 B = 0 W = 0
		125	Geel R = 255 G = 255 B = 0 W = 0
		126 ⇔ 162	- Groen R = 255 G = 255–0 B = 0 W = 0
		163	Rood R = 255 G = 0 B = 0 W = 0
		164 ⇔ 200	+ Blauw R = 255 G = 0 B = 0–255 W = 0
		201	Magenta R = 255 G = 0 B = 255 W = 0
		202 ⇔ 238	- Rood R = 255–0 G = 0 B = 255 W = 0
		239	Blauw R = 0 G = 0 B = 255 W = 0
		240 ⇔ 247	Kleurverandering, snel tot langzaam
248 ⇔ 255	Kleursprong, snel tot langzaam		
13	Achtergronddimmer	000 ⇔ 255	0–100%
14	Hoofddimmer	000 ⇔ 255	0–100%

Kanaal	Functie	Waarde	Percentage/Instelling
15	Sluiter	000 ⇄ 019	Uit
		020 ⇄ 024	Aan
		025 ⇄ 064	Stroboscoop, snel tot langzaam
		065 ⇄ 069	Aan
		070 ⇄ 084	Stroboscoop 100–0%, snel tot langzaam
		085 ⇄ 089	Aan
		090 ⇄ 104	Stroboscoop 0–100%, snel tot langzaam
		105 ⇄ 109	Aan
		110 ⇄ 124	Willekeurigestroboscoop, snel tot langzaam
		125 ⇄ 129	Aan
		130 ⇄ 144	Willekeurigestroboscoop 100–0%, snel tot langzaam
		145 ⇄ 149	Aan
		150 ⇄ 164	Willekeurigestroboscoop 0–100%, snel tot langzaam
		165 ⇄ 169	Aan
		170 ⇄ 184	Pulsstroboscoop, snel tot langzaam
		185 ⇄ 189	Aan
		190 ⇄ 204	Willekeurigepulsstroboscoop, snel tot langzaam
205 ⇄ 209	Aan		
210 ⇄ 224	Stroboscoop 0–100–0%, snel tot langzaam		
225 ⇄ 229	Aan		
230 ⇄ 244	Willekeurigepulsstroboscoop, snel tot langzaam		
245 ⇄ 255	Aan		
16	Zoom	000 ⇄ 255	Breed tot nauw
17	Regeling	000 ⇄ 009	Geen functie
		010 ⇄ 014	Zwenk-/kantelverduistering
		015 ⇄ 019	Gereserveerd voor toekomstig gebruik
		020 ⇄ 024	RGBW-kleurenmengmodus
		025 ⇄ 029	CMY-kleurenmengmodus (R=C, G=M, B=Y)
		030 ⇄ 049	Gereserveerd voor toekomstig gebruik
		050 ⇄ 054	Zwenk-reset
		055 ⇄ 059	Kantel-reset
		060 ⇄ 064	Zoom-reset
		065 ⇄ 069	Gereserveerd voor toekomstig gebruik
		070 ⇄ 074	Alles-reset
		075 ⇄ 109	Gereserveerd voor toekomstig gebruik
		110 ⇄ 114	Zwenk-/kantelsnelheid snel
		115 ⇄ 119	Zwenk-/kantelsnelheid langzaam
		120 ⇄ 124	Ventilatormodus langzaam
		125 ⇄ 129	Ventilatormodus volledig
		130 ⇄ 134	Ventilatormodus auto
135 ⇄ 139	Dimmodus snel		
140 ⇄ 144	Dimmodus langzaam		
145 ⇄ 255	Gereserveerd voor toekomstig gebruik		
18	Hoofdrood	000 ⇄ 255	0–100%
19	Hoofdgroen	000 ⇄ 255	0–100%
20	Hoofdblauw	000 ⇄ 255	0–100%
21	Hoofdwit	000 ⇄ 255	0–100%

**“Dual Control”-waarden (Movement)**
**“Dual Control”: “Advanced Movement”-modus (27-kanaal)**

Kanaal	Functie	Waarde	Percentage/Instelling
1	Zwenken	000 ⇔ 255	0–100%
2	Fijnezwenken	000 ⇔ 255	0–100%
3	Kantelen	000 ⇔ 255	0–100%
4	Fijnekantelen	000 ⇔ 255	0–100%
5	Zwenken/Kantelensnelheid	000 ⇔ 255	Snel tot langzaam
6	CTC	000	Geen functie
		001 ⇔ 255	Kleurtemperatuur, 2800–10000 K
7	Kleurmacro	000	Geen functie
		001 ⇔ 255	Kleurenmacro's
8	Gobo	000	Geen functie
		001 ⇔ 255	Gobo's (geïndexeerd)
9	LED Macro / Automatisch programma	000 ⇔ 015	Geen functie
		016 ⇔ 135	LED macro's
		136 ⇔ 255	Automatische programma's
10	LED Macro / Automatisch programmasnelheid	000 ⇔ 127	Snel tot langzaam
		128	Bevriezen
		129 ⇔ 255	Langzaam tot snel
11	LED ingebouwde vertraging	000 ⇔ 255	Snel tot langzaam
12	Achtergrondkleur	000	Geen functie
		001 ⇔ 002	2700K R = 156 G = 118 B = 0 W = 63
		003 ⇔ 004	3200K R = 156 G = 141 B = 5 W = 89
		005 ⇔ 006	4200K R = 156 G = 141 B = 14 W = 255
		007 ⇔ 008	5600K R = 156 G = 207 B = 54 W = 255
		009 ⇔ 010	8000K R = 130 G = 255 B = 96 W = 255
		011	Blauw R = 0 G = 0 B = 255 W = 0
		012 ⇔ 048	+ Groen R = 0 G = 0–255 B = 255 W = 0
		049	Cyaan R = 0 G = 255 B = 255 W = 0
		050 ⇔ 086	- Blauw R = 0 G = 255 B = 255–0 W = 0
		087	Groen R = 0 G = 255 B = 0 W = 0
		088 ⇔ 124	+ Rood R = 0–255 G = 255 B = 0 W = 0
		125	Geel R = 255 G = 255 B = 0 W = 0
		126 ⇔ 162	- Groen R = 255 G = 255–0 B = 0 W = 0
		163	Rood R = 255 G = 0 B = 0 W = 0
		164 ⇔ 200	+ Blauw R = 255 G = 0 B = 0–255 W = 0
		201	Magenta R = 255 G = 0 B = 255 W = 0
		202 ⇔ 238	- Rood R = 255–0 G = 0 B = 255 W = 0
		239	Blauw R = 0 G = 0 B = 255 W = 0
		240 ⇔ 247	Kleurverandering, snel tot langzaam
248 ⇔ 255	Kleursprong, snel tot langzaam		
13	Achtergronddimmer	000 ⇔ 255	0–100%
14	Fijneachtergronddimmer	000 ⇔ 255	0–100%
15	Hoofddimmer	000 ⇔ 255	0–100%
16	Fijnehoofddimmer	000 ⇔ 255	0–100%

Kanaal	Functie	Waarde	Percentage/Instelling
17	Sluiter	000 ⇄ 019	Uit
		020 ⇄ 024	Aan
		025 ⇄ 064	Stroboscoop, snel tot langzaam
		065 ⇄ 069	Aan
		070 ⇄ 084	Stroboscoop 100–0%, snel tot langzaam
		085 ⇄ 089	Aan
		090 ⇄ 104	Stroboscoop 0–100%, snel tot langzaam
		105 ⇄ 109	Aan
		110 ⇄ 124	Willekeurigestroboscoop, snel tot langzaam
		125 ⇄ 129	Aan
		130 ⇄ 144	Willekeurigestroboscoop 100–0%, snel tot langzaam
		145 ⇄ 149	Aan
		150 ⇄ 164	Willekeurigestroboscoop 0–100%, snel tot langzaam
		165 ⇄ 169	Aan
		170 ⇄ 184	Pulsstroboscoop, snel tot langzaam
		185 ⇄ 189	Aan
		190 ⇄ 204	Willekeurigepulsstroboscoop, snel tot langzaam
205 ⇄ 209	Aan		
210 ⇄ 224	Stroboscoop 0–100–0%, snel tot langzaam		
225 ⇄ 229	Aan		
230 ⇄ 244	Willekeurigepulsstroboscoop, snel tot langzaam		
245 ⇄ 255	Aan		
18	Zoom	000 ⇄ 255	Breed tot nauw
19	Regeling	000 ⇄ 009	Geen functie
		010 ⇄ 014	Zwenk-/kantelverduistering
		015 ⇄ 019	Gereserveerd voor toekomstig gebruik
		020 ⇄ 024	RGBW-kleurenmengmodus
		025 ⇄ 029	CMY-kleurenmengmodus (R=C, G=M, B=Y)
		030 ⇄ 049	Gereserveerd voor toekomstig gebruik
		050 ⇄ 054	Zwenk-reset
		055 ⇄ 059	Kantel-reset
		060 ⇄ 064	Zoom-reset
		065 ⇄ 069	Gereserveerd voor toekomstig gebruik
		070 ⇄ 074	Alles-reset
		075 ⇄ 109	Gereserveerd voor toekomstig gebruik
		110 ⇄ 114	Zwenk-/kantelsnelheid snel
		115 ⇄ 119	Zwenk-/kantelsnelheid langzaam
		120 ⇄ 124	Ventilatormodus langzaam
		125 ⇄ 129	Ventilatormodus volledig
		130 ⇄ 134	Ventilatormodus auto
135 ⇄ 139	Dimmodus snel		
140 ⇄ 144	Dimmodus langzaam		
145 ⇄ 255	Gereserveerd voor toekomstig gebruik		
20	Hoofd rood	000 ⇄ 255	0–100%
21	Fijne hoofd rood	000 ⇄ 255	0–100%
22	Hoofd groen	000 ⇄ 255	0–100%
23	Fijne hoofd rood	000 ⇄ 255	0–100%
24	Hoofd blauw	000 ⇄ 255	0–100%
25	Fijne hoofd blauw	000 ⇄ 255	0–100%
26	Hoofd wit	000 ⇄ 255	0–100%
27	Fijne hoofd wit	000 ⇄ 255	0–100%



**“Dual Control”: “Standard Movement”-modus (21-kanaal)**

Kanaal	Functie	Waarde	Percentage/Instelling
1	Zwenken	000 ⇔ 255	0–100%
2	Fijnezwenken	000 ⇔ 255	0–100%
3	Kantelen	000 ⇔ 255	0–100%
4	Fijnekantelen	000 ⇔ 255	0–100%
5	Zwenken/Kantelensnelheid	000 ⇔ 255	Snel tot langzaam
6	CTC	000	Geen functie
		001 ⇔ 255	Kleurtemperatuur, 2800–10000 K
7	Kleurmacro	000	Geen functie
		001 ⇔ 255	Kleurenmacro's
8	Gobo	000	Geen functie
		001 ⇔ 255	Gobo's (geïndexeerd)
9	LED Macro / Automatisch programma	000 ⇔ 015	Geen functie
		016 ⇔ 135	LED macro's
		136 ⇔ 255	Automatische programma's
10	LED Macro / Automatisch programmasnelheid	000 ⇔ 127	Snel tot langzaam
		128	Bevriezen
		129 ⇔ 255	Langzaam tot snel
11	LED ingebouwde vertraging	000 ⇔ 255	Snel tot langzaam
12	Achtergrondkleur	000	Geen functie
		001 ⇔ 002	2700K R = 156 G = 118 B = 0 W = 63
		003 ⇔ 004	3200K R = 156 G = 141 B = 5 W = 89
		005 ⇔ 006	4200K R = 156 G = 141 B = 14 W = 255
		007 ⇔ 008	5600K R = 156 G = 207 B = 54 W = 255
		009 ⇔ 010	8000K R = 130 G = 255 B = 96 W = 255
		011	Blauw R = 0 G = 0 B = 255 W = 0
		012 ⇔ 048	+ Groen R = 0 G = 0–255 B = 255 W = 0
		049	Cyaan R = 0 G = 255 B = 255 W = 0
		050 ⇔ 086	- Blauw R = 0 G = 255 B = 255–0 W = 0
		087	Groen R = 0 G = 255 B = 0 W = 0
		088 ⇔ 124	+ Rood R = 0–255 G = 255 B = 0 W = 0
		125	Geel R = 255 G = 255 B = 0 W = 0
		126 ⇔ 162	- Groen R = 255 G = 255–0 B = 0 W = 0
		163	Rood R = 255 G = 0 B = 0 W = 0
		164 ⇔ 200	+ Blauw R = 255 G = 0 B = 0–255 W = 0
		201	Magenta R = 255 G = 0 B = 255 W = 0
		202 ⇔ 238	- Rood R = 255–0 G = 0 B = 255 W = 0
		239	Blauw R = 0 G = 0 B = 255 W = 0
		240 ⇔ 247	Kleurverandering, snel tot langzaam
248 ⇔ 255	Kleursprong, snel tot langzaam		
13	Achtergronddimmer	000 ⇔ 255	0–100%
14	Hoofddimmer	000 ⇔ 255	0–100%

Kanaal	Functie	Waarde	Percentage/Instelling
15	Sluiter	000 ⇄ 019	Uit
		020 ⇄ 024	Aan
		025 ⇄ 064	Stroboscoop, snel tot langzaam
		065 ⇄ 069	Aan
		070 ⇄ 084	Stroboscoop 100–0%, snel tot langzaam
		085 ⇄ 089	Aan
		090 ⇄ 104	Stroboscoop 0–100%, snel tot langzaam
		105 ⇄ 109	Aan
		110 ⇄ 124	Willekeurigestroboscoop, snel tot langzaam
		125 ⇄ 129	Aan
		130 ⇄ 144	Willekeurigestroboscoop 100–0%, snel tot langzaam
		145 ⇄ 149	Aan
		150 ⇄ 164	Willekeurigestroboscoop 0–100%, snel tot langzaam
		165 ⇄ 169	Aan
		170 ⇄ 184	Pulsstroboscoop, snel tot langzaam
		185 ⇄ 189	Aan
		190 ⇄ 204	Willekeurigepulsstroboscoop, snel tot langzaam
205 ⇄ 209	Aan		
210 ⇄ 224	Stroboscoop 0–100–0%, snel tot langzaam		
225 ⇄ 229	Aan		
230 ⇄ 244	Willekeurigepulsstroboscoop, snel tot langzaam		
245 ⇄ 255	Aan		
16	Zoom	000 ⇄ 255	Breed tot nauw
17	Regeling	000 ⇄ 009	Geen functie
		010 ⇄ 014	Zwenk-/kantelverduistering
		015 ⇄ 019	Gereserveerd voor toekomstig gebruik
		020 ⇄ 024	RGBW-kleurenmengmodus
		025 ⇄ 029	CMY-kleurenmengmodus (R=C, G=M, B=Y)
		030 ⇄ 049	Gereserveerd voor toekomstig gebruik
		050 ⇄ 054	Zwenk-reset
		055 ⇄ 059	Kantel-reset
		060 ⇄ 064	Zoom-reset
		065 ⇄ 069	Gereserveerd voor toekomstig gebruik
		070 ⇄ 074	Alles-reset
		075 ⇄ 109	Gereserveerd voor toekomstig gebruik
		110 ⇄ 114	Zwenk-/kantelsnelheid snel
		115 ⇄ 119	Zwenk-/kantelsnelheid langzaam
		120 ⇄ 124	Ventilatormodus langzaam
		125 ⇄ 129	Ventilatormodus volledig
		130 ⇄ 134	Ventilatormodus auto
135 ⇄ 139	Dimmodus snel		
140 ⇄ 144	Dimmodus langzaam		
145 ⇄ 255	Gereserveerd voor toekomstig gebruik		
18	Hoofdrood	000 ⇄ 255	0–100%
19	Hoofdgroen	000 ⇄ 255	0–100%
20	Hoofdblauw	000 ⇄ 255	0–100%
21	Hoofdwit	000 ⇄ 255	0–100%

**“Dual Control”: “Basic Movement”-modus (9-kanaal)**

Kanaal	Functie	Waarde	Percentage/Instelling
1	Zwenken	000 ⇔ 255	0–100%
2	Fijnezwenken	000 ⇔ 255	0–100%
3	Kantelen	000 ⇔ 255	0–100%
4	Fijnekantelen	000 ⇔ 255	0–100%
5	Zwenken/Kantelensnelheid	000 ⇔ 255	Snel tot langzaam
6	Hoofddimmer	000 ⇔ 255	0–100%
7	Sluiter	000 ⇔ 019	Uit
		020 ⇔ 024	Aan
		025 ⇔ 064	Stroboscoop, snel tot langzaam
		065 ⇔ 069	Aan
		070 ⇔ 084	Stroboscoop 100–0%, snel tot langzaam
		085 ⇔ 089	Aan
		090 ⇔ 104	Stroboscoop 0–100%, snel tot langzaam
		105 ⇔ 109	Aan
		110 ⇔ 124	Willekeurigestroboscoop, snel tot langzaam
		125 ⇔ 129	Aan
		130 ⇔ 144	Willekeurigestroboscoop 100–0%, snel tot langzaam
		145 ⇔ 149	Aan
		150 ⇔ 164	Willekeurigestroboscoop 0–100%, snel tot langzaam
		165 ⇔ 169	Aan
		170 ⇔ 184	Pulsstroboscoop, snel tot langzaam
		185 ⇔ 189	Aan
190 ⇔ 204	Willekeurigepulsstroboscoop, snel tot langzaam		
205 ⇔ 209	Aan		
210 ⇔ 224	Stroboscoop 0–100–0%, snel tot langzaam		
225 ⇔ 229	Aan		
230 ⇔ 244	Willekeurigepulsstroboscoop, snel tot langzaam		
245 ⇔ 255	Aan		
8	Zoom	000 ⇔ 255	Breed tot nauw
9	Regeling	000 ⇔ 009	Geen functie
		010 ⇔ 014	Zwenk-/kantelverduistering
		015 ⇔ 019	Gereserveerd voor toekomstig gebruik
		020 ⇔ 024	RGBW-kleurenmengmodus
		025 ⇔ 029	CMY-kleurenmengmodus (R=C, G=M, B=Y)
		030 ⇔ 049	Gereserveerd voor toekomstig gebruik
		050 ⇔ 054	Zwenk-reset
		055 ⇔ 059	Kantel-reset
		060 ⇔ 064	Zoom-reset
		065 ⇔ 069	Gereserveerd voor toekomstig gebruik
		070 ⇔ 074	Alles-reset
		075 ⇔ 109	Gereserveerd voor toekomstig gebruik
		110 ⇔ 114	Zwenk-/kantelsnelheid snel
		115 ⇔ 119	Zwenk-/kantelsnelheid langzaam
		120 ⇔ 124	Ventilatormodus langzaam
		125 ⇔ 129	Ventilatormodus volledig
		130 ⇔ 134	Ventilatormodus auto
		135 ⇔ 139	Dimmodus snel
140 ⇔ 144	Dimmodus langzaam		
145 ⇔ 255	Gereserveerd voor toekomstig gebruik		

## “Dual Control”-waarden (Pixels)

“Dual Control”: “Advanced Pixels”-modus (216-kanaal)

Kanaal	Functie	Waarde	Percentage/Instelling
1	Rood 1	000 ⇄ 255	0–100%
2	Fijnerood 1	000 ⇄ 255	0–100%
3	Groen 1	000 ⇄ 255	0–100%
4	Fijnegroen 1	000 ⇄ 255	0–100%
5	Blauw 1	000 ⇄ 255	0–100%
6	Fijneblauw 1	000 ⇄ 255	0–100%
7	Wit	000 ⇄ 255	0–100%
8	Fijnewit 1	000 ⇄ 255	0–100%
9	Rood 2	000 ⇄ 255	0–100%
10	Fijnerood 2	000 ⇄ 255	0–100%
11	Groen 2	000 ⇄ 255	0–100%
12	Fijnegroen 2	000 ⇄ 255	0–100%
13	Blauw 2	000 ⇄ 255	0–100%
14	Fijneblauw 2	000 ⇄ 255	0–100%
15	Wit 2	000 ⇄ 255	0–100%
16	Fijnewit 2	000 ⇄ 255	0–100%
17	Rood 3	000 ⇄ 255	0–100%
18	Fijnerood 3	000 ⇄ 255	0–100%
19	Groen 3	000 ⇄ 255	0–100%
20	Fijnegroen 3	000 ⇄ 255	0–100%
21	Blauw 3	000 ⇄ 255	0–100%
22	Fijneblauw 3	000 ⇄ 255	0–100%
23	Wit 3	000 ⇄ 255	0–100%
24	Fijnewit 3	000 ⇄ 255	0–100%
25	Rood 4	000 ⇄ 255	0–100%
26	Fijnerood 4	000 ⇄ 255	0–100%
27	Groen 4	000 ⇄ 255	0–100%
28	Fijnegroen 4	000 ⇄ 255	0–100%
29	Blauw 4	000 ⇄ 255	0–100%
30	Fijneblauw 4	000 ⇄ 255	0–100%
31	Wit 4	000 ⇄ 255	0–100%
32	Fijnewit 4	000 ⇄ 255	0–100%
33	Rood 5	000 ⇄ 255	0–100%
34	Fijnerood 5	000 ⇄ 255	0–100%
35	Groen 5	000 ⇄ 255	0–100%
36	Fijnegroen 5	000 ⇄ 255	0–100%
37	Blauw 5	000 ⇄ 255	0–100%
38	Fijneblauw 5	000 ⇄ 255	0–100%
39	Wit 5	000 ⇄ 255	0–100%
40	Fijnewit 5	000 ⇄ 255	0–100%
41	Rood 6	000 ⇄ 255	0–100%
42	Fijnerood 6	000 ⇄ 255	0–100%
43	Groen 6	000 ⇄ 255	0–100%
44	Fijnegroen 6	000 ⇄ 255	0–100%
45	Blauw 6	000 ⇄ 255	0–100%
46	Fijneblauw 6	000 ⇄ 255	0–100%
47	Wit 6	000 ⇄ 255	0–100%
48	Fijnewit 6	000 ⇄ 255	0–100%
49	Rood 7	000 ⇄ 255	0–100%
50	Fijnerood 7	000 ⇄ 255	0–100%
51	Groen 7	000 ⇄ 255	0–100%
52	Fijnegroen 7	000 ⇄ 255	0–100%

Kanaal	Functie	Waarde	Percentage/Instelling
53	Blauw 7	000 ⇔ 255	0-100%
54	Fijneblauw 7	000 ⇔ 255	0-100%
55	Wit 7	000 ⇔ 255	0-100%
56	Fijnewit 7	000 ⇔ 255	0-100%
57	Rood 8	000 ⇔ 255	0-100%
58	Fijnerood 8	000 ⇔ 255	0-100%
59	Groen 8	000 ⇔ 255	0-100%
60	Fijnegroen 8	000 ⇔ 255	0-100%
61	Blauw 8	000 ⇔ 255	0-100%
62	Fijneblauw 8	000 ⇔ 255	0-100%
63	Wit 8	000 ⇔ 255	0-100%
64	Fijnewit 8	000 ⇔ 255	0-100%
65	Rood 9	000 ⇔ 255	0-100%
66	Fijnerood 9	000 ⇔ 255	0-100%
67	Groen 9	000 ⇔ 255	0-100%
68	Fijnegroen 9	000 ⇔ 255	0-100%
69	Blauw 9	000 ⇔ 255	0-100%
70	Fijneblauw 9	000 ⇔ 255	0-100%
71	Wit 9	000 ⇔ 255	0-100%
72	Fijnewit 9	000 ⇔ 255	0-100%
73	Rood 10	000 ⇔ 255	0-100%
74	Fijnerood 10	000 ⇔ 255	0-100%
75	Groen 10	000 ⇔ 255	0-100%
76	Fijnegroen 10	000 ⇔ 255	0-100%
77	Blauw 10	000 ⇔ 255	0-100%
78	Fijneblauw 10	000 ⇔ 255	0-100%
79	Wit 10	000 ⇔ 255	0-100%
80	Fijnewit 10	000 ⇔ 255	0-100%
81	Rood 11	000 ⇔ 255	0-100%
82	Fijnerood 11	000 ⇔ 255	0-100%
83	Groen 11	000 ⇔ 255	0-100%
84	Fijnegroen 11	000 ⇔ 255	0-100%
85	Blauw 11	000 ⇔ 255	0-100%
86	Fijneblauw 11	000 ⇔ 255	0-100%
87	Wit 11	000 ⇔ 255	0-100%
88	Fijnewit 11	000 ⇔ 255	0-100%
89	Rood 12	000 ⇔ 255	0-100%
90	Fijnerood 12	000 ⇔ 255	0-100%
91	Groen 12	000 ⇔ 255	0-100%
92	Fijnegroen 12	000 ⇔ 255	0-100%
93	Blauw 12	000 ⇔ 255	0-100%
94	Fijneblauw 12	000 ⇔ 255	0-100%
95	Wit 12	000 ⇔ 255	0-100%
96	Fijnewit 12	000 ⇔ 255	0-100%
97	Rood 13	000 ⇔ 255	0-100%
98	Fijnerood 13	000 ⇔ 255	0-100%
99	Groen 13	000 ⇔ 255	0-100%
100	Fijnegroen 13	000 ⇔ 255	0-100%
101	Blauw 13	000 ⇔ 255	0-100%
102	Fijneblauw 13	000 ⇔ 255	0-100%
103	Wit 13	000 ⇔ 255	0-100%
104	Fijnewit 13	000 ⇔ 255	0-100%
105	Rood 14	000 ⇔ 255	0-100%
106	Fijnerood 14	000 ⇔ 255	0-100%
107	Groen 14	000 ⇔ 255	0-100%

Kanaal	Functie	Waarde	Percentage/Instelling
108	Fijnegroen 14	000 ⇄ 255	0–100%
109	Blauw 14	000 ⇄ 255	0–100%
110	Fijneblauw 14	000 ⇄ 255	0–100%
111	Wit 14	000 ⇄ 255	0–100%
112	Fijnewit 14	000 ⇄ 255	0–100%
113	Rood 15	000 ⇄ 255	0–100%
114	Fijnerood 15	000 ⇄ 255	0–100%
115	Groen 15	000 ⇄ 255	0–100%
116	Fijnegroen 15	000 ⇄ 255	0–100%
117	Blauw 15	000 ⇄ 255	0–100%
118	Fijneblauw 15	000 ⇄ 255	0–100%
119	Wit 15	000 ⇄ 255	0–100%
120	Fijnewit 15	000 ⇄ 255	0–100%
121	Rood 16	000 ⇄ 255	0–100%
122	Fijnerood 16	000 ⇄ 255	0–100%
123	Groen 16	000 ⇄ 255	0–100%
124	Fijnegroen 16	000 ⇄ 255	0–100%
125	Blauw 16	000 ⇄ 255	0–100%
126	Fijneblauw 16	000 ⇄ 255	0–100%
127	Wit 16	000 ⇄ 255	0–100%
128	Fijnewit 16	000 ⇄ 255	0–100%
129	Rood 17	000 ⇄ 255	0–100%
130	Fijnerood 17	000 ⇄ 255	0–100%
131	Groen 17	000 ⇄ 255	0–100%
132	Fijnegroen 17	000 ⇄ 255	0–100%
133	Blauw 17	000 ⇄ 255	0–100%
134	Fijneblauw 17	000 ⇄ 255	0–100%
135	Wit 17	000 ⇄ 255	0–100%
136	Fijnewit 17	000 ⇄ 255	0–100%
137	Rood 18	000 ⇄ 255	0–100%
138	Fijnerood 18	000 ⇄ 255	0–100%
139	Groen 18	000 ⇄ 255	0–100%
140	Fijnegroen 18	000 ⇄ 255	0–100%
141	Blauw 18	000 ⇄ 255	0–100%
142	Fijneblauw 18	000 ⇄ 255	0–100%
143	Wit 18	000 ⇄ 255	0–100%
144	Fijnewit 18	000 ⇄ 255	0–100%
145	Rood 19	000 ⇄ 255	0–100%
146	Fijnerood 19	000 ⇄ 255	0–100%
147	Groen 19	000 ⇄ 255	0–100%
148	Fijnegroen 19	000 ⇄ 255	0–100%
149	Blauw 19	000 ⇄ 255	0–100%
150	Fijneblauw 19	000 ⇄ 255	0–100%
151	Wit 19	000 ⇄ 255	0–100%
152	Fijnewit 19	000 ⇄ 255	0–100%
153	Rood 20	000 ⇄ 255	0–100%
154	Fijnerood 20	000 ⇄ 255	0–100%
155	Groen 20	000 ⇄ 255	0–100%
156	Fijnegroen 20	000 ⇄ 255	0–100%
157	Blauw 20	000 ⇄ 255	0–100%
158	Fijneblauw 20	000 ⇄ 255	0–100%
159	Wit 20	000 ⇄ 255	0–100%
160	Fijnewit 20	000 ⇄ 255	0–100%
161	Rood 21	000 ⇄ 255	0–100%
162	Fijnerood 21	000 ⇄ 255	0–100%

Kanaal	Functie	Waarde	Percentage/Instelling
163	Groen 21	000 ⇔ 255	0-100%
164	Fijnegroen 21	000 ⇔ 255	0-100%
165	Blauw 21	000 ⇔ 255	0-100%
166	Fijneblauw 21	000 ⇔ 255	0-100%
167	Wit 21	000 ⇔ 255	0-100%
168	Fijnewit 21	000 ⇔ 255	0-100%
169	Rood 22	000 ⇔ 255	0-100%
170	Fijnerood 22	000 ⇔ 255	0-100%
171	Groen 22	000 ⇔ 255	0-100%
172	Fijnegroen 22	000 ⇔ 255	0-100%
173	Blauw 22	000 ⇔ 255	0-100%
174	Fijneblauw 22	000 ⇔ 255	0-100%
175	Wit 22	000 ⇔ 255	0-100%
176	Fijnewit 22	000 ⇔ 255	0-100%
177	Rood 23	000 ⇔ 255	0-100%
178	Fijnerood 23	000 ⇔ 255	0-100%
179	Groen 23	000 ⇔ 255	0-100%
180	Fijnegroen 23	000 ⇔ 255	0-100%
181	Blauw 23	000 ⇔ 255	0-100%
182	Fijneblauw 23	000 ⇔ 255	0-100%
183	Wit 23	000 ⇔ 255	0-100%
184	Fijnewit 23	000 ⇔ 255	0-100%
185	Rood 24	000 ⇔ 255	0-100%
186	Fijnerood 24	000 ⇔ 255	0-100%
187	Groen 24	000 ⇔ 255	0-100%
188	Fijnegroen 24	000 ⇔ 255	0-100%
189	Blauw 24	000 ⇔ 255	0-100%
190	Fijneblauw 24	000 ⇔ 255	0-100%
191	Wit 24	000 ⇔ 255	0-100%
192	Fijnewit 24	000 ⇔ 255	0-100%
193	Rood 25	000 ⇔ 255	0-100%
194	Fijnerood 25	000 ⇔ 255	0-100%
195	Groen 25	000 ⇔ 255	0-100%
196	Fijnegroen 25	000 ⇔ 255	0-100%
197	Blauw 25	000 ⇔ 255	0-100%
198	Fijneblauw 25	000 ⇔ 255	0-100%
199	Wit 25	000 ⇔ 255	0-100%
200	Fijnewit 25	000 ⇔ 255	0-100%
201	Rood 26	000 ⇔ 255	0-100%
202	Fijnerood 26	000 ⇔ 255	0-100%
203	Groen 26	000 ⇔ 255	0-100%
204	Fijnegroen 26	000 ⇔ 255	0-100%
205	Blauw 26	000 ⇔ 255	0-100%
206	Fijneblauw 26	000 ⇔ 255	0-100%
207	Wit 26	000 ⇔ 255	0-100%
208	Fijnewit 26	000 ⇔ 255	0-100%
209	Rood 27	000 ⇔ 255	0-100%
210	Fijnerood 27	000 ⇔ 255	0-100%
211	Groen 27	000 ⇔ 255	0-100%
212	Fijnegroen 27	000 ⇔ 255	0-100%
213	Blauw 27	000 ⇔ 255	0-100%
214	Fijneblauw 27	000 ⇔ 255	0-100%
215	Wit 27	000 ⇔ 255	0-100%
216	Fijnewit 27	000 ⇔ 255	0-100%



## “Dual Control”: “Standard Pixels”-modus (108-kanaal)

Kanaal	Functie	Waarde	Percentage/Instelling
1	Rood 1	000 ⇄ 255	0–100%
2	Groen 1	000 ⇄ 255	0–100%
3	Blaauw 1	000 ⇄ 255	0–100%
4	Wit 1	000 ⇄ 255	0–100%
5	Rood 2	000 ⇄ 255	0–100%
6	Groen 2	000 ⇄ 255	0–100%
7	Blaauw 2	000 ⇄ 255	0–100%
8	Wit 2	000 ⇄ 255	0–100%
9	Rood 3	000 ⇄ 255	0–100%
10	Groen 3	000 ⇄ 255	0–100%
11	Blaauw 3	000 ⇄ 255	0–100%
12	Wit 3	000 ⇄ 255	0–100%
13	Rood 4	000 ⇄ 255	0–100%
14	Groen 4	000 ⇄ 255	0–100%
15	Blaauw 4	000 ⇄ 255	0–100%
16	Wit 4	000 ⇄ 255	0–100%
17	Rood 5	000 ⇄ 255	0–100%
18	Groen 5	000 ⇄ 255	0–100%
19	Blaauw 5	000 ⇄ 255	0–100%
20	Wit 5	000 ⇄ 255	0–100%
21	Rood 6	000 ⇄ 255	0–100%
22	Groen 6	000 ⇄ 255	0–100%
23	Blaauw 6	000 ⇄ 255	0–100%
24	Wit 6	000 ⇄ 255	0–100%
25	Rood 7	000 ⇄ 255	0–100%
26	Groen 7	000 ⇄ 255	0–100%
27	Blaauw 7	000 ⇄ 255	0–100%
28	Wit 7	000 ⇄ 255	0–100%
29	Rood 8	000 ⇄ 255	0–100%
30	Groen 8	000 ⇄ 255	0–100%
31	Blaauw 8	000 ⇄ 255	0–100%
32	Wit 8	000 ⇄ 255	0–100%
33	Rood 9	000 ⇄ 255	0–100%
34	Groen 9	000 ⇄ 255	0–100%
35	Blaauw 9	000 ⇄ 255	0–100%
36	Wit 9	000 ⇄ 255	0–100%
37	Rood 10	000 ⇄ 255	0–100%
38	Groen 10	000 ⇄ 255	0–100%
39	Blaauw 10	000 ⇄ 255	0–100%
40	Wit 10	000 ⇄ 255	0–100%
41	Rood 11	000 ⇄ 255	0–100%
42	Groen 11	000 ⇄ 255	0–100%
43	Blaauw 11	000 ⇄ 255	0–100%
44	Wit 11	000 ⇄ 255	0–100%
45	Rood 12	000 ⇄ 255	0–100%
46	Groen 12	000 ⇄ 255	0–100%
47	Blaauw 12	000 ⇄ 255	0–100%
48	Wit 12	000 ⇄ 255	0–100%
49	Rood 13	000 ⇄ 255	0–100%
50	Groen 13	000 ⇄ 255	0–100%
51	Blaauw 13	000 ⇄ 255	0–100%
52	Wit 13	000 ⇄ 255	0–100%
53	Rood 14	000 ⇄ 255	0–100%
54	Groen 14	000 ⇄ 255	0–100%

Kanaal	Functie	Waarde	Percentage/Instelling
55	Blauw 14	000 ⇔ 255	0-100%
56	Wit 14	000 ⇔ 255	0-100%
57	Rood 15	000 ⇔ 255	0-100%
58	Groen 15	000 ⇔ 255	0-100%
59	Blauw 15	000 ⇔ 255	0-100%
60	Wit 15	000 ⇔ 255	0-100%
61	Rood 16	000 ⇔ 255	0-100%
62	Groen 16	000 ⇔ 255	0-100%
63	Blauw 16	000 ⇔ 255	0-100%
64	Wit 16	000 ⇔ 255	0-100%
65	Rood 17	000 ⇔ 255	0-100%
66	Groen 17	000 ⇔ 255	0-100%
67	Blauw 17	000 ⇔ 255	0-100%
68	Wit 17	000 ⇔ 255	0-100%
69	Rood 18	000 ⇔ 255	0-100%
70	Groen 18	000 ⇔ 255	0-100%
71	Blauw 18	000 ⇔ 255	0-100%
72	Wit 18	000 ⇔ 255	0-100%
73	Rood 19	000 ⇔ 255	0-100%
74	Groen 19	000 ⇔ 255	0-100%
75	Blauw 19	000 ⇔ 255	0-100%
76	Wit 19	000 ⇔ 255	0-100%
77	Rood 20	000 ⇔ 255	0-100%
78	Groen 20	000 ⇔ 255	0-100%
79	Blauw 20	000 ⇔ 255	0-100%
80	Wit 20	000 ⇔ 255	0-100%
81	Rood 21	000 ⇔ 255	0-100%
82	Groen 21	000 ⇔ 255	0-100%
83	Blauw 21	000 ⇔ 255	0-100%
84	Wit 21	000 ⇔ 255	0-100%
85	Rood 22	000 ⇔ 255	0-100%
86	Groen 22	000 ⇔ 255	0-100%
87	Blauw 22	000 ⇔ 255	0-100%
88	Wit 22	000 ⇔ 255	0-100%
89	Rood 23	000 ⇔ 255	0-100%
90	Groen 23	000 ⇔ 255	0-100%
91	Blauw 23	000 ⇔ 255	0-100%
92	Wit 23	000 ⇔ 255	0-100%
93	Rood 24	000 ⇔ 255	0-100%
94	Groen 24	000 ⇔ 255	0-100%
95	Blauw 24	000 ⇔ 255	0-100%
96	Wit 24	000 ⇔ 255	0-100%
97	Rood 25	000 ⇔ 255	0-100%
98	Groen 25	000 ⇔ 255	0-100%
99	Blauw 25	000 ⇔ 255	0-100%
100	Wit 25	000 ⇔ 255	0-100%
101	Rood 26	000 ⇔ 255	0-100%
102	Groen 26	000 ⇔ 255	0-100%
103	Blauw 26	000 ⇔ 255	0-100%
104	Wit 26	000 ⇔ 255	0-100%
105	Rood 27	000 ⇔ 255	0-100%
106	Groen 27	000 ⇔ 255	0-100%
107	Blauw 27	000 ⇔ 255	0-100%
108	Wit 27	000 ⇔ 255	0-100%

## “Dual Control”: “Basic Pixels”-modus (81-kanaal)

Kanaal	Functie	Waarde	Percentage/Instelling
1	Rood 1	000 ⇄ 255	0–100%
2	Groen 1	000 ⇄ 255	0–100%
3	Blaauw 1	000 ⇄ 255	0–100%
4	Rood 2	000 ⇄ 255	0–100%
5	Groen 2	000 ⇄ 255	0–100%
6	Blaauw 2	000 ⇄ 255	0–100%
7	Rood 3	000 ⇄ 255	0–100%
8	Groen 3	000 ⇄ 255	0–100%
9	Blaauw 3	000 ⇄ 255	0–100%
10	Rood 4	000 ⇄ 255	0–100%
11	Groen 4	000 ⇄ 255	0–100%
12	Blaauw 4	000 ⇄ 255	0–100%
13	Rood 5	000 ⇄ 255	0–100%
14	Groen 5	000 ⇄ 255	0–100%
15	Blaauw 5	000 ⇄ 255	0–100%
16	Rood 6	000 ⇄ 255	0–100%
17	Groen 6	000 ⇄ 255	0–100%
18	Blaauw 6	000 ⇄ 255	0–100%
19	Rood 7	000 ⇄ 255	0–100%
20	Groen 7	000 ⇄ 255	0–100%
21	Blaauw 7	000 ⇄ 255	0–100%
22	Rood 8	000 ⇄ 255	0–100%
23	Groen 8	000 ⇄ 255	0–100%
24	Blaauw 8	000 ⇄ 255	0–100%
25	Rood 9	000 ⇄ 255	0–100%
26	Groen 9	000 ⇄ 255	0–100%
27	Blaauw 9	000 ⇄ 255	0–100%
28	Rood 10	000 ⇄ 255	0–100%
29	Groen 10	000 ⇄ 255	0–100%
30	Blaauw 10	000 ⇄ 255	0–100%
31	Rood 11	000 ⇄ 255	0–100%
32	Groen 11	000 ⇄ 255	0–100%
33	Blaauw 11	000 ⇄ 255	0–100%
34	Rood 12	000 ⇄ 255	0–100%
35	Groen 12	000 ⇄ 255	0–100%
36	Blaauw 12	000 ⇄ 255	0–100%
37	Rood 13	000 ⇄ 255	0–100%
38	Groen 13	000 ⇄ 255	0–100%
39	Blaauw 13	000 ⇄ 255	0–100%
40	Rood 14	000 ⇄ 255	0–100%
41	Groen 14	000 ⇄ 255	0–100%
42	Blaauw 14	000 ⇄ 255	0–100%
43	Rood 15	000 ⇄ 255	0–100%
44	Groen 15	000 ⇄ 255	0–100%
45	Blaauw 15	000 ⇄ 255	0–100%
46	Rood 16	000 ⇄ 255	0–100%
47	Groen 16	000 ⇄ 255	0–100%
48	Blaauw 16	000 ⇄ 255	0–100%
49	Rood 17	000 ⇄ 255	0–100%
50	Groen 17	000 ⇄ 255	0–100%
51	Blaauw 17	000 ⇄ 255	0–100%
52	Rood 18	000 ⇄ 255	0–100%
53	Groen 18	000 ⇄ 255	0–100%
54	Blaauw 18	000 ⇄ 255	0–100%

Kanaal	Functie	Waarde	Percentage/Instelling
55	Rood 19	000 ⇔ 255	0-100%
56	Groen 19	000 ⇔ 255	0-100%
57	Blauw 19	000 ⇔ 255	0-100%
58	Rood 20	000 ⇔ 255	0-100%
59	Groen 20	000 ⇔ 255	0-100%
60	Blauw 20	000 ⇔ 255	0-100%
61	Rood 21	000 ⇔ 255	0-100%
62	Groen 21	000 ⇔ 255	0-100%
63	Blauw 21	000 ⇔ 255	0-100%
64	Rood 22	000 ⇔ 255	0-100%
65	Groen 22	000 ⇔ 255	0-100%
66	Blauw 22	000 ⇔ 255	0-100%
67	Rood 23	000 ⇔ 255	0-100%
68	Groen 23	000 ⇔ 255	0-100%
69	Blauw 23	000 ⇔ 255	0-100%
70	Rood 24	000 ⇔ 255	0-100%
71	Groen 24	000 ⇔ 255	0-100%
72	Blauw 24	000 ⇔ 255	0-100%
73	Rood 25	000 ⇔ 255	0-100%
74	Groen 25	000 ⇔ 255	0-100%
75	Blauw 25	000 ⇔ 255	0-100%
76	Rood 26	000 ⇔ 255	0-100%
77	Groen 26	000 ⇔ 255	0-100%
78	Blauw 26	000 ⇔ 255	0-100%
79	Rood 27	000 ⇔ 255	0-100%
80	Groen 27	000 ⇔ 255	0-100%
81	Blauw 27	000 ⇔ 255	0-100%

Contact Us

World Headquarters	
General Information	Technical Support
Address: 5200 NW 108th Ave. Sunrise, FL 33351 Voice: (954) 577-4455 Fax: (954) 929-5560 Toll Free: (800) 762-1084	Voice: (844) 393-7575 Fax: (954) 756-8015 Email: <a href="mailto:chauvetcs@chauvetlighting.com">chauvetcs@chauvetlighting.com</a>
	<b>Website</b> <a href="http://www.chauvetlighting.com">www.chauvetlighting.com</a>
EUROPE	
General Information	Technical Support
Address: Stokstraat 18 9770 Kruishoutem Belgium Voice: +32 9 388 93 97	Email: <a href="mailto:eutech@chauvetlighting.eu">eutech@chauvetlighting.eu</a>
	<b>Website</b> <a href="http://www.chauvetlighting.eu">www.chauvetlighting.eu</a>
General Information	Technical Support
Address: Unit 1C Brookhill Road Industrial Estate Pinxton, Nottingham, UK NG16 6NT Voice: +44 (0) 1773 511115 Fax: +44 (0) 1773 511110	Email: <a href="mailto:uktech@chauvetlighting.com">uktech@chauvetlighting.com</a>
	<b>Website</b> <a href="http://www.chauvetlighting.co.uk">www.chauvetlighting.co.uk</a>
MEXICO	
General Information	Technical Support
Address: Av. de las Partidas 34 - 3B Zona Industrial Lerma Lerma, Edo. de México, CP 52000 Voice: +52 (728) 285-5000	Email: <a href="mailto:servicio@chauvet.com.mx">servicio@chauvet.com.mx</a>
	<b>Website</b> <a href="http://www.chauvet.com.mx">www.chauvet.com.mx</a>

Outside the U.S., United Kingdom, Ireland, Mexico or Benelux, contact the dealer of record. Follow the instructions to request support or to return a product. Visit our website for contact details.

