

---

VARI\***LITE**



VL800 EVENTWASH  
QuickStart Guide

# Introduction

---

## About This Guide

This Quickstart Guide is intended for a knowledgeable user to unpack, install, and use the VL800 EVENTWASH in a short time period. For the complete manual in PDF format, please visit our web site at: [www.Vari-Lite.com](http://www.Vari-Lite.com) and click the user manual download link on the product downloads page. The complete manual provides you all information related to accessories, menu structures, DMX channel mapping/modes, and care for your new luminaire.

---

### WARNING:



It is important to read ALL accompanying safety and installation instructions to avoid damage to the product and potential injury to yourself or others. AVERTISSEMENT: Il est important de lire toutes les instructions de sécurité et d'installation d'accompagnement pour éviter d'endommager le produit et les risques de blessures à vous-même ou les autres.

---

### Notes:

- For complete product description, feature and specifications, refer to product datasheet on the Vari-Lite web site at [www.Vari-Lite.com](http://www.Vari-Lite.com)
  - For power requirements, refer to “**Current vs. Voltage**” on **page 10**.
- 

## Additional Documentation

For more information on installing DMX512 control systems, the following publication is available for purchase from the United States Institute for Theatre Technology (USITT), “Recommended Practice for DMX512: A Guide for Users and Installers, 2nd edition” (ISBN: 9780955703522). USITT Contact Information:

**USITT**  
**315 South Crouse Avenue, Suite 200**  
**Syracuse, New York 13210-1844 USA**  
**Phone: 800-938-7488 or +1-315-463-6463**  
**Fax: 866-398-7488 or +1-315-463-6525**  
Web Site: [www.usitt.org](http://www.usitt.org)

---

## Customer Service

### Our Goal

At Vari-Lite, we are committed to providing you the highest quality in customer service. Our comprehensive resources are available to help your business succeed and ensure you get the full benefit of being a Vari-Lite customer. Whether your needs are telephone troubleshooting assistance, product training or technical service, our full-time staff of experienced professionals are on-hand to provide support.

**How to Reach Us**

For assistance in your area, call the dealer from which your product was purchased.

*or* Contact an Authorized Service Center

*or* Contact the Vari-Lite Customer Service Department, 7am-6pm CST Monday through Friday, at the following:

phone: 1-877-VARI-LITE (1-877-827-4548) or +1-214-647-7880

e-mail: [entertainment.service@signify.com](mailto:entertainment.service@signify.com)

---

Note: Performing maintenance procedures may void the product warranty. Refer to the Vari-Lite Limited Warranty card included in the product shipping package for more information. For all service and maintenance issues, please contact your local Authorized VARI\*LITE Dealer or Service Center.

---

**Additional Resources**

For additional resources and documentation on this product, please visit our website at [www.Vari-Lite.com](http://www.Vari-Lite.com) and follow the Support link.

Version as of: **July 2<sup>nd</sup>, 2020**  
VL800 EVENTWASH QuickStart Guide  
©2019 Signify Holdings. All rights reserved.

# Compliance & Safety Notices

---

## Compliance

### SAFETY Standards

We, Signify, 10911 Petal Street, Dallas, Texas 75238 declare under our responsibility for the products contained herein are in conformity with the essential requirements of the following European Directives and Safety standards for United States and Canada.

EN 60598-2-17

### EMC Standards

This equipment has been tested and found to comply with the limits for a Class B digital device pursuant to Part 15 of FCC Rules. These limits are designed to provide reasonable protection against harmful interference when this equipment is operated in a commercial environment. This equipment generates, uses, and can radiate radio frequency energy and, if not installed and used in accordance with Vari-Lite system, service, and safety guidelines, may cause harmful interference to radio communications.

CFR47 FCC Part 15 Class B

EN 61547

EN 55015

EN61000-3-2

EN61000-3-3

ICES-003

EN62778

AS/NZS CISPR 15

UL 1573

CSA C22.2#166

---

## Safety Notice

It is extremely important to read ALL safety information and instructions provided in this manual and any accompanying documentation before installing and operating the products described herein. Heed all cautions and warnings during installation and use of this product.

Safety symbols used throughout this manual are as follows:



**CAUTION** advising of potential damage to product.



**WARNING** advising of potential injury or death to persons.

GENERAL INFORMATION PERTAINING TO PROTECTION AGAINST ELECTRICAL SHOCK, FIRE, EXPOSURE TO EXCESSIVE UV RADIATION, AND INJURY TO PERSONS CAN BE FOUND BELOW.

**WARNING:**

**INSTRUCTIONS FOR CONTINUED PROTECTION AGAINST FIRE**

1. Luminaires may be mounted on any type of surface as long as mounting instructions are followed. See instructions detailed in this manual.
2. Note distance requirement from combustible materials or illuminated objects for VARI\*LITE luminaires.

**WARNING::**

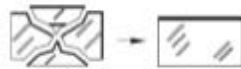
**INSTRUCTIONS FOR CONTINUED PROTECTION AGAINST ELECTRICAL SHOCK**

1. VARI\*LITE luminaires are designed for dry locations only. Exposure to rain or moisture may damage luminaire.
2. Disconnect power before servicing any VARI\*LITE equipment.
3. Servicing to be performed by qualified personnel only.

**WARNING:**

**INSTRUCTIONS FOR CONTINUED PROTECTION AGAINST EXCESSIVE EXPOSURE TO UV RADIATION**

1. Many VARI\*LITE luminaires use a LED that produces UV radiation. DO NOT look directly at LED.
2. It is hazardous to operate luminaires without lens or shield. Shields, lenses, or ultraviolet screens shall be changed if they have become visibly damaged to such an extent that their effectiveness is impaired. For example, by cracks or deep scratches. Replace any cracked or protective shields.



**WARNING:**

**INSTRUCTIONS FOR PROTECTION AGAINST INJURY TO PERSONS**

1. Exterior surfaces of the luminaire will be hot during operation. Use appropriate safety equipment (gloves, eye protection, etc.) when handling and adjusting hot equipment and components.

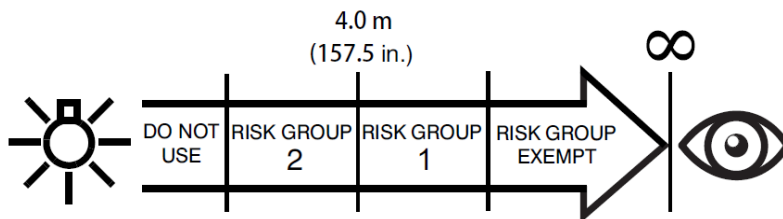
**WARNING:**

**RFINTERFERENCE**

This is a Class A product. In a domestic environment this product may cause radio interference, in which case, the user may be required to take adequate measures..

**WARNING:**

Caution! Do not stare into the beam, RG2



**WARNING:**

The light source contained in this luminaire shall only be replaced by the manufacturer or his service agent or a similar qualified person.

---

**Notes de sécurité**

Avant de procéder à l'installation des produits décrits dans ce guide et de les mettre en marche, il est extrêmement important de lire TOUS les renseignements et TOUTES les directives de sécurité contenues dans ce guide ainsi que toute documentation jointe. Tenir compte de tous les avertissements et suivre toutes les précautions pendant l'installation et l'utilisation de cet appareil.



**ATTENTION** Ce symbole annonce que l'appareil risque d'être endommagé.



**AVERTISSEMENT** Ce symbole annonce qu'il y a risque d'accident grave ou même fatal.

CETTE SECTION CONTIENT DES INFORMATIONS GÉNÉRALES POUR SE PROTÉGER CONTRE LES DÉCHARGES ÉLECTRIQUES, LES INCENDIES, L'EXPOSITION EXCESSIVE AUX RAYONS UV ET TOUT AUTRE ACCIDENT POUVANT ENTRAÎNER DES BLESSURES.

**AVERTISSEMENT ,  
DIRECTIVES POUR SE PROTÉGER CONTRE LES INCENDIES**

1. Les luminaires peuvent être fixés sur tout type de surface tant que les directives de montage sont respectées. Voir les explications détaillées dans ce guide.
2. Vérifier la distance à respecter entre les matériaux combustibles ou les objets illuminés et les luminaires VARI\*LITE.

**AVERTISSEMENT:  
DIRECTIVES POUR SE PROTÉGER CONTRE LES DÉCHARGES ÉLECTRIQUES**

1. Les luminaires VARI\*LITE sont conçus pour une utilisation au sec uniquement. Une exposition à la pluie et à l'humidité risque d'endommager le luminaire.
2. Débrancher l'appareil avant de procéder à la révision de tout matériel VARI\*LITE.
3. Les révisions doivent être effectuées uniquement par des personnes qualifiées.

**AVERTISSEMENT:  
DIRECTIVES POUR SE PROTÉGER CONTRE UNE EXPOSITION EXCESSIVE AUX RAYONS UV**

1. Plusieurs luminaires VARI\*LITE utilisent une LED qui produit des rayons UV. NE PAS fixer son regard sur la LED
2. L'utilisation des luminaires sans lentille ou blindage pose des risques. Tous blindages, lentilles ou écrans ultraviolet visiblement endommagés au point que leur efficacité en est affectée doivent être remplacés, par exemple s'il y a des fissures ou de profondes rayures..

**AVERTISSEMENT:  
DIRECTIVES POUR SE PROTÉGER CONTRE LES ACCIDENTS POUVANT ENTRAÎNER DES BLESSURES**

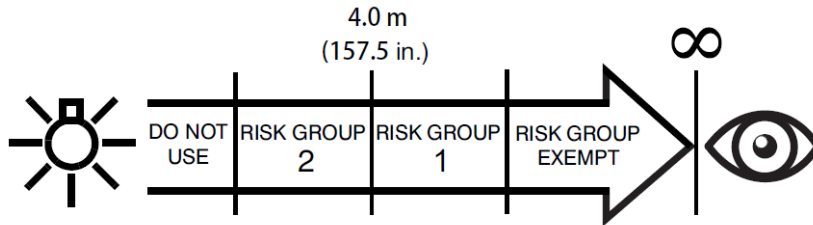
1. Les surfaces externes du luminaire deviennent brûlantes quand l'appareil est en marche. Pour manœuvrer ou ajuster des appareils brûlants et leurs composants, se protéger suffisamment (gants, protection pour les yeux, etc.).

**AVERTISSEMENT:  
INTERFÉRENCE RF**

Cet appareil est de Classe A. Dans un environnement domestique, cet appareil peut causer des interférences radio, et si c'est le cas, l'utilisateur peut avoir à prendre des mesures adéquates..

**AVERTISSEMENT:**

Mise en garde! Ne regardez pas dans le faisceau, RG2



**AVERTISSEMENT:**

Le module de led contenue dans ce luminaire ne doit être remplacée que par le fabricant, son agent de service ou une personne qualifiée.

**Other**

***Operational Temperature / Température de fonctionnement***

- VL800 EVENTWASH has one operational mode. Refer to **Table 1-1, “VL800 EVENTWASH Environmental Operational Temperatures”** for information on environment temperature ranges associated with this mode.
- VL800 EVENTWASH Luminaire a un mode opérationnel. Reportez-vous à **Table 1-1, “VL800 EVENTWASH Environmental Operational Temperatures”** pour des informations sur les plages de température environnementales associées à ce mode.

**Table 1-1: VL800 EVENTWASH Environmental Operational Temperatures**

<b>Minimum to Maximum Environmental Temperature</b>	
<b>C</b>	<b>F</b>
0° to 40°	32° to 104°

**Part Numbers**

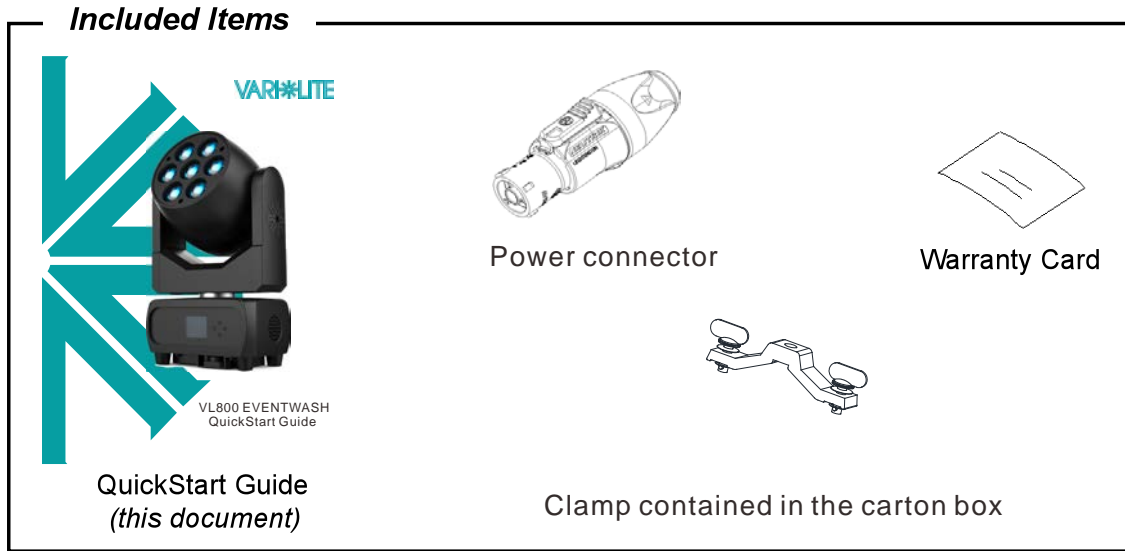
<b>VL800 EVENTWASH Numbers</b>	
VL800 EVENTWASH	912400575003



# About the VL800 EVENTWASH

## Included Items

The following illustration shows all items included with the luminaire:



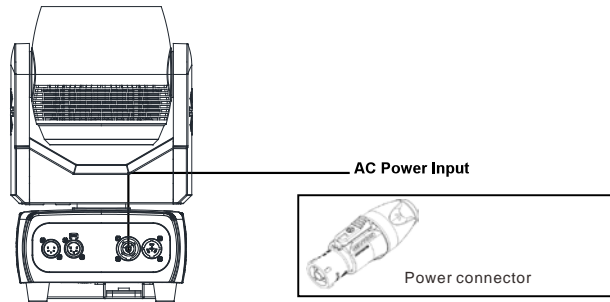
Note: Please check with Vari-Lite or Authorized VARI\*LITE Dealer for availability on accessories

# Connecting Power and Data

## Connecting Power

The luminaire requires standard AC power distribution from 100-240 VAC, 50/60 Hz. Current required depends on the AC supply voltage and product model. Refer to [“Current vs. Voltage” on page 10](#) for all models covered in this manual.

Note: The mating power connector is supplied; however, you will need to purchase or construct a cable appropriate for your application.



**Figure 1: Power Connector**

Depending on the application, the luminaire’s AC input cable may require a different connector. If required, install a new connector meeting your requirements using the following wire color code reference:

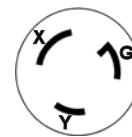
Wire*	Connection
Green/Yellow	AC Ground
Blue	AC Neutral
Brown	AC Line
* International (Harmonized) Standard	



**WARNING: DO NOT** connect to three-phase service in countries with 240 volt power.  
**AVERTISSEMENT: NE PAS** se connecter au service en trois phases dans les pays avec puissance de 240 volts.

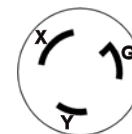
For single-phase power at 240 volts RMS:

Connection	Pin
AC Neutral	X
AC Line	Y
Ground (Earth)	G



For three-phase power at 200 volts RMS:

Connection	Pin
Phase 1	X
Phase 2	Y
Ground (Earth)	G





**WARNING:** It is not recommended to power any VARI\*LITE luminaire from a dimmer - even in 'NONDIM' mode. Dimmer and non-dim modules are not suitable sources of power because their output modifies the AC wave form. This may work for a short time, but will eventually result in power problems, luminaire mis-operation and/or failure and may void the luminaire's warranty.

**AVERTISSEMENT:** Il n'est pas recommandé pour alimenter un luminaire VARI\*LITE d'un gradateur - même en mode 'NONDIM'. Modules de gradation et non sombres ne sont pas des sources appropriées de pouvoir parce que leur production modifie la forme d'onde AC. Cela peut fonctionner pendant une courte période, mais finira par entraîner des problèmes d'alimentation, luminaires mauvais fonctionnement et / ou l'échec et peut annuler la garantie de l'appareil.

## Current vs. Voltage

Table 1-2, VL800 EVENTWASH Luminaire - Current vs. Voltage (7X40W LED) provides the luminaire's current draw at specific voltages. Total Luminaire Current is calculated with the LED on and all motors sequencing.



**WARNING:** It is the responsibility of the user to adequately protect supply source with a correct size and type circuit breaker and not overload circuits. **AVERTISSEMENT:** Il est de la responsabilité de l'utilisateur de protéger adéquatement la source d'alimentation avec une taille correcte et le disjoncteur de type et surchargez pas les circuits.

**Table 1-2: VL800 EVENTWASH Luminaire - Current vs. Voltage (7X40W LED)**

AC Voltage at 60HZ	Total Luminaire Current (Motor + LED Current)
100V	3.40A
110V	3.08A
120V	2.81A
130V	2.59A
200V	1.67A
210V	1.58A
220V	1.51A
230V	1.45A
240V	1.39A

## Connecting Data

A maximum of 32 luminaires may be connected in any one DMX data link.

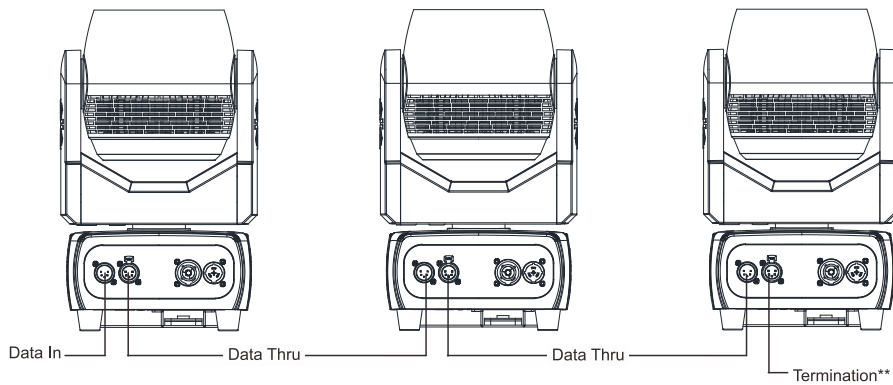
A maximum of 3 luminaries may be connected in 120V, 60Hz.

A maximum of 5 luminaries may be connected in 230V, 50Hz

Note: This maximum limit applies to the luminaire "daisy chain" only. Your system or console may require fewer luminaires on a single data link path. Consult your console documentation for more information.

**To connect power and data:**

- Step 1. Connect data cable from console to first luminaire in chain at DATA IN connector.
- Step 2. If required, connect additional data cables from DATA THRU connectors to DATA IN
- Step 3. At last luminaire in link, install male termination connector at DATA THRU connector.  
(Luminaires and other devices on the same DMX chain may not function properly without termination)



<b>VL800 EVENTWASH Luminaire Channel Requirements*</b>		
<b>DMX512 Channels</b>	<b>Description</b>	<b>Menu Display</b>
22 Channels	16BIT 1 Cell (Default)	22

*\*\*DMX terminator required for last fixture on DMX line.*

**Figure 2: Data Link**

- Step 4. Connect AC Input Cable connector to power input source.
- Step 5. Dress AC input and data cables and secure them so that they will not interfere with luminaire head and yoke movement.

# Installation Procedures

## Floor Mounting the Luminaire

This luminaire included in this manual are designed to sit directly in a floor installation application. When used in this type of application, be sure to leave enough space around the luminaire to allow proper, uninterrupted airflow for cooling and movement.

## Hanging the Luminaire

The VL800 EVENTWASH Luminaire can be hung horizontally or vertically from any structure designed to work with the type of load created Clamp and Quick lock fastener or other mounting hardware are required. Many compatible truss hooks are available from different manufacturers for your particular needs.

One Quick-lock fastener per luminaire is required. If mounting method does not use truss hooks, two attachment points per luminaire, are required. Always ensure the diameter of safety cable is at least 4 mm, which can support at least 12 times of weight of unit.

### ***Install mounting hardware and brackets:***

Step 1. Bolt each clamp to the Omega holder with screw and lock nut through the hole in the holder as shown in Figure 3

Note: Various types of truss hooks can be used. The Clamp (as shown in the example above) as well as many other standard hooks, can be ordered separately.

Step 2. Faster the omega holders on the bottom of the base by inserting quick-lock fasteners into the holes of the base and tighten fully clockwise.

Step 3. Hang the fixture to the support through clamp and faster the screws, faster the safety cable through the bottom of the base and over the support.

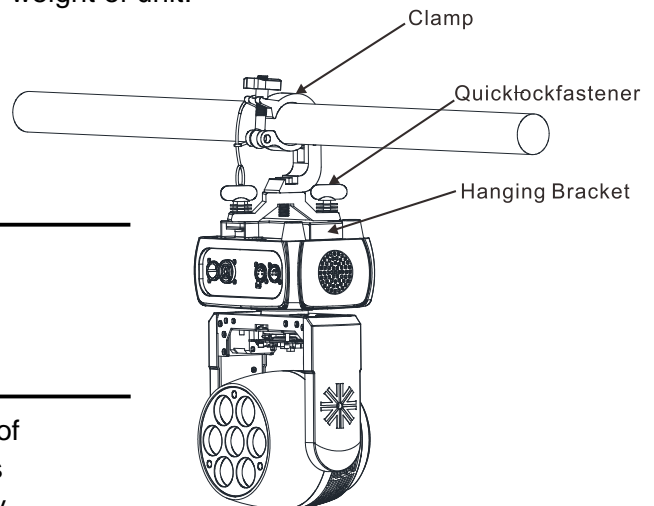
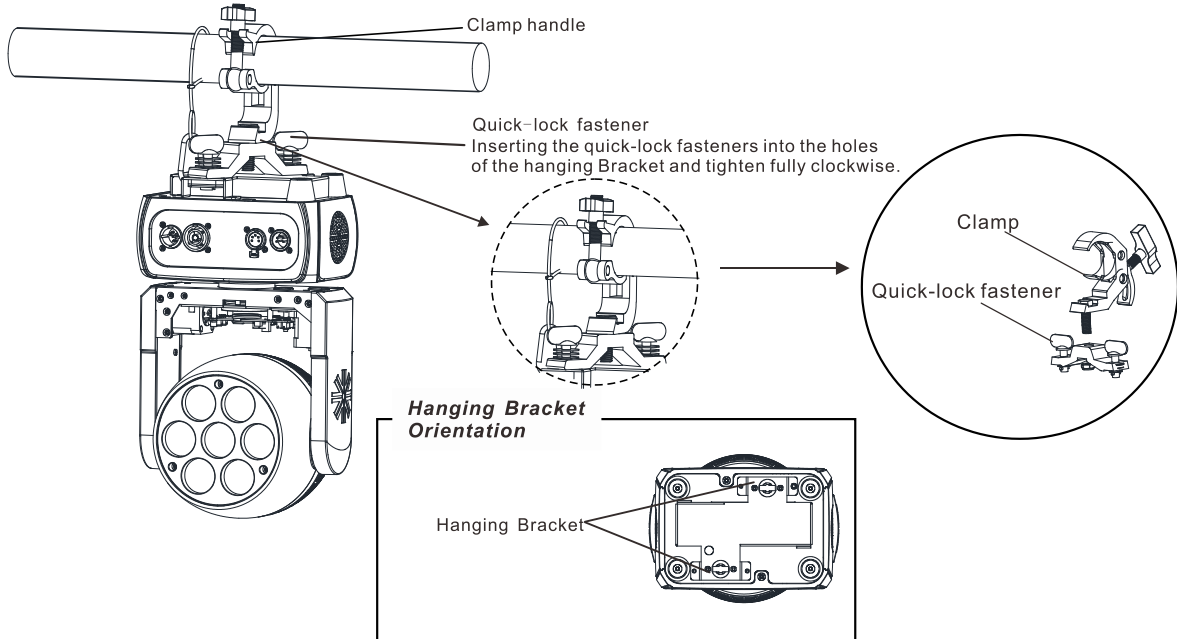


Figure3QuicklockfastenerInstallation



**WARNING:** Ensure that the bracket locking mechanism is fully seated after the bracket is installed on the luminaire.



**Figure 4: Installing Brackets on Luminaire Enclosure**

***Installing in Truss:***

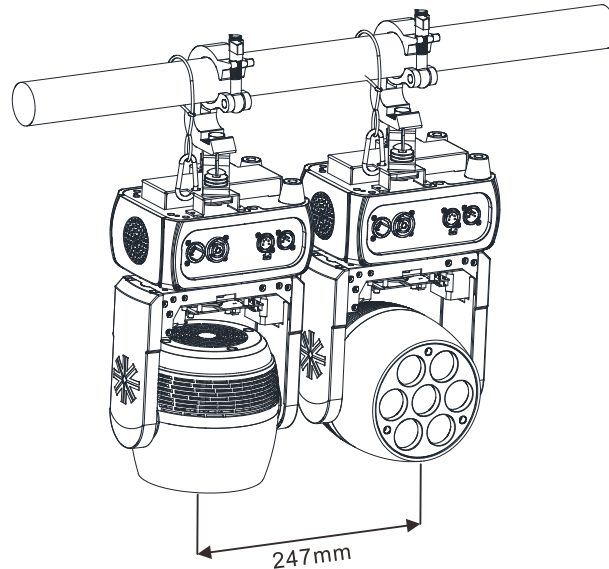
- Step 1. Lift luminaire into mounting position.
- Step 2. Secure in place with clamp handle. Ensure clamp handle hardware that Quick-lock fastener hook in place (eg. wing bolt) is properly tightened and that luminaire is fully supported.
- Step 3. Attach safety cable (as required) as follows (refer to Figure 5):
  - a. Loop safety cable at least once around safety cable anchor point rod.

b. Loop safety cable at least once around truss/pipe and secure around pipe.

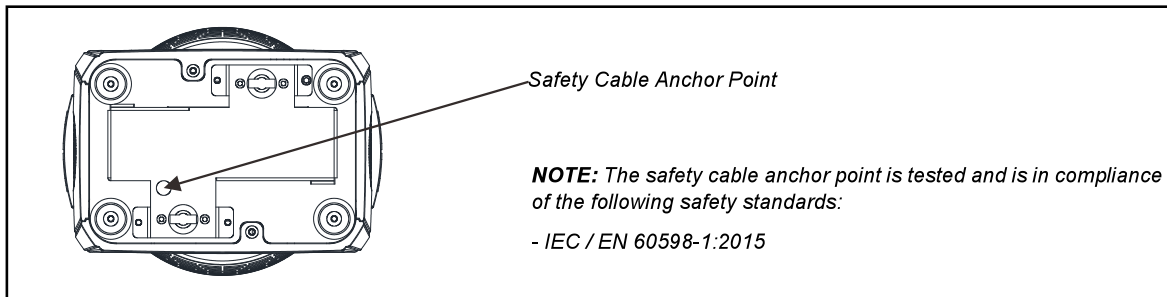


**Safety Cable:** Recommended for hanging installations. May be required by local codes. Safety cable is sold separately.

**Câble de sécurité:** Recommandé pour les installations pendaison. Peut être exigé par les codes locaux. Câble de sécurité est vendu séparément.



Note, truss hooks shown are sold separately. Truss and pipe by others.



**Figure 5: Safety Cable Installation / Luminaire Hanging**

Step 4. Make sure hanger is disengaged so luminaire moves freely.

Step 5. Connect power and data cables according to procedure given in [“Connecting Data”](#) on page 9.

When hanging the luminaire in a side hang position, natural convection and the designed direction of the inlet and exhaust cooling fans dictate that the inlet should be closest to the floor and the exhaust should be towards the ceiling. This eliminates the possibility of one luminaire blowing exhaust air into the inlet of the luminaire next to it when the luminaires are side-by-side.

If the luminaires are stacked on top of one another in a side hang, a 45° enclosure orientation with the fan inlet closest to the floor.

# Menu Operation

---

## LCD Display and Menu System

The VL800 EVENTWASH Luminaire's LCD Display and Menu System provide local control for accessing the following fixture's settings:

- Address – to set the DMX address
- Configure – various parameter settings, set LED, display, reset defaults
- DMX – change the map, set address,
- Fixture – fixture status, reboot, software version, view fixtures hours, crossload, service
- Manual Control – to set the intensity, all functions
- Test – to test functions of parameters

The menu system is controlled at the Menu Display available at the enclosure input panel. If there are multiple luminaires in a system, any settings or changes would need to be made at each LCD Menu as desired.



## Menu Controls

The menu system is controlled by an [MENU], [Enter] and two Arrow (▲▼) buttons. These buttons function are shown in Figure 7.

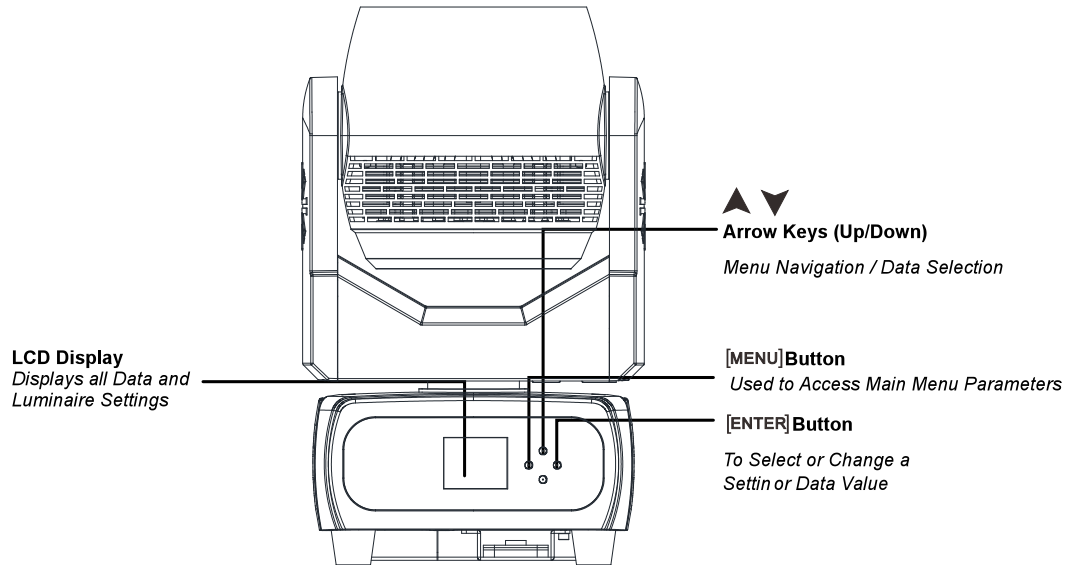


Figure 7: Menu Control

## LCD Display and Menu System Operation

The LCD Display Menu system consists of several categories. Use the Menu Buttons to access and make changes to the menu items. When the desired menu item is reached, press the desired Menu Button to display the menu options and to navigate and configure the menu options as required.

### **To navigate and access menu setting/selections:**

- Step 1. Make sure unit is powered and turned on.
- Step 2. Press [MENU] to access menu categories.
- Step 3. Use two Arrow (▲▼) buttons to navigate through the various options and settings.
- Step 4. Once menu item is reached, press [Enter] to access the menu item parameters.
- Step 5. Make changes to parameters as desired.
- Step 6. Press [Enter] button to accept changes.

## DMX Address

### **To set, edit, and save a DMX address:**

- Step 1. Press [MENU].
- Step 2. Press [Up] / [Down] (▲▼) arrows until Address (DMX Address) appears. Press [Enter].
- Step 3. Use [Up] / [Down] (▲▼) arrow buttons to select the desired digit.
- Step 4. Once all digits are set in DMX address, press [Enter] to set.
- Step 5. DMX will display and is saved.

## Status Bar

The Status Bar (as illustrated in Figure 8) is present at all times and displays luminaire operational information of the luminaire. The Status Bar contains the following information:



Figure 8: LCD Display Status Bar

- LED – indicates current LED state - ON or OFF.
- MODE – indicates current mode, standard, studio and whisper mode.
- ERR – Displays a number indicating the total amount of current errors can cycle through short text descriptions of each error. Example: “Fan” or “LED”. When errors are present, messages will appear in red text. When no errors are present, NO will display.
- MAP – indicates 16bits or 8bits.
- ADDR – Displays the current DMX address for the fixture. NOTE, when the fixture does not detect a DMX input signal, the DMX address text will display in red text.

### Quick Reference Menu Key Shortcuts

Menu key shortcuts	Function
Holding Menu at Power up	bypass motor
Menu + Up (▲)	ReCAL All
Menu + Down (▼)	Pan / Tilt Deactivated
Menu + Enter	Factory Defaults
Enter + Up (▲)	Lamp On
Enter + Down (▼)	Lamp Off
Up (▲) + Down (▼)	Display Invert

## Quick Reference DMX Maps

The summary list DMX maps for the VL800 EVENTWASH are indicated in Table 1-3.

Table 1-3: VL800 EVENTWASH 16BIT 1 Cell Enhanced DMX Channel Summary Listing

DMX Channel	Description	DMX Channel	Description
1	Intensity High	12	Blue High
2	Intensity Low	13	Blue low
3	Pan High	14	White High
4	Pan Low	15	White low
5	Tilt High	16	Color Preset
6	Tilt Low	17	Strobe Speed
7	Zoom	18	Strobe Control
8	Red High	19	Focus Timing
9	Red Low	20	Optics Timing
10	Green High	21	Color Timing
11	Green low	22	Control Channel



Vari-Lite  
10911 Petal Street  
Dallas, Texas 75238  
1.877.VARILITE  
1.214.647.7880  
[www. Vari-Lite. com](http://www.Vari-Lite.com)

©2019 Signify Holdings  
All rights reserved.